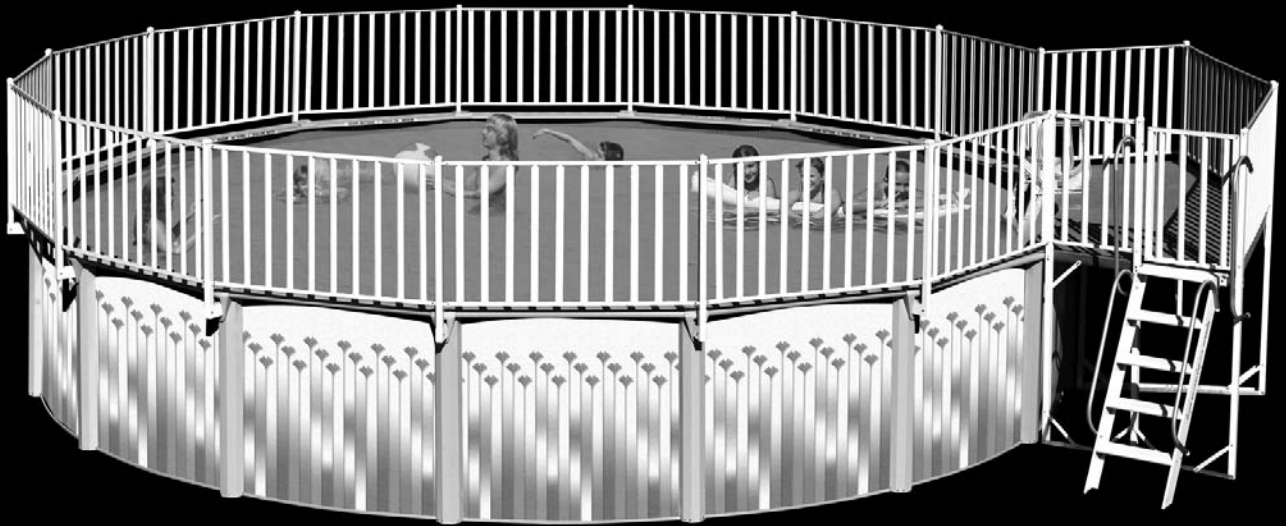


ASSEMBLY INSTRUCTIONS

3 PIECE & 5 PIECE FAN DECK



READ THROUGH AND UNDERSTAND ALL THE STEPS TO THIS INSTALLATION BEFORE ATTEMPTING TO INSTALL EITHER YOUR POOL OR YOUR DECK.


Swim'n Play, Inc.
Makers of Fine Above Ground Pools®

313 REGINA AVENUE
RAHWAY, NEW JERSEY 07065-4891

Phone: (732) 574-1500

Fax: (732) 574-1551

www.swimnplay.com

E-mail: info@swimnplay.com



DANGER

DO NOT DIVE OR JUMP into your pool. Your pool is approximately 4' deep. It is not designed for diving or jumping. If you dive or jump into your pool you run the risk of permanent injury or death. Alert all visitors and family of this and point out all warning labels supplied.

ADULT SUPERVISION REQUIRED

GENERAL

Take time to follow the instructions and do things right the first time. Read all instructions prior to starting. Before you start, check to see that you have the correct number of parts. Use your parts list which is broken down by carton.

The manufacturer reserves the right to revise, change or modify construction of their product.

CONTRACT INSTALLATIONS

The manufacturer is in no way affiliated with any professional installer. Therefore the manufacturer can assume no responsibility, for errors in installation by the home owner or said professional installer. If you have your deck installed by others, please supervise to be sure they comply with THE proper installation techniques shown. Their past experience or short cuts may not cover the latest improvements in our decks. Do not allow any short cuts of any nature.

LOCAL CODES

Local building code may require obtaining a building permit and may have regulations on set backs, barriers, devices and other conditions that must be followed. Any after market or home built deck should be built to the local building code requirements, including load capacity and fencing requirements.

Local electrical code may require obtaining a building permit and may have regulations on setbacks, devices and other conditions that must be followed.

All electrical outlet connections should be a minimum of 5 feet from the outside perimeter of the wall of the pool. From 5-10 feet there should be either a fixed connection (outlet box) or twistlock connection with a GFCI. Connect power cords to a 3-wire grounding-type outlet only.

Severe electrical shock could result if you install your pump or filter on a deck. They could fall into the water, causing severe shock or electrocution. Do not install on a deck or other surface at, above or slightly below the top SEAT of the pool.

BARRIER REQUIREMENTS

If the distance from the top of the assembled pool is less than 48" vertically from the surrounding grade, a fence or barrier is needed to surround the pool with a minimum height of 48".

A barrier is necessary to provide protection against potential drowning and near drowning and is not

a substitute for constant supervision of children. A barrier is a fence, wall, or a combination thereof which completely surrounds the swimming pool and obstructs access to the swimming pool. Barriers must comply with local and national building codes and the US Consumer Product Safety Commission.

These ARE minimum fencing and barrier requirements. Check your local building codes for other requirements they may request. Optional fencing kits are available, Please contact your local dealer.

If pool covers are used for safety barriers they should comply with ASTM F 1346 "Standard Performance Specification for Safety Covers and Labeling Requirements for All Covers for Swimming Pools, Spas and Hot Tubs."

GETTING STARTED

Unpack and identify all the parts to your deck using the enclosed packing list.

TO ASSEMBLE THE DECK YOU WILL NEED:

1. DRILL WITH A 7/64", 5/32", 3/16" AND 5/16" BIT
2. 7/16" WRENCH
3. #3 POINT PHILLIPS SCREW DRIVER
4. MEASURING TAPE AND MARKING PENCIL

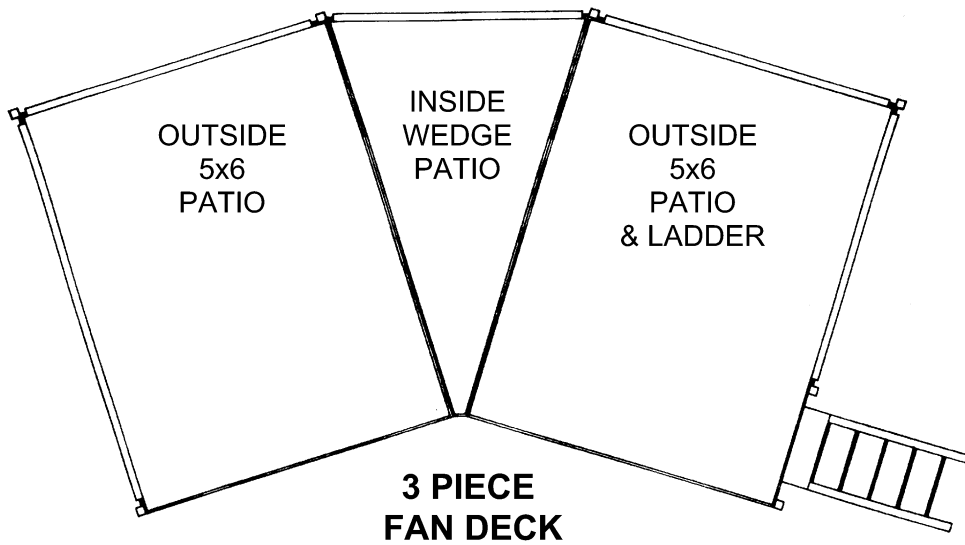
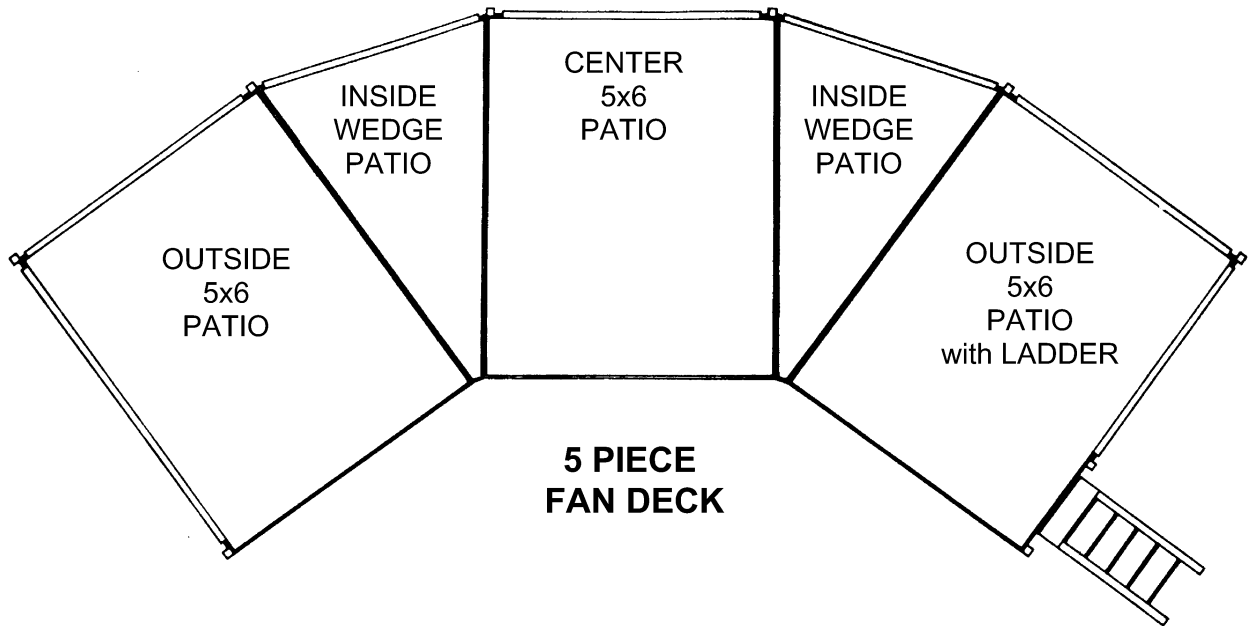
ATTENTION DECKS ARE MADE FOR 52 INCH DEEP POOLS

IF YOUR POOL IS 48" DEEP
YOU WILL HAVE TO DIG A TRENCH
OR CUT THE BOTTOM OF THE POSTS
(4 INCHES) IN ORDER TO LEVEL THE HEIGHT OF
THE DECK WITH THE HEIGHT OF YOUR POOL.

**THE BASE OF THE DECK MUST BE LEVEL
WITH THE TOP LEDGE OF YOUR POOL**

ASSEMBLY DRAWING

Use the drawings below for reference while assembling your deck.



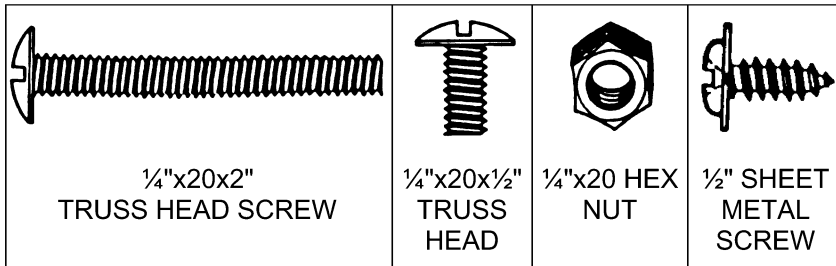
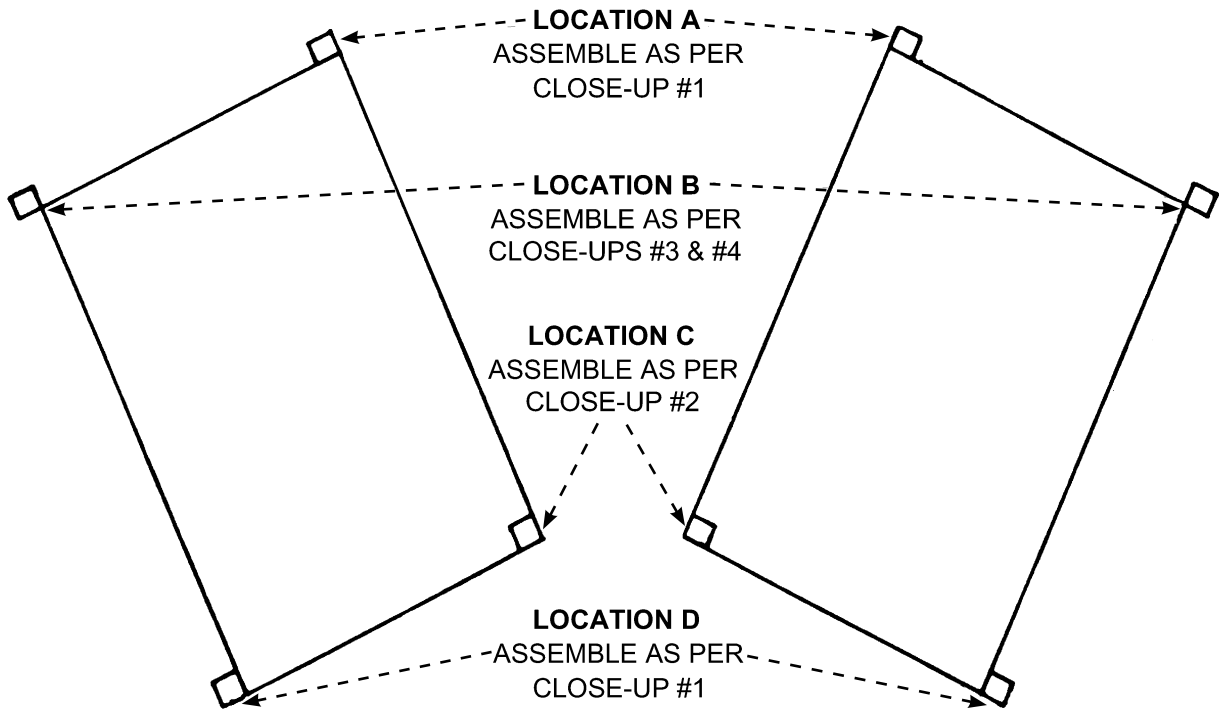
1

Clear out and level the ground in the location where your deck is to be installed.

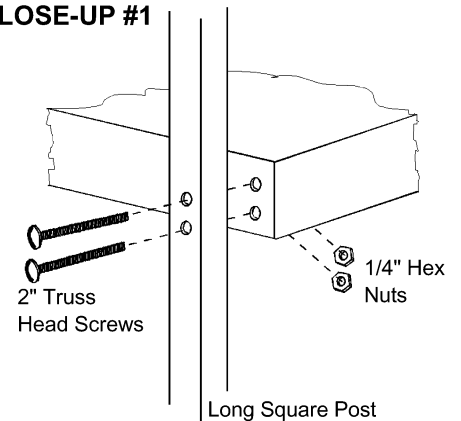
2

IMPORTANT: ONLY HAND TIGHTEN SCREWS AT THIS TIME

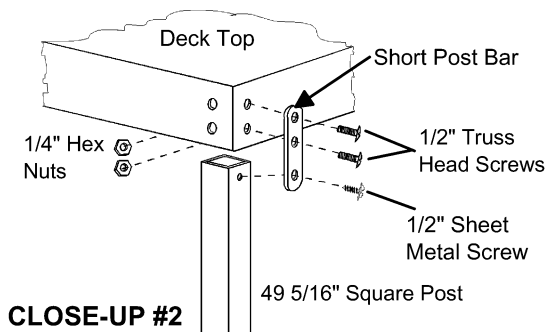
Elevate your two Outside 5x6 Patios using either patio blocks or saw horses. Refer to the illustrations below to attach the Square Posts at the proper locations.



CLOSE-UP #1

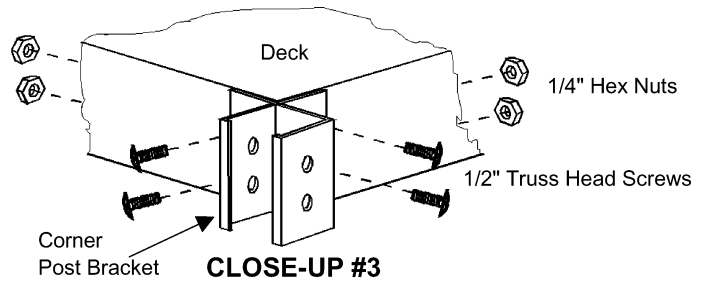


Attach Long Square Posts at "Location A" and "Location D" (a total of 4 locations) referring to Close-up #1 at right for proper assembly procedure.

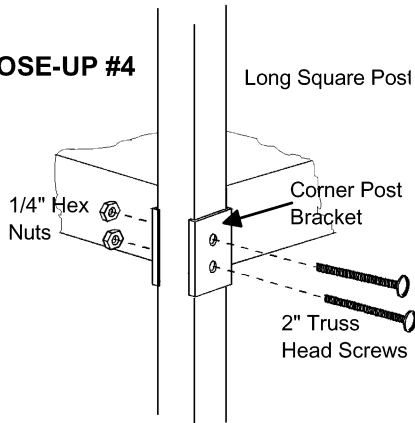


Bolt 49 5/16" Posts at "Location C" (the underside inside corner of each deck) using Close-up #2 at left for proper assembly procedures.

At "Location B" (far outside corners of your decks) illustrated on previous page, bolt on the Corner Post Brackets using four 1/4" x 20 x 1/2" Truss Head Screws and Nuts. Refer to Close-up #3 at right for proper assembly procedure.



CLOSE-UP #4



Bolt one Long Square Post to each Corner Post Bracket (see Close-up #4 at left).

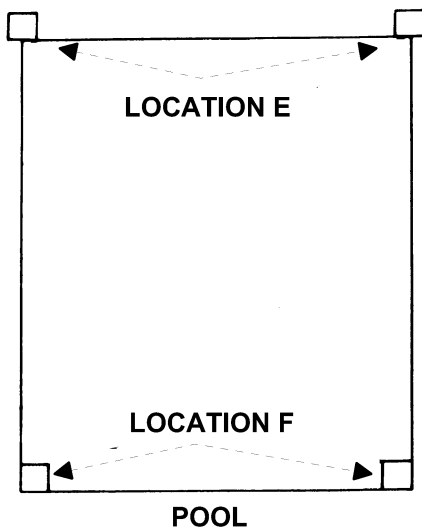
3

IMPORTANT: ONLY HAND TIGHTEN SCREWS AT THIS TIME

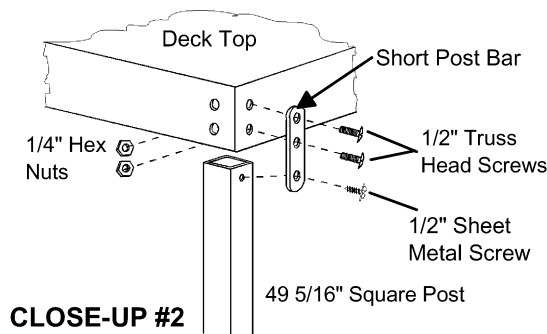
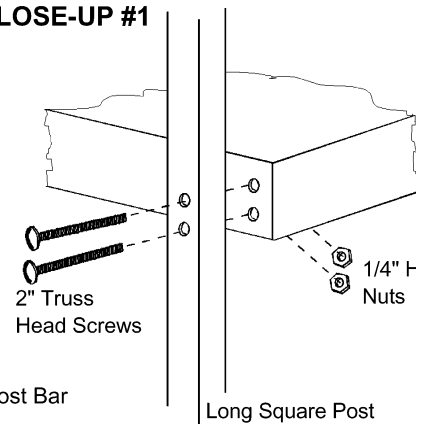
FOR THE 5-PIECE DECK ONLY

For the 5-Piece Deck only, elevate the Center 5x6 Patio in the same manner as in Step #2. Use the illustrations below to properly attach Posts to the Center 5x6 patio Deck.

5x9 CENTER PATIO (Used Only on 5-Piece Deck)



CLOSE-UP #1

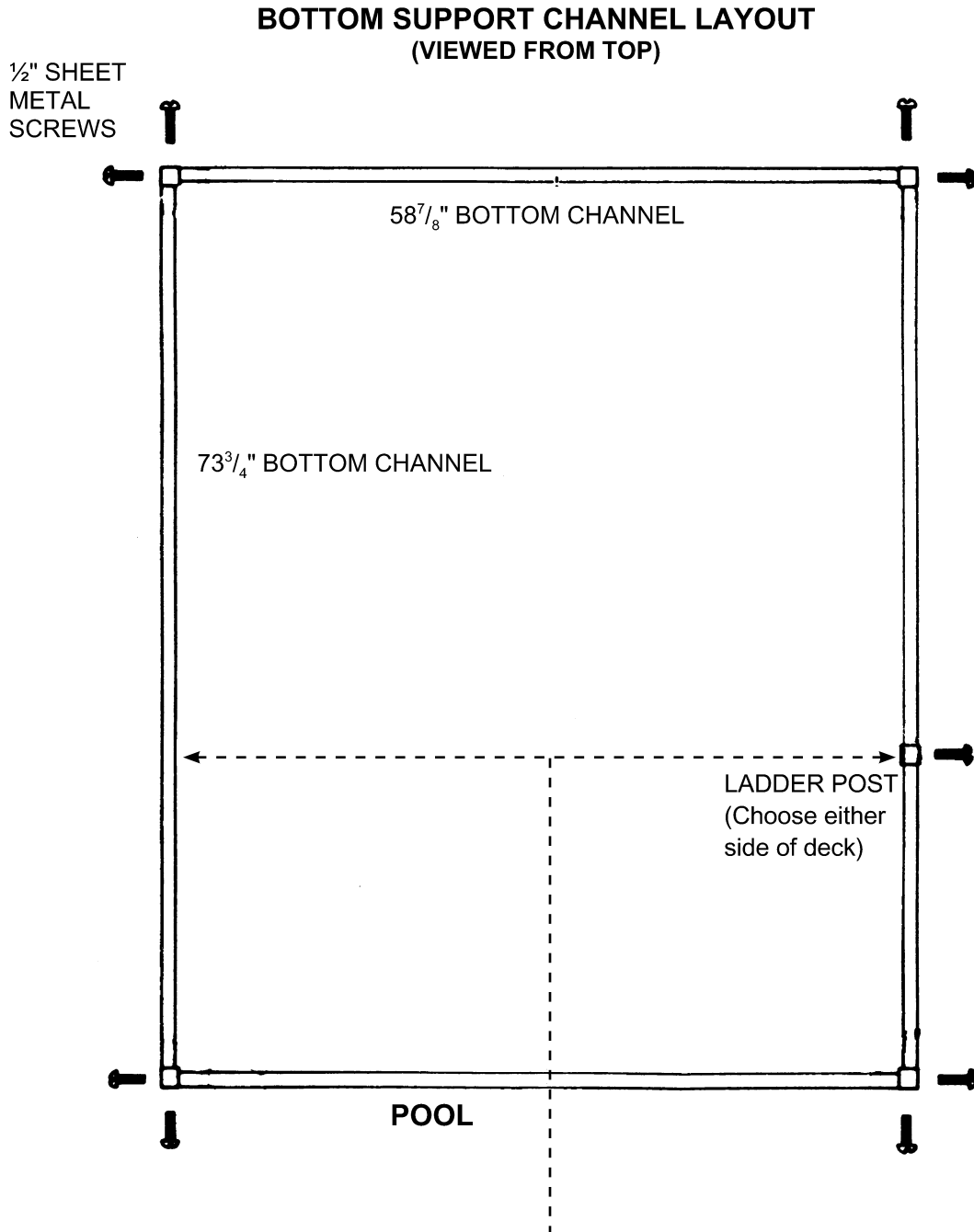


Attach Long Square Posts at "Location E" referring to Close-up #1 above for proper assembly procedure. Bolt 49 5/16" Posts at "Location F" (the underside front corners of deck) using Close-up #2 above.

4

IMPORTANT: ONLY HAND TIGHTEN SCREWS AT THIS TIME

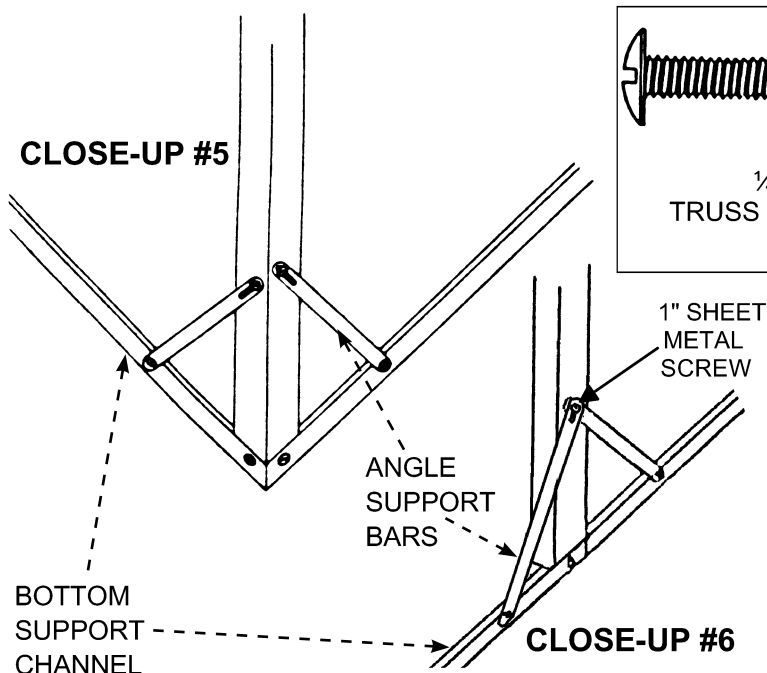
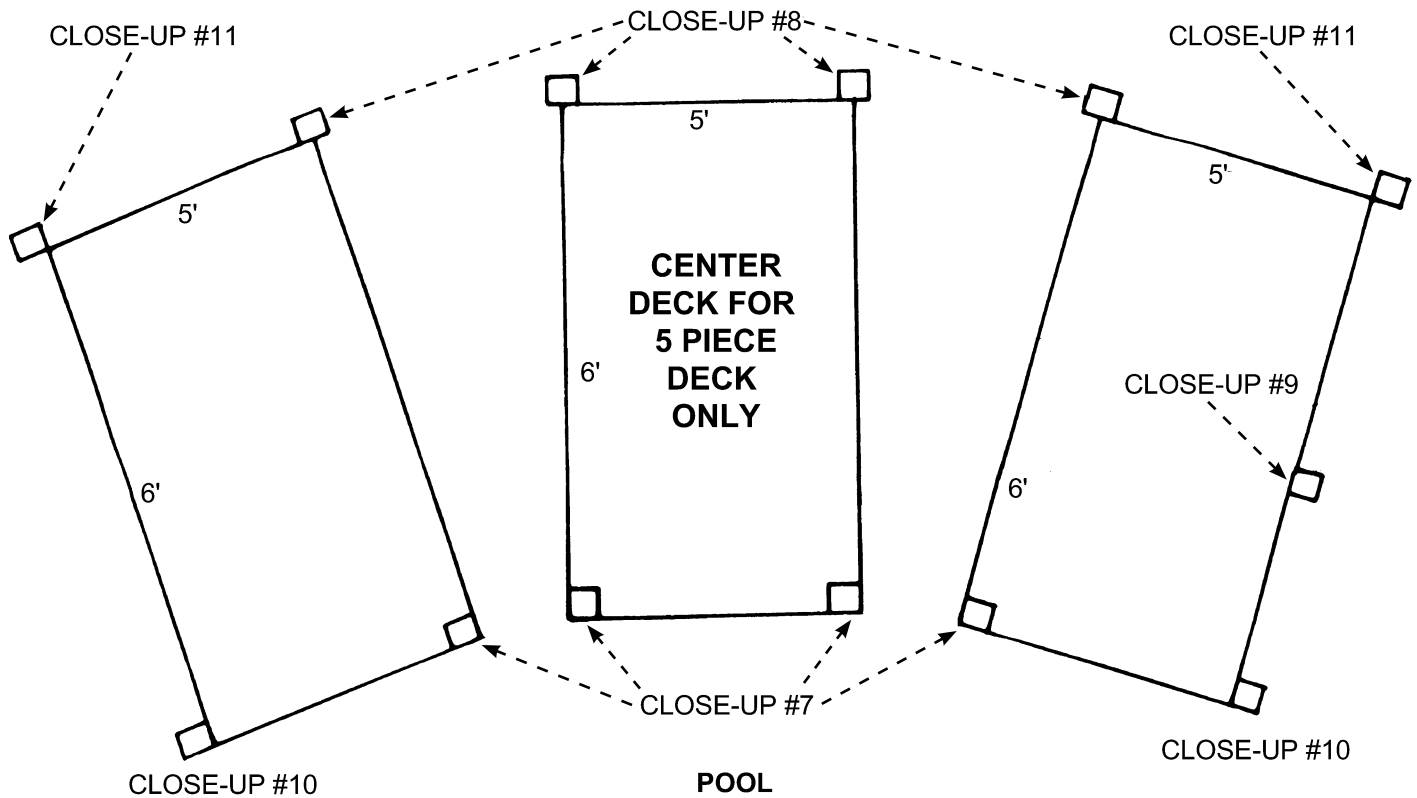
Attach the Bottom Support Channels (long "L" shaped pieces) to the bottoms of the Posts supporting the 5x6 Patios using #12x $\frac{1}{2}$ " Sheet Metal Screws. The layout of the channels is shown below.

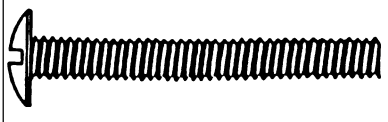





Choose the position of your Ladder (either on the left or right side of your outside deck and bolt the remaining 88 $\frac{1}{2}$ " Long Square Post onto your deck at that point in the same manner as the other Posts. Note: above the Ladder Post is illustrated on the right side.

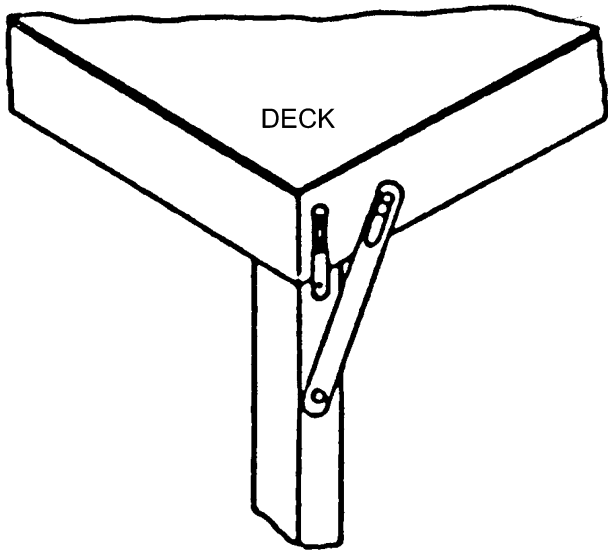
5

Attach the Angle Support Bars, referring to the illustration below for the correct assembly procedure at each location. Refer also to the Close-Up Illustrations below and on the following page. Where One Angle Support Bar attach to the Post use the ½" Sheet Metal Screws. Where Two Angle Support Bars attach to the Post use the 1" Sheet Metal Screw. Where the Angle Support Bars attach to the Bottom Support Channels or the deck, use ½" Truss Head Screws and Hex Nuts. Note carefully in the Close-Ups the position of the slots in the Angle Support Bars. Again, only hand tighten screws at this time.

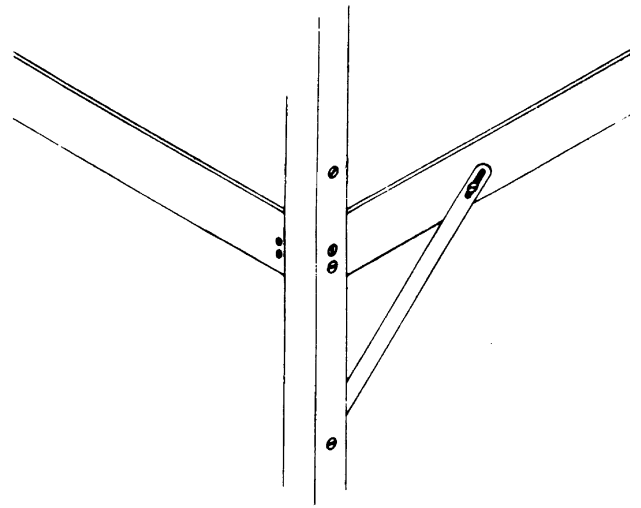


			
1/4"x20x2" TRUSS HEAD SCREW	1/4"x20x1/2" TRUSS HEAD	1/4"x20 HEX NUT	1/2" SHEET METAL SCREW

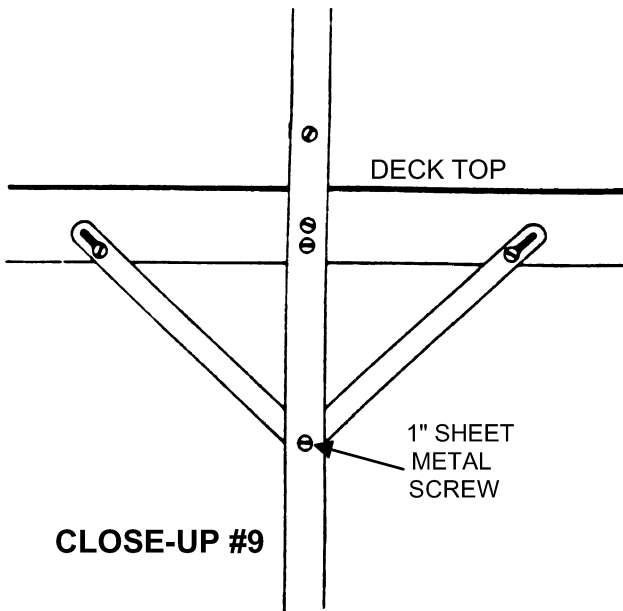
In each corner where the bottom of each Deck Post joins the Bottom Support Channels, attach two Angle Support Bars according to Close-Up #5 at left. The Post for the Gate, however, gets two Angle Support Bars as illustrated in Close-Up #6 at left.



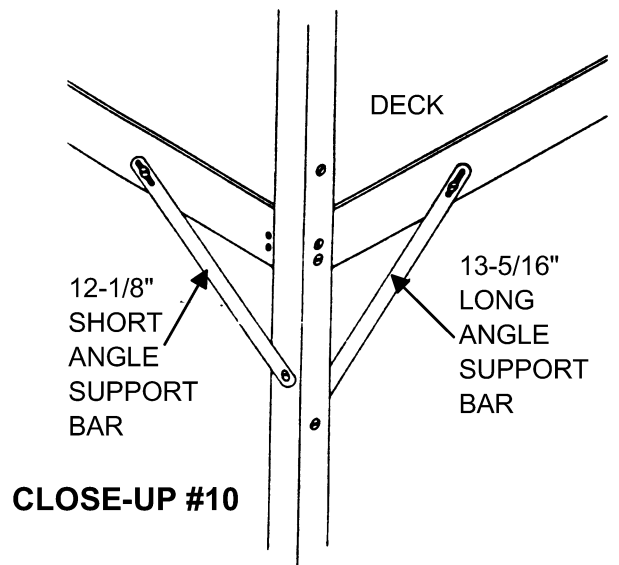
CLOSE-UP #7



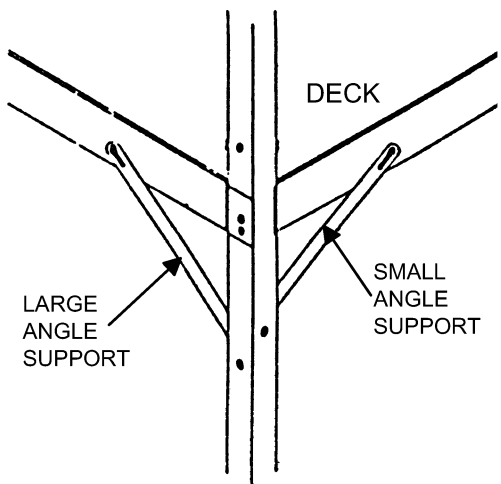
CLOSE-UP #8



CLOSE-UP #9



CLOSE-UP #10

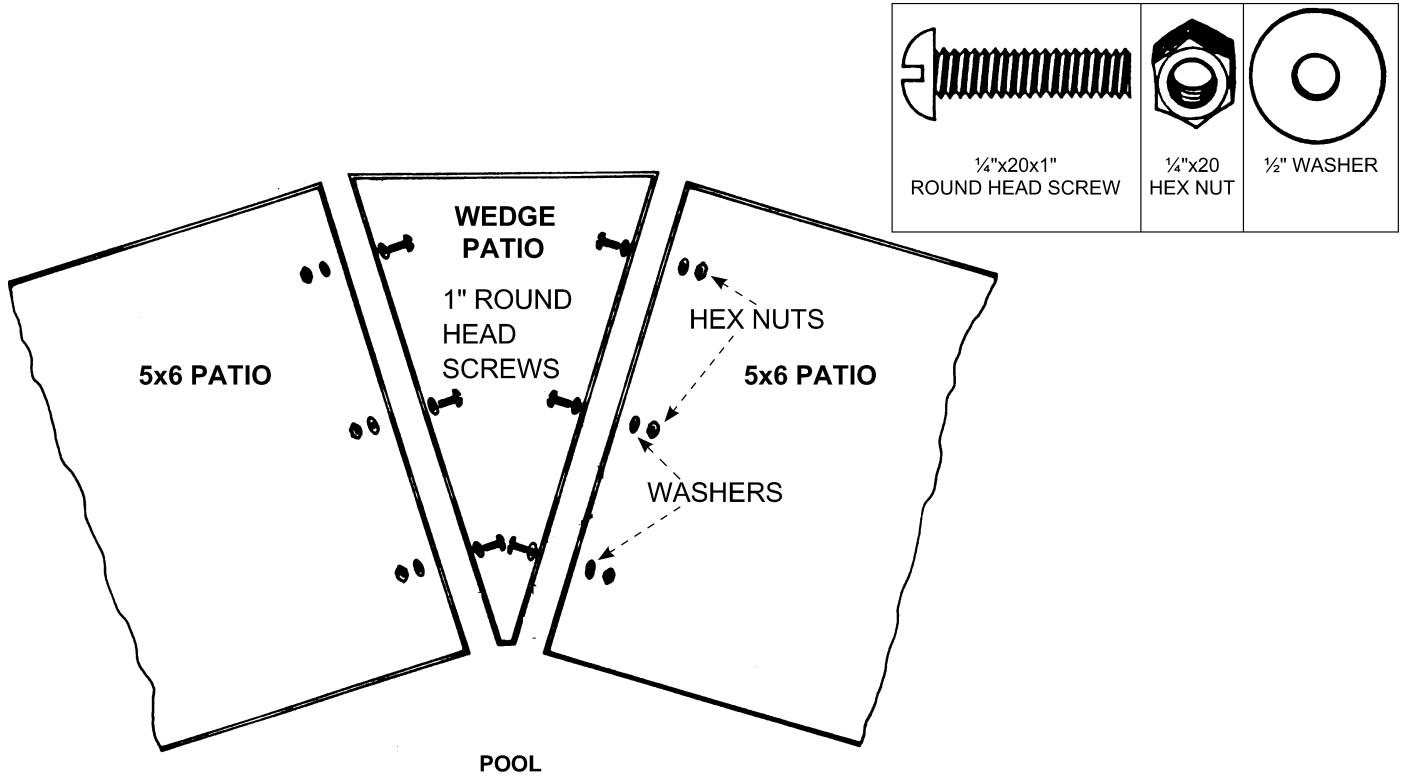


CLOSE-UP #11

Finally, make sure that all the Posts are perfectly straight and tighten all nuts and bolts securely. You may now remove the saw horses or patio blocks and allow your deck to rest on the ground.

6

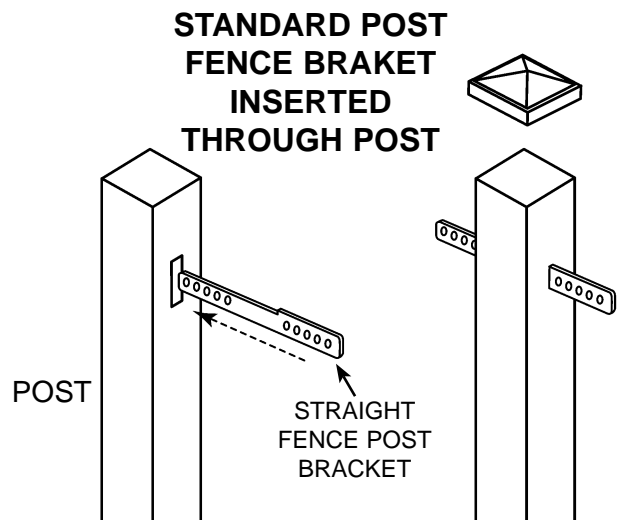
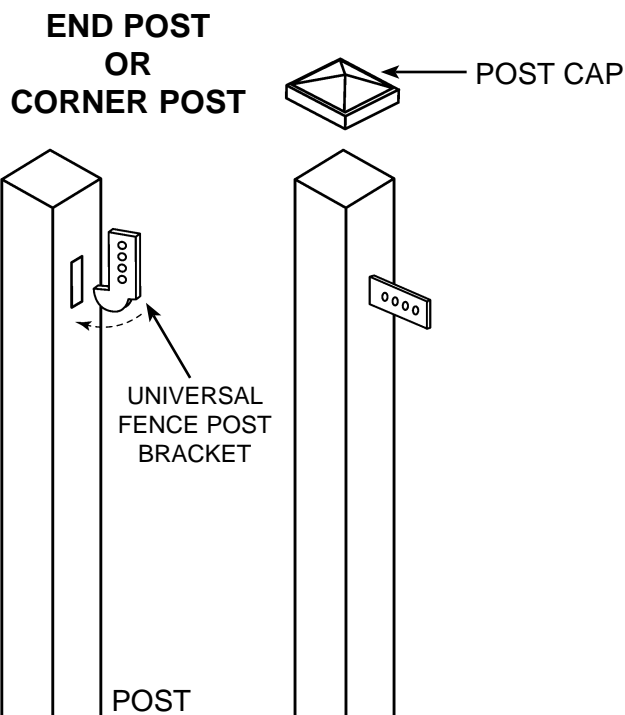
Assemble your Wedge Patio(s) to the 5x6 Patios using the 1" Round Head Screws, Washers and Hex Nuts as shown.



7

Attach the Universal Fence Brackets to the top of the End or Corner Posts simply by inserting the oval end into the slot in the Post and pressing down as shown.

Use the illustrations in step #6 to help you identify which locations the Fence Brackets will be needed to support the fence. Next, press one Post Cap to the top of each Post.

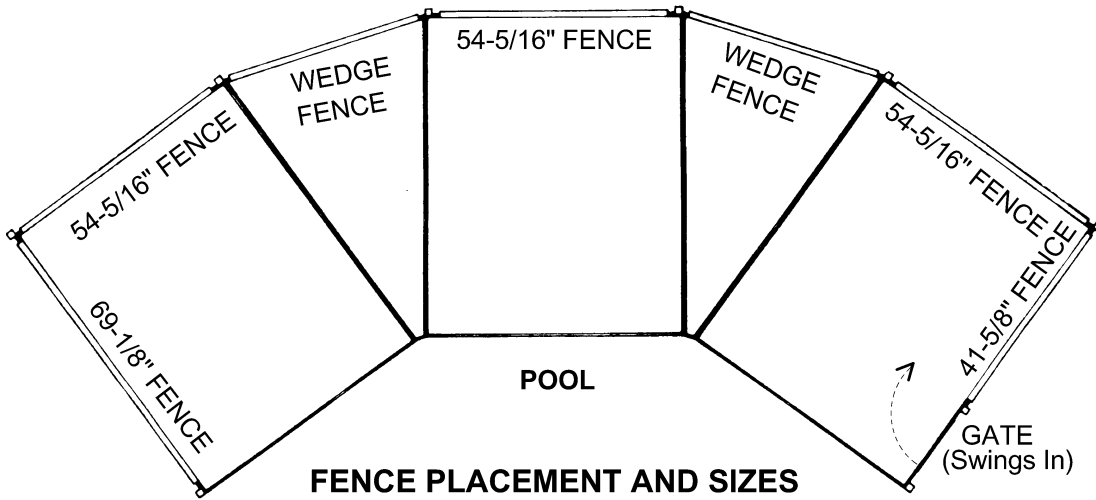


Attach the Straight Fence Brackets to the top of the Standard Posts simply by inserting the shorter end through the slots in the Post until it stops.

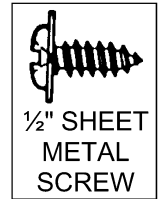
Next, press one Post Cap to the top of each Post.

8

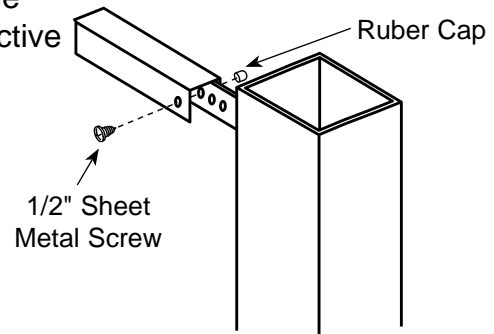
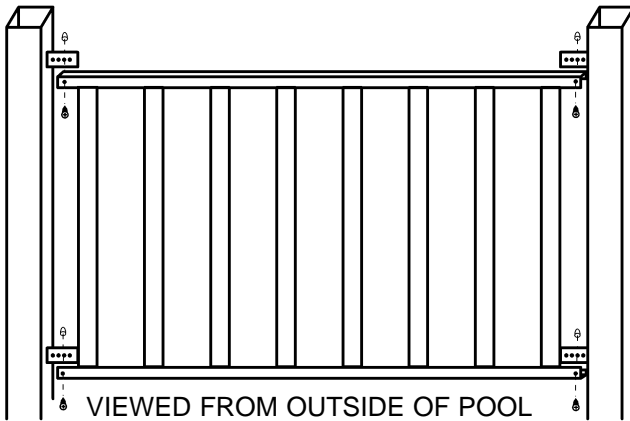
Refer to the Fence Placement Illustration as well as the table below for the location of each fence size.



WEDGE FENCE SIZE	
Pool	Fence
15'	46 $\frac{1}{4}$ "
18'	38 $\frac{5}{8}$ "
21'	33"
24'	29"
27'	25 $\frac{1}{16}$ "



Attach the Fence portions to the Fence Brackets using the 1/2" Sheet Metal Screws as illustrated below. Slip a protective Rubber Screw Cap on the exposed end of each screw.



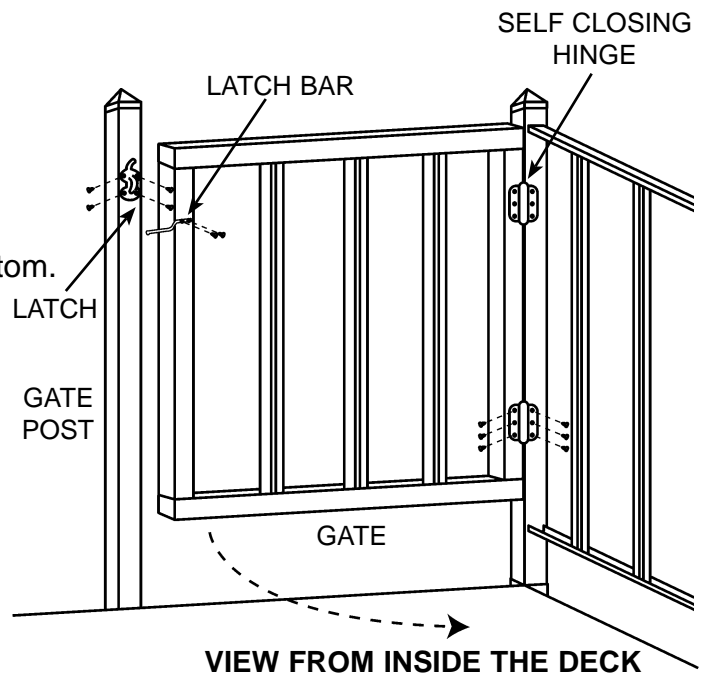
Using the Latch, Latch Bar and Hinges as templates, drill the holes in the locations as illustrated at the bottom.

Drill a 5/32 hole for the Latch Bar and Self Closing Hinges. Drill a 7/64 hole for the Latch.

Mount the Hinges and the Gate using 1/2" long Self-Tapping Screws so that the Gate swings on to the deck in the direction of the rear fence.

Mount the Latch Bar to the Gate using the #10x1/2" Self-Tapping Screw.

Mount the Latch to the Gate Post using #6x3/8 long Self-Tapping Screws



(Note: the Latch mounts approximately 21/8" from the top of the Gate).

Test the Gate to insure that it is perfectly aligned and closes and completely latches by itself.

It is very important to periodically test and maintain the Gates proper functioning.

WARNING: Make sure that your pool is not accessible when not in use!!!

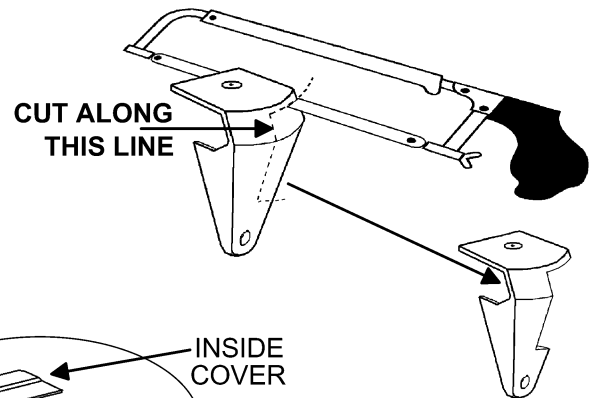
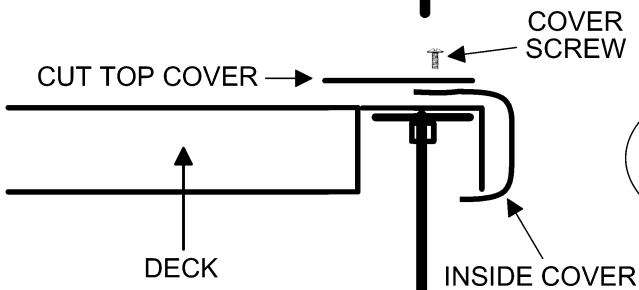
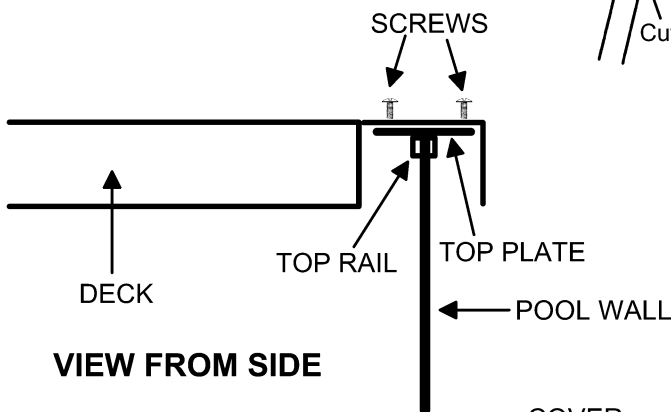
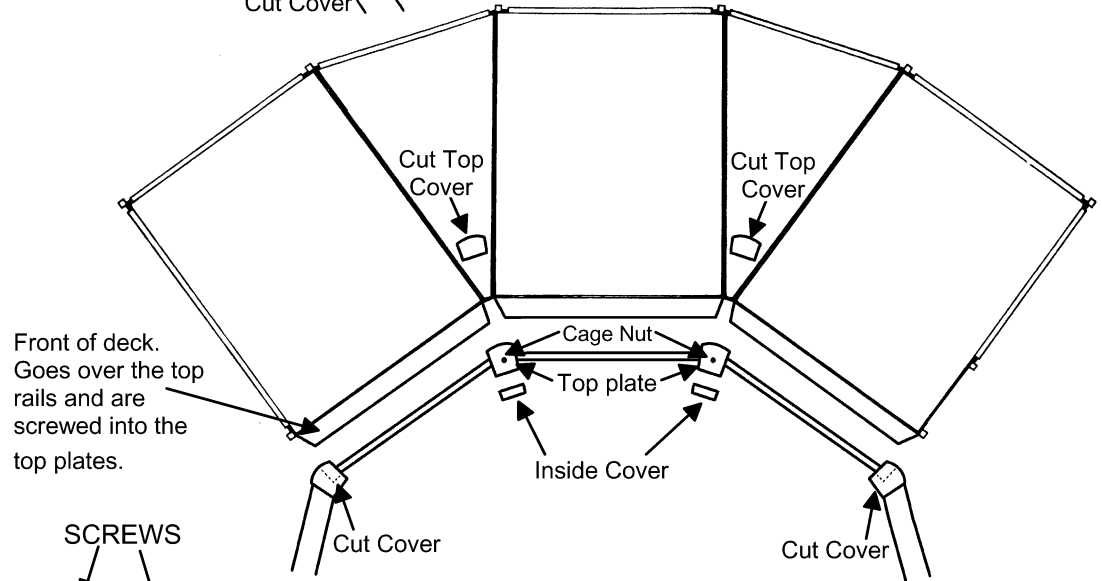
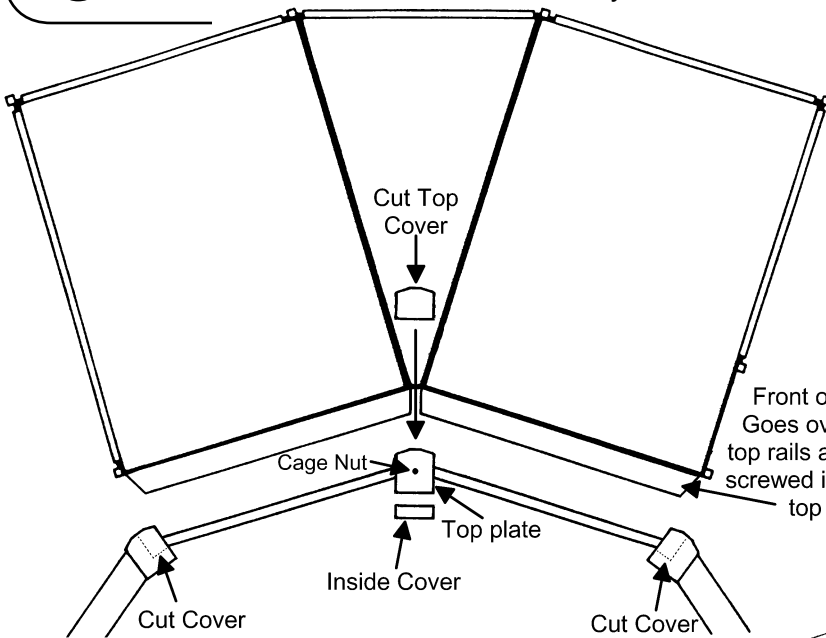
9

Attach your assembled deck to your pool as shown. Remove the ledges where the deck will be assembled. Move your deck into its final position.

Drill holes on top of the deck aligning with the holes of the top plates and tighten screws supplied for the removed ledges.

At each end of the deck where the deck attaches to the pool, it is necessary to cut the covers as shown.

In the center of the deck, over the top plates, place the Cut Top Cover and Inside Cover.

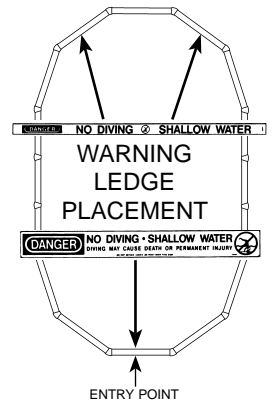


LADDER ASSEMBLY INSTRUCTIONS

- a) Assemble the Ground to Deck Ladder as per the instructions packed in it's carton.
- b) If supplied, assemble your In-Pool Ladder according to the instructions packed in it's carton.

10 WARNING LABELS

With your deck you are provided with 5 additional Warning Labels. One Large Label (#490090) is to be permanently affixed to the top of the pool's Top Ledge at the entry point of the pool. The two long, thin labels (#490091) are to be affixed on the inside of the pool's Top Ledge opposite to and facing the entry point of the pool. The two Square Labels (#490021) are to be affixed on the outside edge of the deck by the outside ladder. To affix these labels, simply clean the area where the label is to be applied and peel off the backing and press the label firmly into place. Should you need any additional Labels for any reason, simply order them by part number from your local dealer or direct from the manufacturer.



Consumer Awareness Booklets:

The following books are available through the National Pool & Spa Institute:
 "The Sensible Way To Enjoy Your Pool"...published by the NSPI, October 1983 (revised September 1986),
 "Children Aren't Waterproof"...published by the NSPI,
 "Pool & Spa Emergency Procedures For Infants And Children"...published by the NSPI.

Contact: NSPI
 2111 Eisenhower Avenue, Alexandria, Virginia 22314
 (703) 838-0083

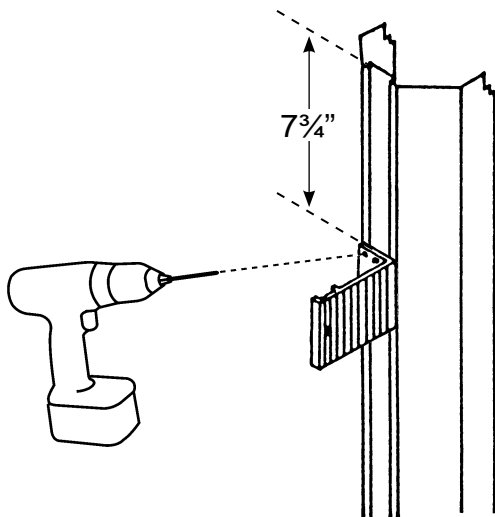
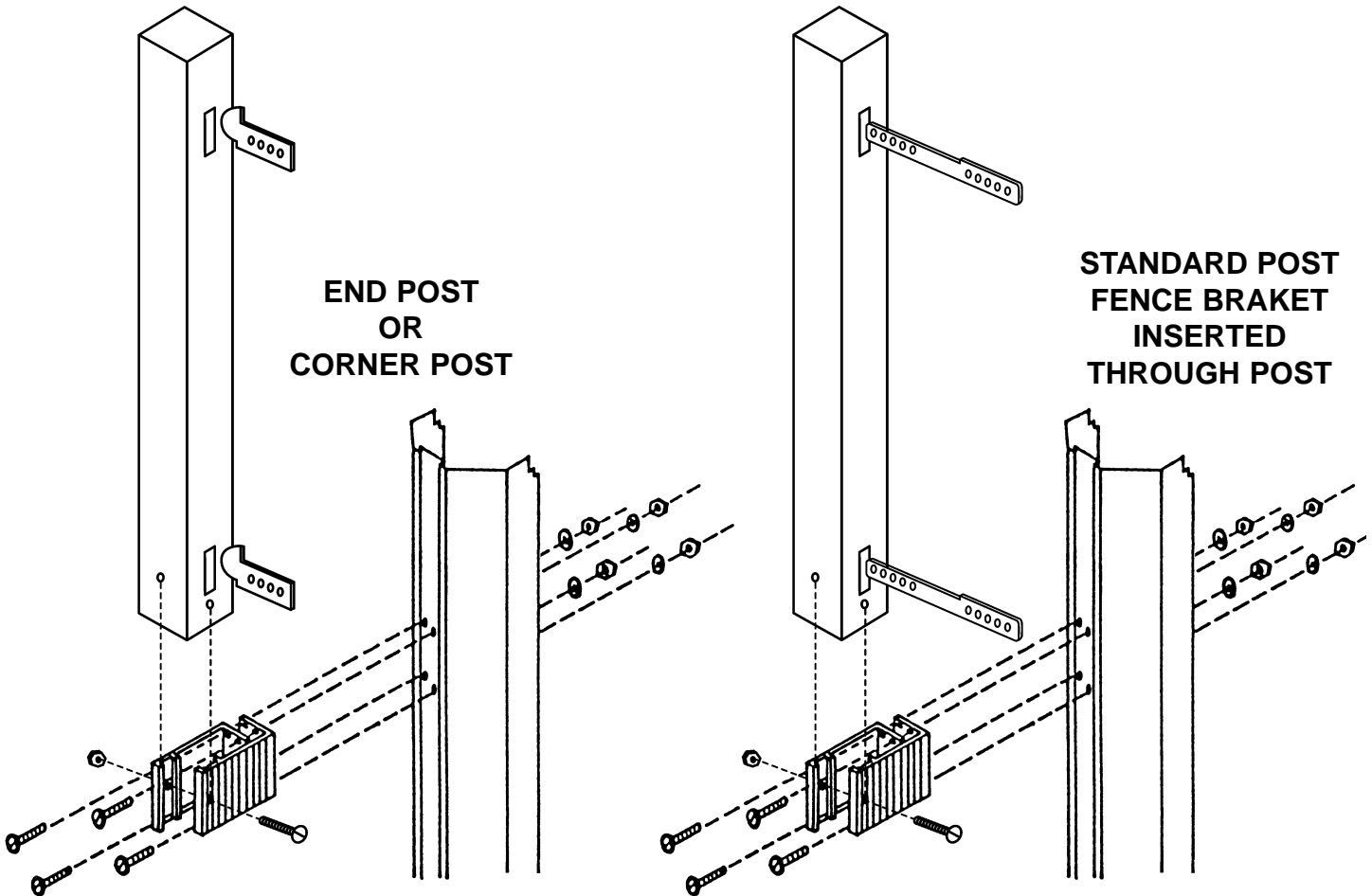
**If you have purchased a deck without a fensurround,
 your deck is now complete.**

**If you have purchased a fence to completely surround your pool,
 continue to the next page.**

11

GENERAL ASSEMBLY ILLUSTRATION

Use the General Assembly Illustration below for reference as you assemble the Fensurround.



Before assembling your pool, drill the required holes in the Verticals.

Simply place the bracket 7 3/4" from the top of the Vertical. Then, using the Post Bracket as a template, drill through the Vertical using a 5/16" drill bit.

If your pool is filled with water it will be necessary for you to lower the water level to 2' deep in order to safely drill these holes and attach the Fence Post Brackets.

12

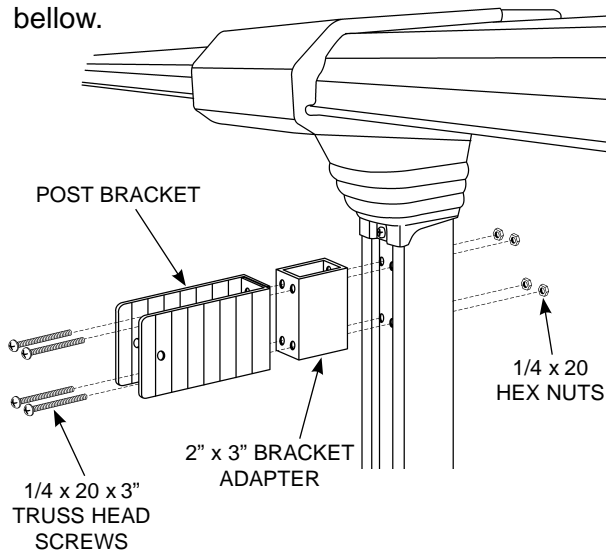
Take the Verticals and attach two Fence Post Brackets to each Vertical using the 1/4 x 20 x 3/4" Screws and Washers and Hex Nuts provided as shown.

You may now assemble your pool.

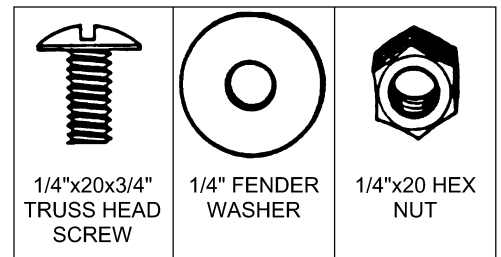
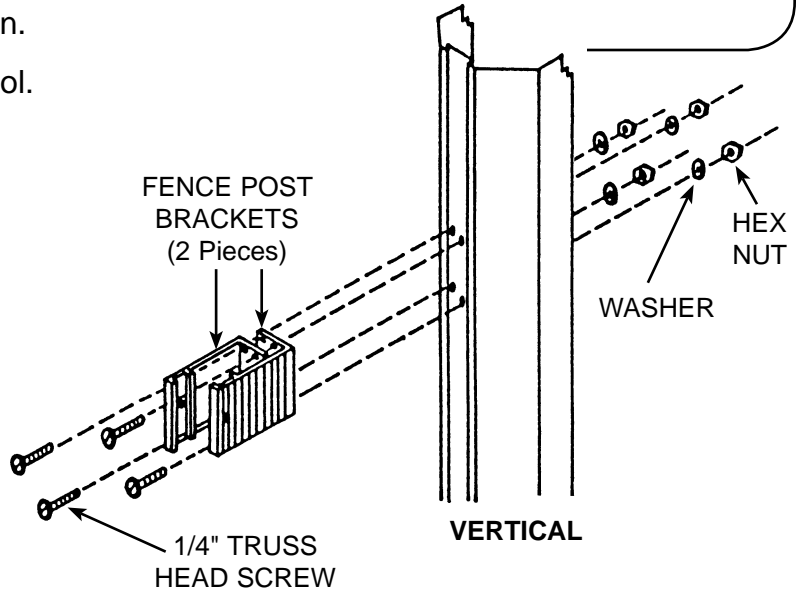
This step only applies for the Straight Side of the 9 inch XL Oval Pools.

On every Buttress Post you must insert one 2" x 3" Bracket Adapter between the Buttress Post and the Post Brackets.

Follow the steps as shown on the illustration below.

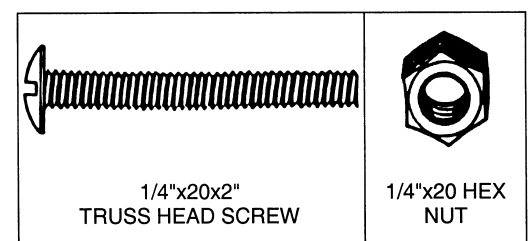
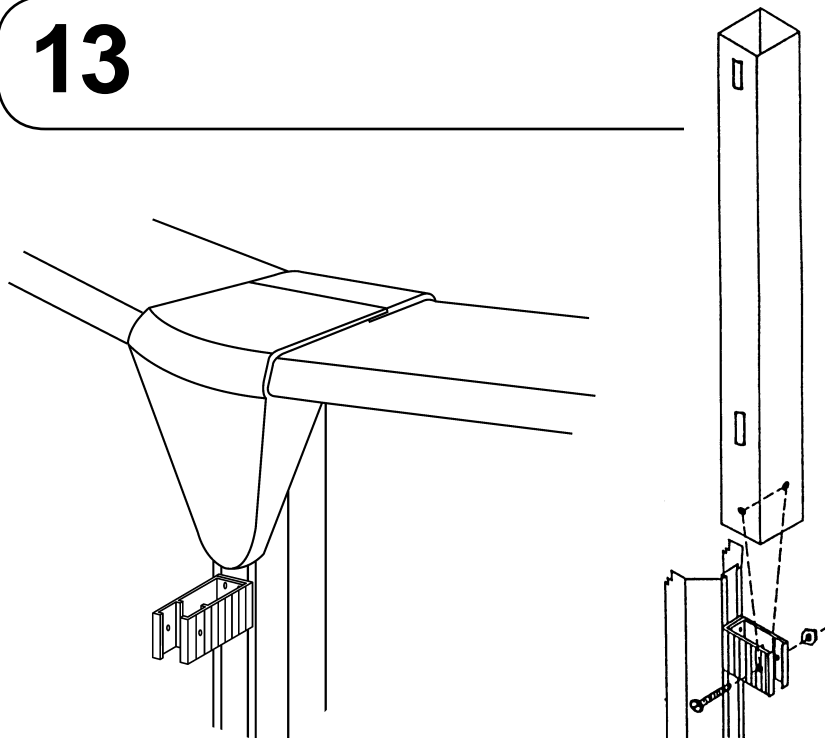


For Oval Pool Models : XL10,000 and Paragon



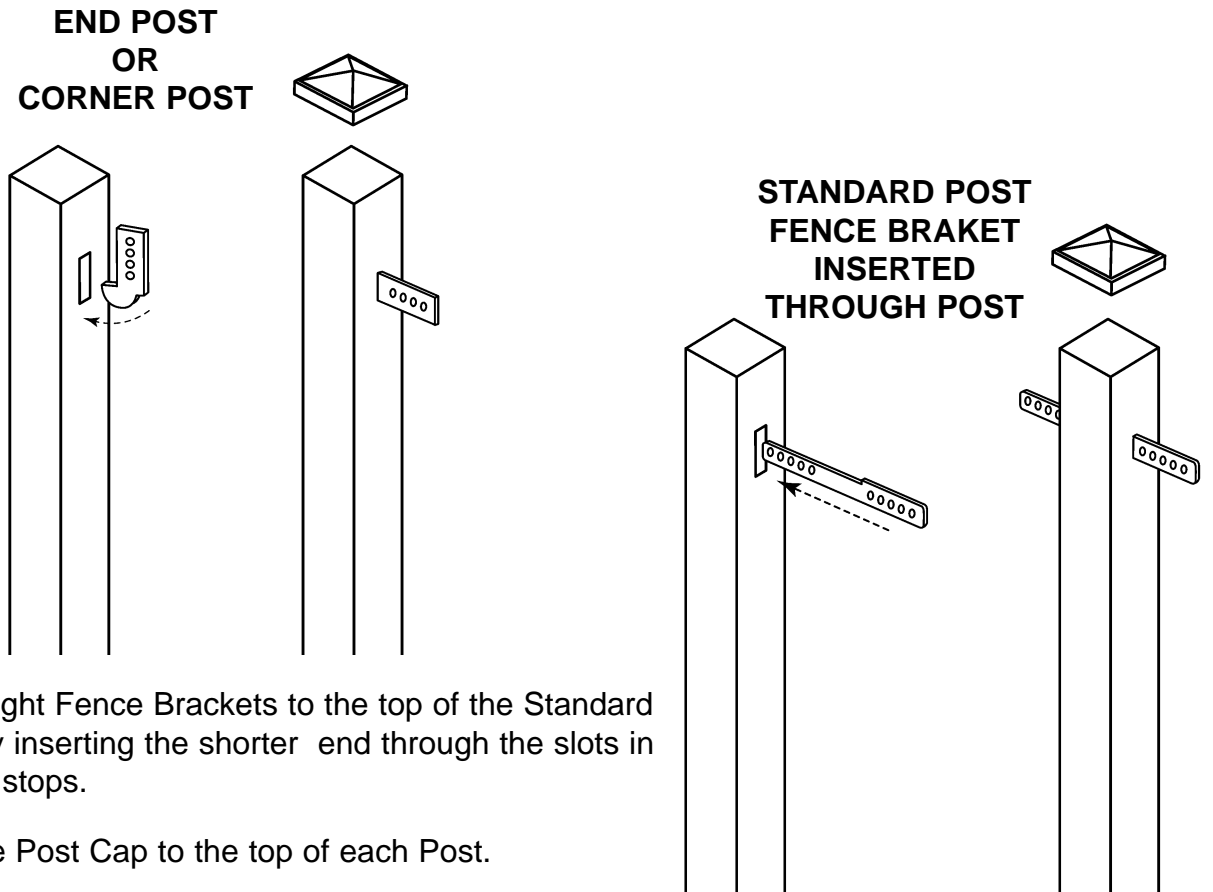
13

Assemble the Square Fence Post to the Post Bracket using the 1/4" x 20 x 2" Screws and Hex Nuts as shown at right. If your pool is equipped with Full-Contoured Covers like those below, you must first assemble the covers to the pool before attaching the Posts.



14

Attach the Universal Fence Brackets to the top of the End or Corner Posts simply by inserting the oval end into the slot in the Post and pressing down as shown. Next, press one Post Cap to the top of each Post.

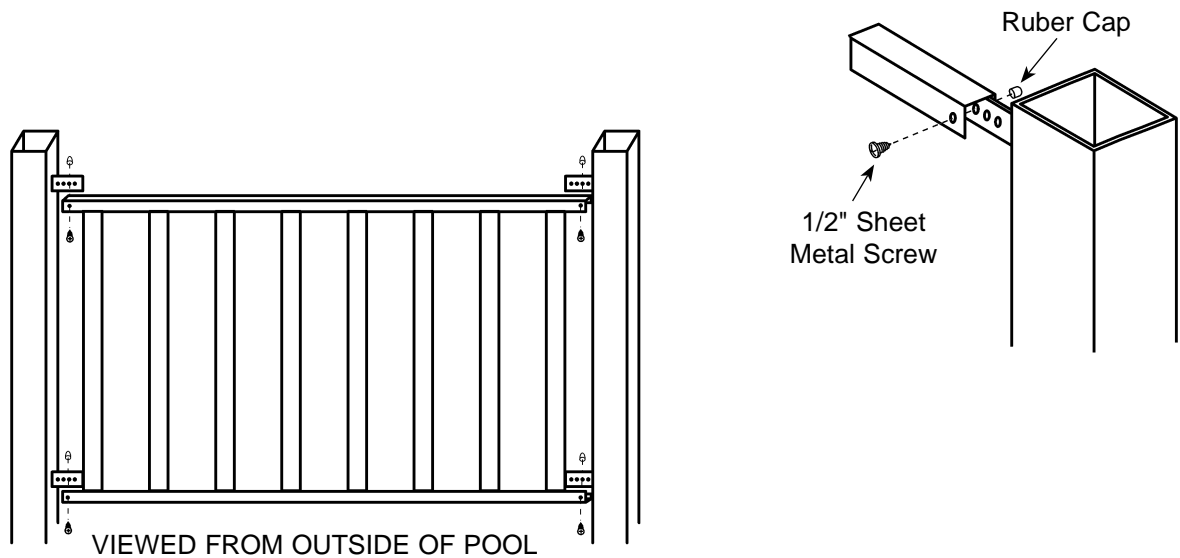


Attach the Straight Fence Brackets to the top of the Standard Posts simply by inserting the shorter end through the slots in the Post until it stops.

Next, press one Post Cap to the top of each Post.

15

Attach the Fence portions to the Fence Brackets using the 1/2" Sheet Metal Screws as illustrated below. Slip a protective Rubber Screw Cap on the exposed end of each screw.





313 REGINA AVENUE
RAHWAY, NEW JERSEY 07065-4891

Phone: (732) 574-1500 • Fax: (732) 574-1551

E-mail: info@swimnplay.com

www.swimnplay.com

ASSEMBLY INSTRUCTIONS

2-PIECE FAN DECK

FITS ROUND POOLS FROM 15' TO 30' DIAMETER

***Also fits 15 ft. Oval Pools
but it will be off set**



READ THROUGH AND UNDERSTAND ALL THE STEPS TO THIS INSTALLATION BEFORE ATTEMPTING TO INSTALL EITHER YOUR POOL OR YOUR DECK.

IF YOUR POOL IS ALREADY INSTALLED IT MAY BE NECESSARY TO LOWER THE WATER LEVEL IN YOUR POOL DOWN TO 2' TO ENABLE YOU TO PROPERLY INSTALL THIS DECK.


Swim'n Play, Inc.
Makers of Fine Above Ground Pools®

313 REGINA AVENUE
RAHWAY, NEW JERSEY 07065-4891

Phone: (732) 574-1500

Fax: (732) 574-1551

www.swimnplay.com

E-mail: info@swimnplay.com



DANGER

DO NOT DIVE OR JUMP into your pool. Your pool is approximately 4' deep. It is not designed for diving or jumping. If you dive or jump into your pool you run the risk of permanent injury or death. Alert all visitors and family of this and point out all warning labels supplied.

ADULT SUPERVISION REQUIRED

GENERAL

Take time to follow the instructions and do things right the first time. Read all instructions prior to starting. Before you start, check to see that you have the correct number of parts. Use your parts list which is broken down by carton.

The manufacturer reserves the right to revise, change or modify construction of their product.

CONTRACT INSTALLATIONS

The manufacturer is in no way affiliated with any professional installer. Therefore the manufacturer can assume no responsibility, for errors in installation by the home owner or said professional installer. If you have your deck installed by others, please supervise to be sure they comply with THE proper installation techniques shown. Their past experience or short cuts may not cover the latest improvements in our decks. Do not allow any short cuts of any nature.

LOCAL CODES

Local building code may require obtaining a building permit and may have regulations on set backs, barriers, devices and other conditions that must be followed. Any after market or home built deck should be built to the local building code requirements, including load capacity and fencing requirements.

Local electrical code may require obtaining a building permit and may have regulations on setbacks, devices and other conditions that must be followed.

All electrical outlet connections should be a minimum of 5 feet from the outside perimeter of the wall of the pool. From 5-10 feet there should be either a fixed connection (outlet box) or twistlock connection with a GFCI. Connect power cords to a 3-wire grounding-type outlet only.

Severe electrical shock could result if you install your pump or filter on a deck. They could fall into the water, causing severe shock or electrocution. Do not install on a deck or other surface at, above or slightly below the top SEAT of the pool.

BARRIER REQUIREMENTS

If the distance from the top of the assembled pool is less than 48" vertically from the surrounding grade, a fence or barrier is needed to surround the pool with a minimum height of 48".

A barrier is necessary to provide protection against potential drowning and near drowning and is not

a substitute for constant supervision of children. A barrier is a fence, wall, or a combination thereof which completely surrounds the swimming pool and obstructs access to the swimming pool. Barriers must comply with local and national building codes and the US Consumer Product Safety Commission.

These ARE minimum fencing and barrier requirements. Check your local building codes for other requirements they may request. Optional fencing kits are available, Please contact your local dealer.

If pool covers are used for safety barriers they should comply with ASTM F 1346 "Standard Performance Specification for Safety Covers and Labeling Requirements for All Covers for Swimming Pools, Spas and Hot Tubs."

GETTING STARTED

Unpack and identify all the parts to your deck using the enclosed packing list.

TO ASSEMBLE THE DECK YOU WILL NEED:

1. DRILL WITH A 7/64", 5/32", 3/16" AND 5/16" BIT
2. 7/16" WRENCH
3. #3 POINT PHILLIPS SCREW DRIVER
4. MEASURING TAPE AND MARKING PENCIL

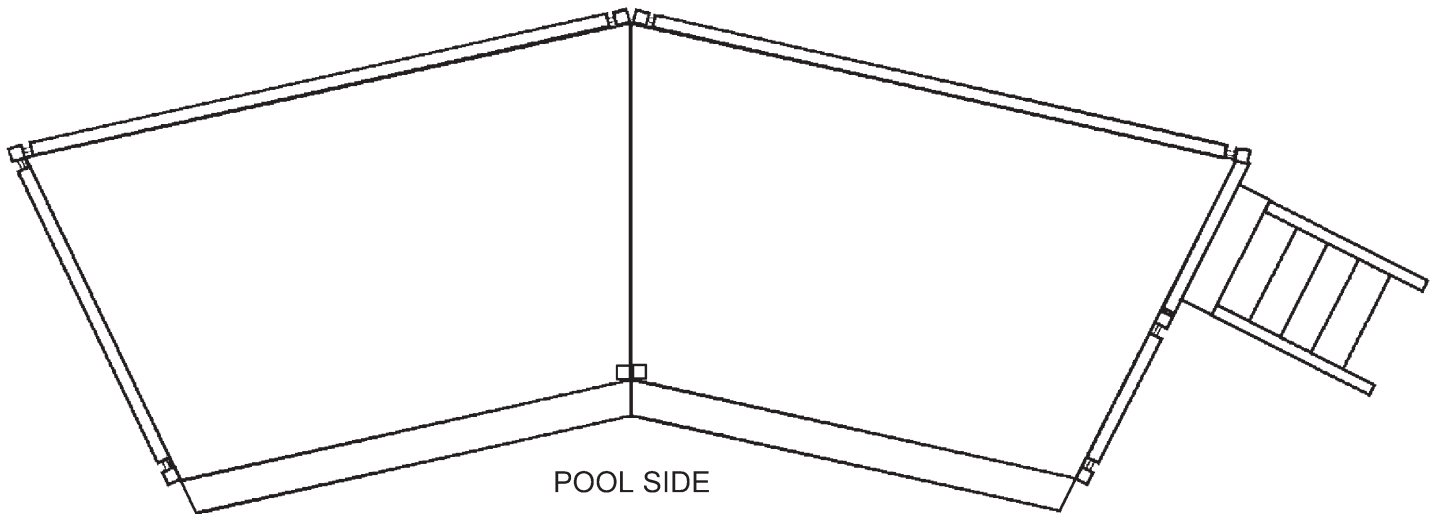
ATTENTION DECKS ARE MADE FOR 52 INCH DEEP POOLS

IF YOUR POOL IS 48" DEEP
YOU WILL HAVE TO DIG A TRENCH
OR CUT THE BOTTOM OF THE POSTS
(4 INCHES) IN ORDER TO LEVEL THE HEIGHT OF
THE DECK WITH THE HEIGHT OF YOUR POOL.

**THE BASE OF THE DECK MUST BE LEVEL
WITH THE TOP LEDGE OF YOUR POOL**

ASSEMBLY DRAWING

Use the drawing below for reference while assembling your deck.



1

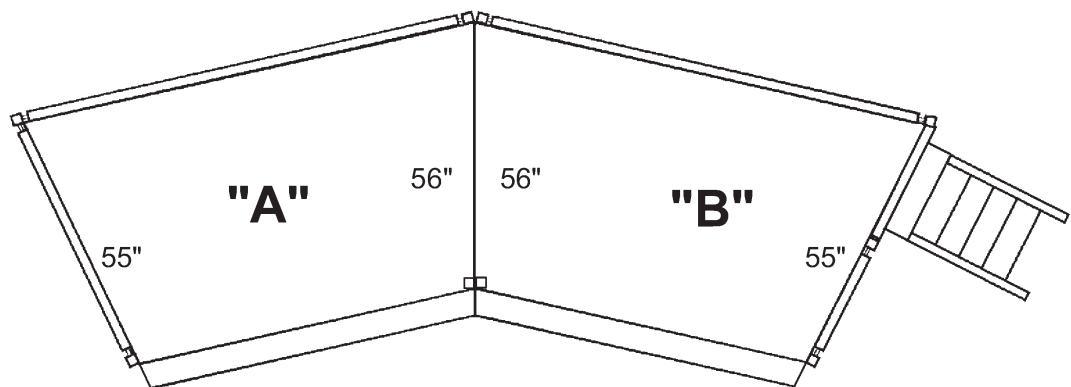
Clear out and level the ground in the location where your deck is to be installed.

2

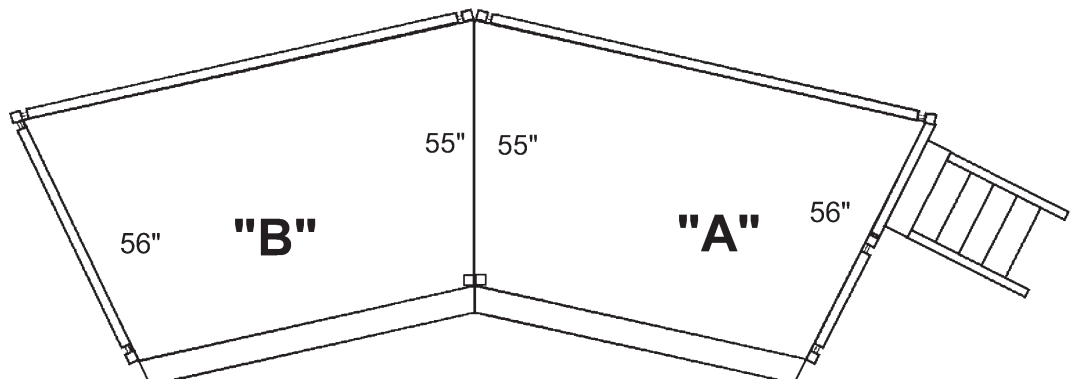
Your two Fan Patios are labeled underneath "A" and "B". Determine what size pool you have and use the above two drawings to determine the placement of the patios.

If the markings "A" and "B" are unclear, use the measurements below to determine your "A" and "B" patios.

15'
or
18'



21'
24'
27'
& 30'

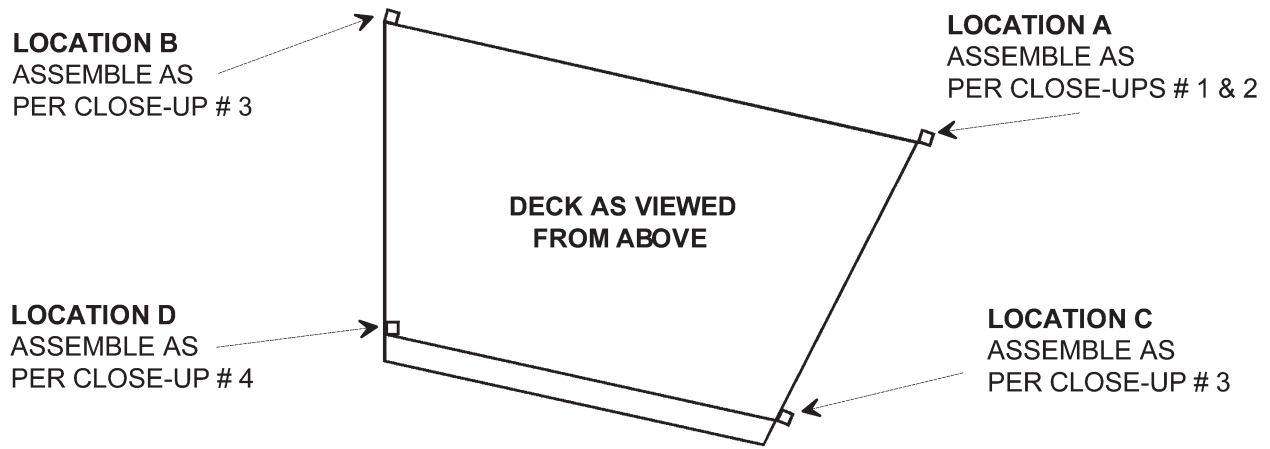


3

IMPORTANT: ONLY HAND TIGHTEN SCREWS AT THIS TIME

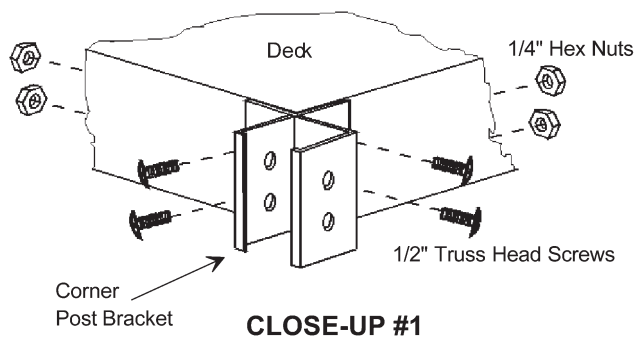
Elevate your deck section using either patio blocks or saw horses. This is the "B" patio for an 15' & 18' pool and the "A" patio for a 21', 24', 27' or 30' pool.

Refer to the illustration below to attach the Square Posts to the proper locations.

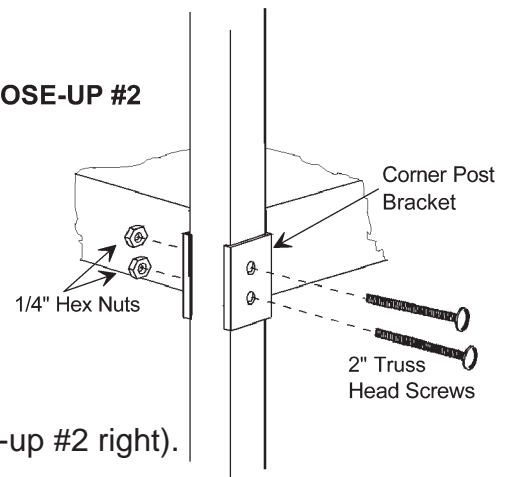


At "Location A" above (far outside corner of your deck), bolt on the Corner Post Bracket using four 1/4" x 20 x 1/2" Truss Head Screws and Nuts.

Refer to Close-up #1 for proper assembly procedure.

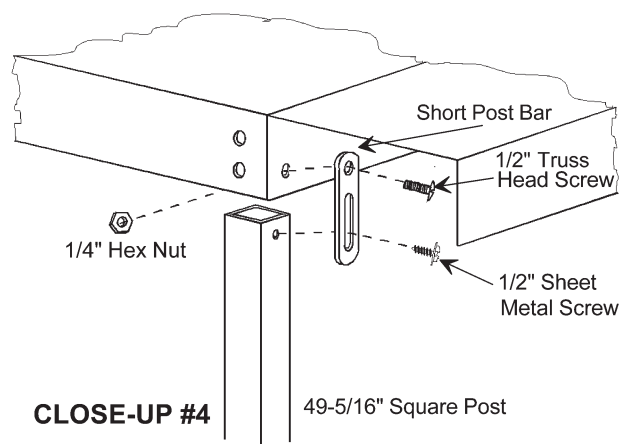
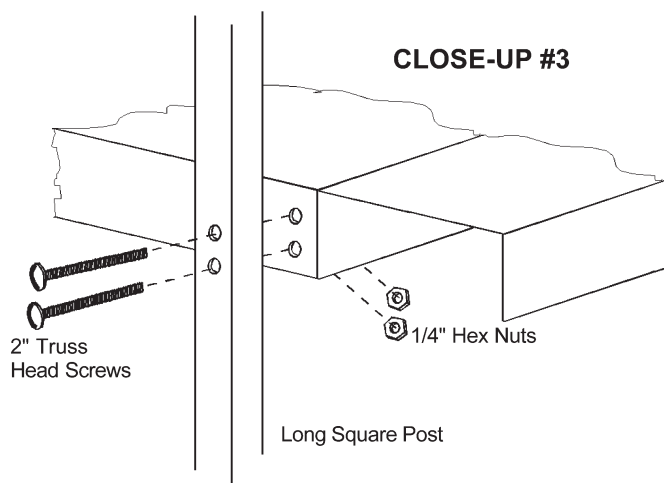


CLOSE-UP #2



Bolt one Long Square Post to the Corner Post Bracket (see Close-up #2 right).

Attach one Long Square Post at both "Location B" and "Location C" referring to Close-up #3 below for proper assembly procedure.



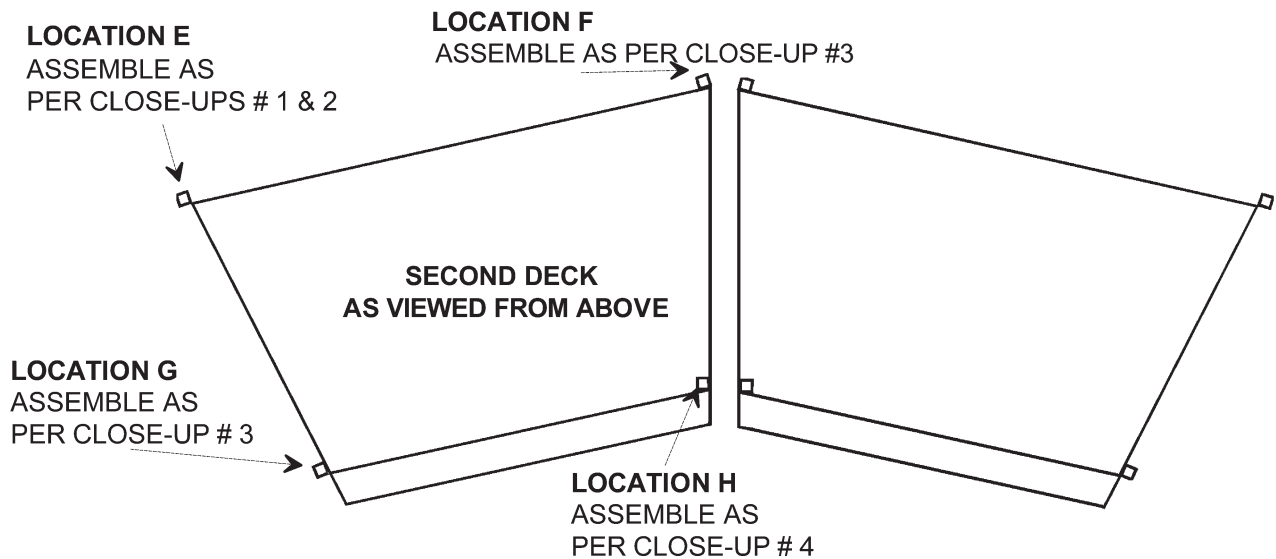
Bolt one 49-5/16" Post to "Location D" (the underside inside corner of your deck) using Close-up #4 above for proper assembly procedures.

4

IMPORTANT: ONLY HAND TIGHTEN SCREWS AT THIS TIME

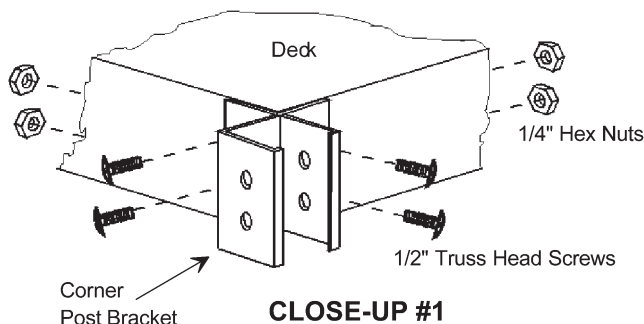
Elevate your second patio using either patio blocks or saw horses.

Refer to the illustration below to attach the Square Posts to the proper locations.

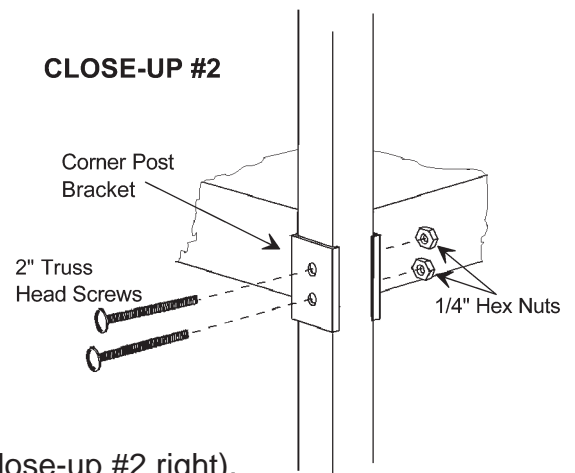


At “Location E” above (far outside corner of your deck), bolt on the Corner Post Bracket using four 1/4” x 20 x 1/2” Truss Head Screws and Nuts.

Refer to Close-up #1 for proper assembly procedure.

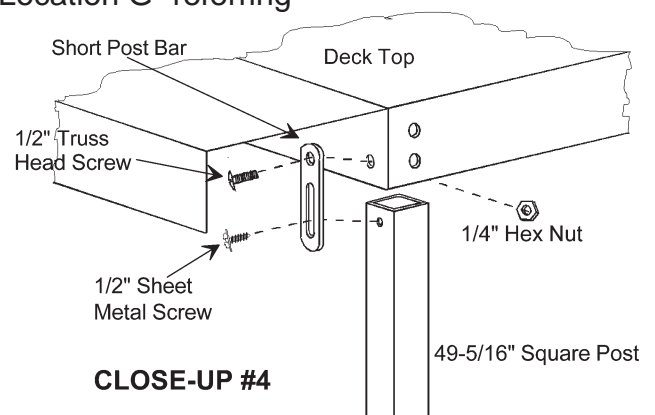
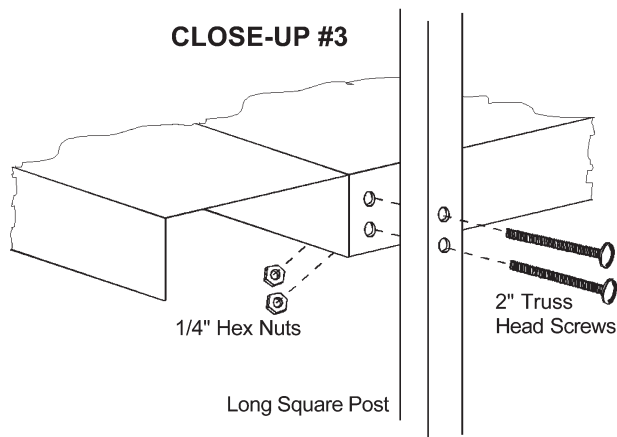


CLOSE-UP #2

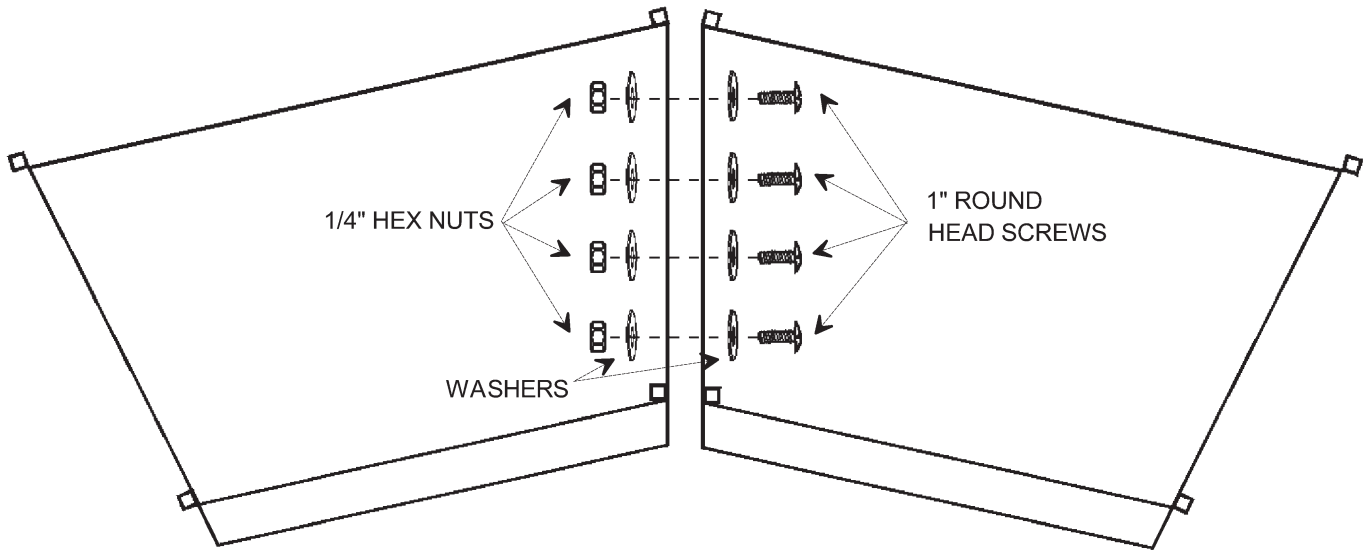


Bolt one Long Square Post to the Corner Post Bracket (see Close-up #2 right).

Attach one Long Square Post at both “Location F” and “Location G” referring to Close-up #3 below for proper assembly procedure.



Bolt one 49-5/16” Post to “Location H” (the underside inside corner of your deck) using Close-up #4 above for proper assembly procedures.



Fasten the two Deck Sections together as illustrated above using the 3/4" Screws, Washers and Nuts. Only hand tighten screws. Remove the saw horses or patio blocks.

5 IMPORTANT: ONLY HAND TIGHTEN SCREWS AT THIS TIME

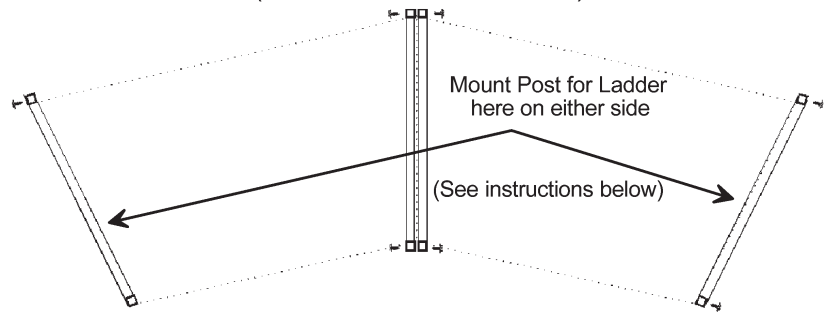
Position the Bottom Support Channels (long "L" shaped pieces) at the bottoms of the Posts.

There are two different sizes.

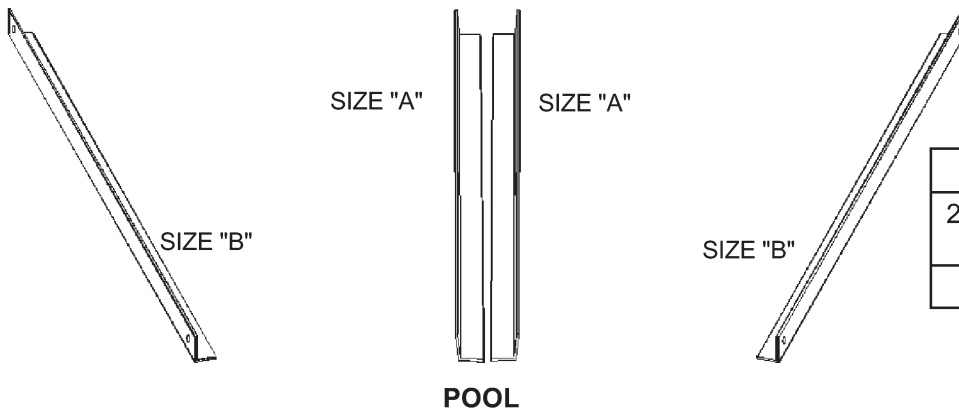
Use the Size Chart below to determine the placement for your size pool.

The layout of the Bottom Support Channels is shown below.

BOTTOM SUPPORT CHANNEL LAYOUT (VIEWED FROM ABOVE)



BOTTOM SUPPORT CHANNEL LAYOUT (VIEWED FROM ABOVE)



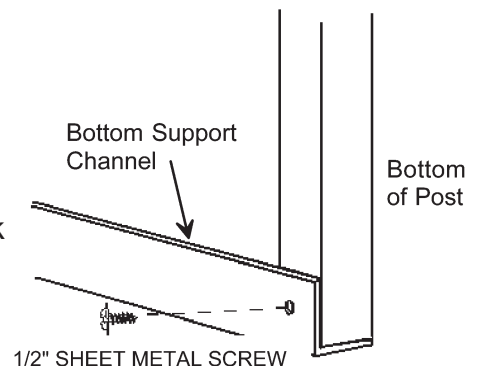
SIZE CHART

SIZE	"A"	"B"
21', 24', 27' & 30' Deck	50 ³ / ₄ "	51 ³ / ₄ "
15' & 18' Deck	51 ³ / ₄ "	50 ³ / ₄ "

Attach the Bottom Support Channels to the bottom of the Posts using the 1/2" Sheet Metal Screws as shown at right.

Choose the position of your ladder (either on the right or left outside of your deck) and fasten the remaining Long Square Post to the deck at that point using a 2" Truss Head Screw and Hex Nut.

Fasten the bottom of this Post to the Bottom Support Channel using a 1/2" Sheet Metal Screw.



6

IMPORTANT: ONLY HAND TIGHTEN SCREWS AT THIS TIME

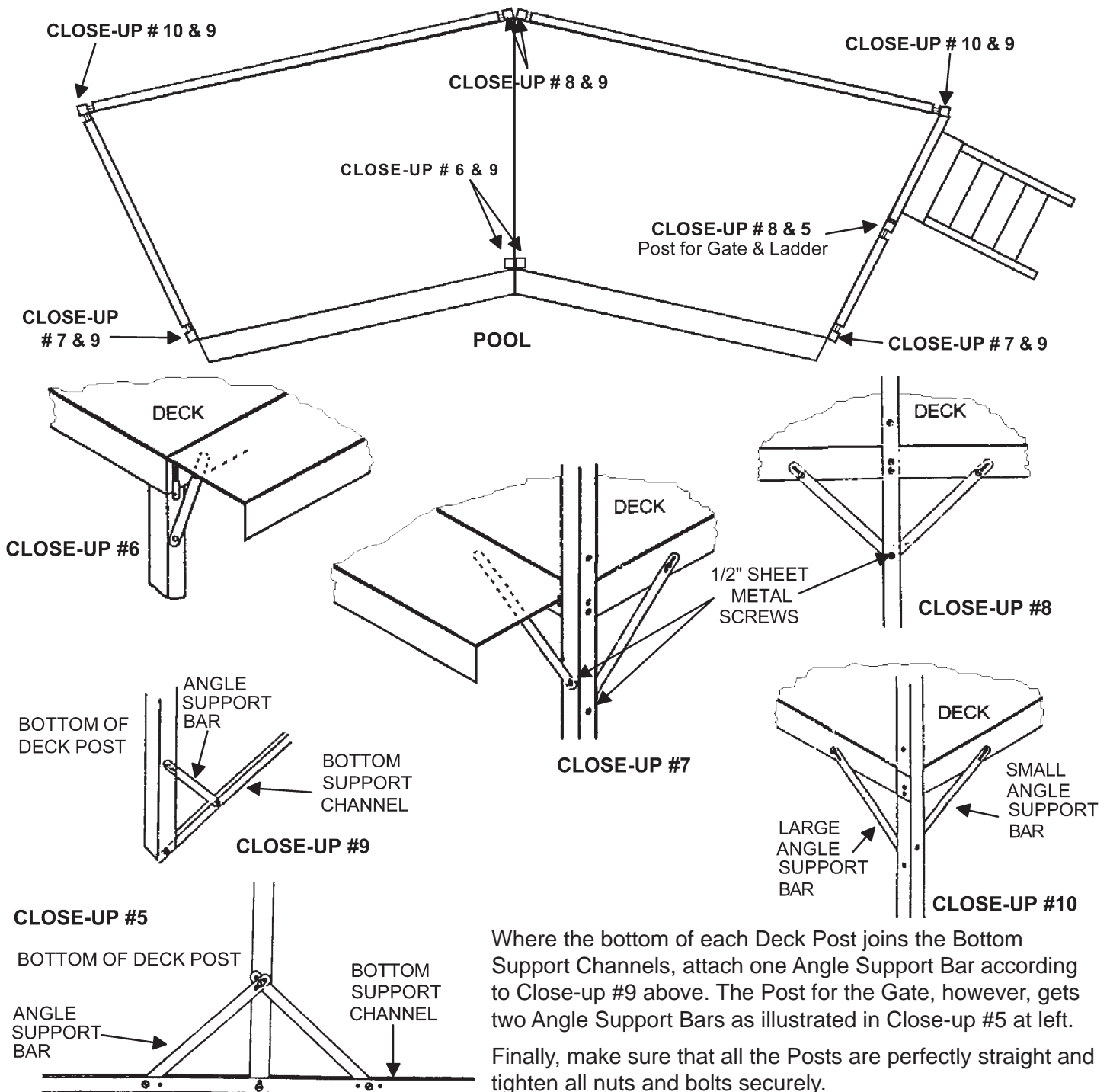
Attach the Angle Support Bars, referring to the illustrations below for the correct assembly procedure at each location.

Where one Angle Support Bar attaches to the Post use the 1/2" Sheet Metal Screws.

Where two Angle Support Bars attach to the Post use 1" Sheet Metal Screws.

Where the Angle Support Bars attach to the Bottom Support Channels or the deck, use 1/2" Truss Head Screws and Hex Nuts.

AT THESE LOCATIONS, ASSEMBLE ANGLE SUPPORT BARS ACCORDING TO THE CLOSE-UP ILLUSTRATIONS LISTED



Where the bottom of each Deck Post joins the Bottom Support Channels, attach one Angle Support Bar according to Close-up #9 above. The Post for the Gate, however, gets two Angle Support Bars as illustrated in Close-up #5 at left.

Finally, make sure that all the Posts are perfectly straight and tighten all nuts and bolts securely.

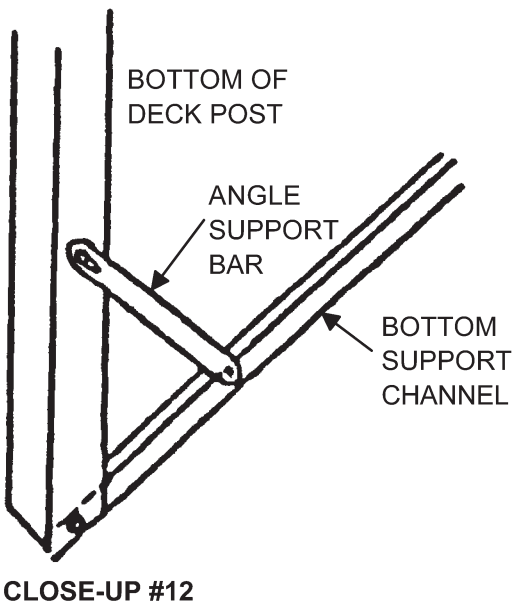
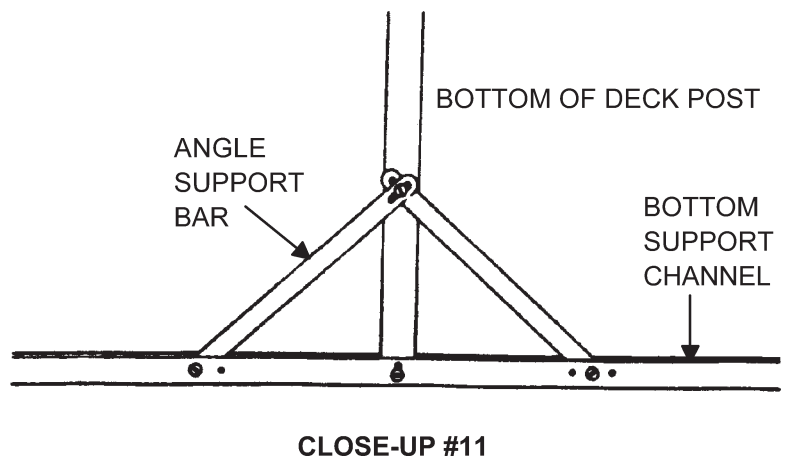
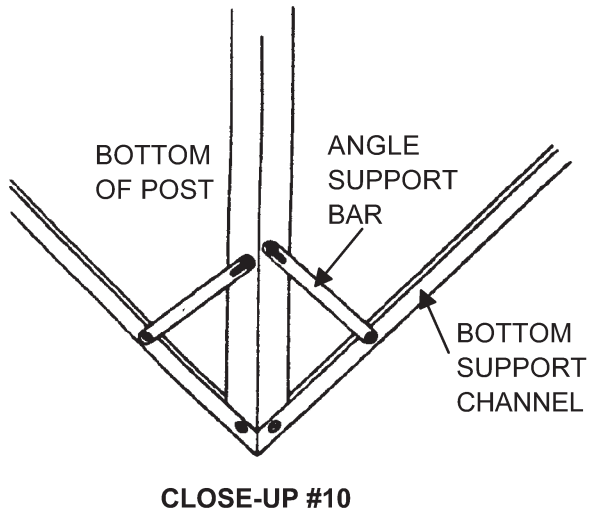
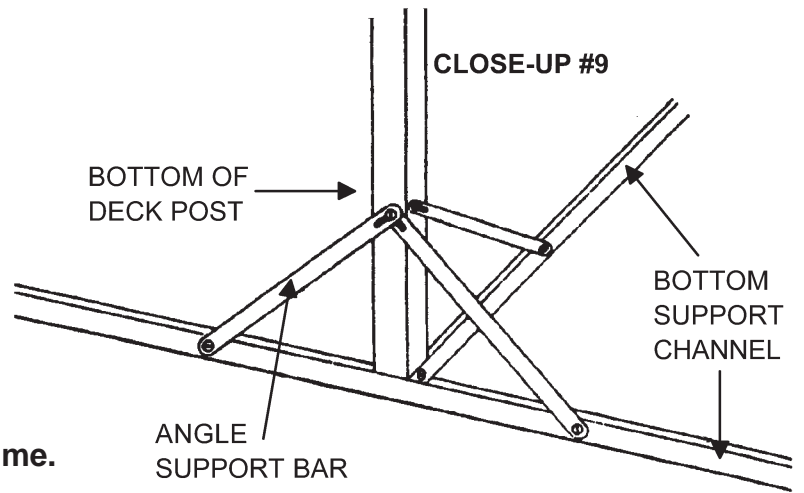
Where One Angle Support Bar attaches to the Post use the 1/2" Sheet Metal Screws.





Where Two Angle Support Bars attach to the Post use the 1" Sheet Metal Screw.

Where the Angle Support Bars attach to the Bottom Support Channels use the 1/2" Truss Head Screws and Hex Nuts.

Note carefully in the Close-ups the position of the slots in the Angle Support Bars.

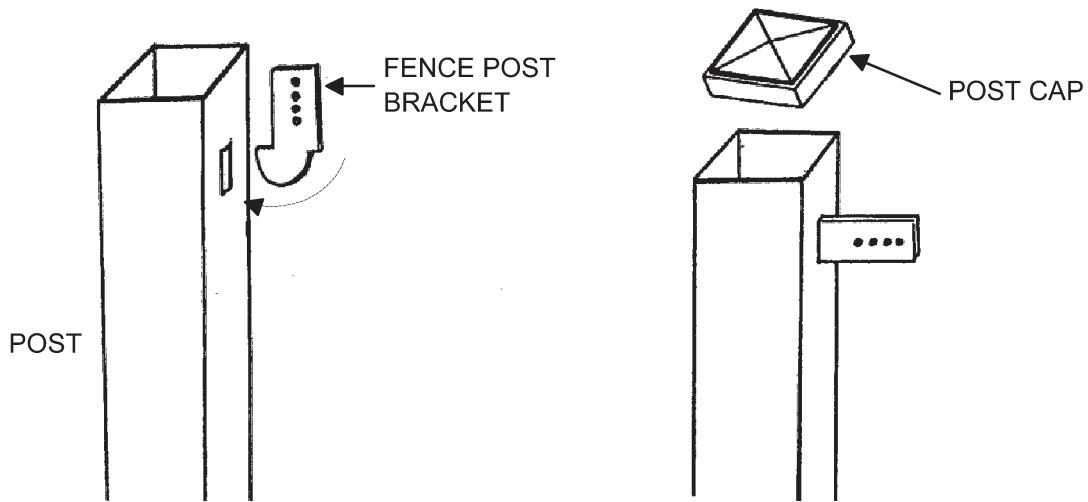
Again, only hand tighten screws at this time.



 <p>1/4" x 20 x 1/2" TRUSS HEAD SCREW</p>	 <p>1/4" x 20 HEX NUT</p>	 <p>1/2" SHEET METAL SCREW</p>
 <p>1" SHEET METAL SCREW</p>		

7 Attach the Fence Brackets to the top of the Posts simply by inserting the oval end into the slot in the Post and pressing down as shown.

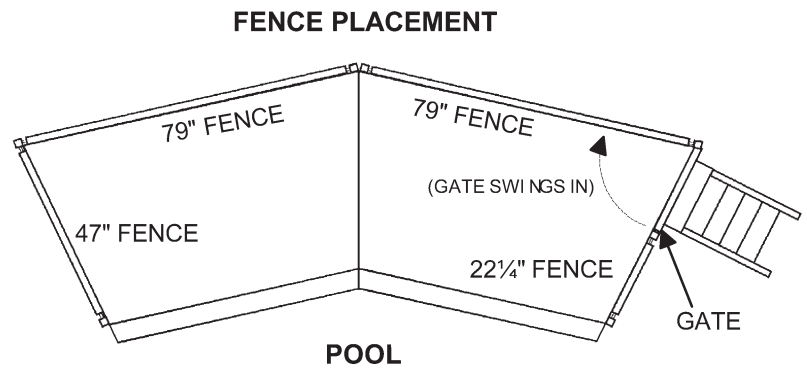
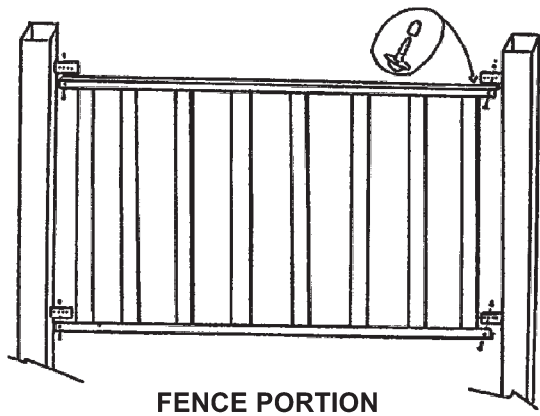
Next, press one Post Cap to the top of each Post.



8 Attach the Fence sections to the Fence Brackets using the 1/2" Sheet Metal Screws as illustrated below.

Place one small plastic Screw Cover on the end of each screw.

Refer to the Fence Placement Illustrations for the location of each fence size.



Using the Latch, Latch Bar and Hinges as templates, drill the holes in the locations as illustrated at right.

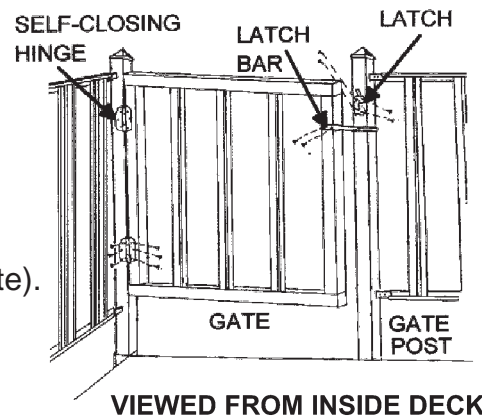
Drill a 5/32 hole for the Latch Bar and Self Closing Hinges.

Drill a 7/64 hole for the Latch. Mount the Hinges and the Gate using #10 x 1/2" long Self-Tapping Screws so that the Gate swings on to the deck in the direction of the rear 79" fence.

Mount the Latch Bar to the Gate. Mount the Latch to the Gate Post using #6 x 3/8" long Self-Tapping Screws.

(Note: the Latch mounts approximately 21/8" from the top of the Gate).

Test the Gate to insure that it is perfectly aligned and closes and completely latches by itself. It is very important to periodically test and maintain the Gates proper functioning.



WARNING: Make sure that your pool is not accessible when not in use!!!

9

Attach your assembled deck to your pool as shown.

Remove the ledges where the deck will be assembled.

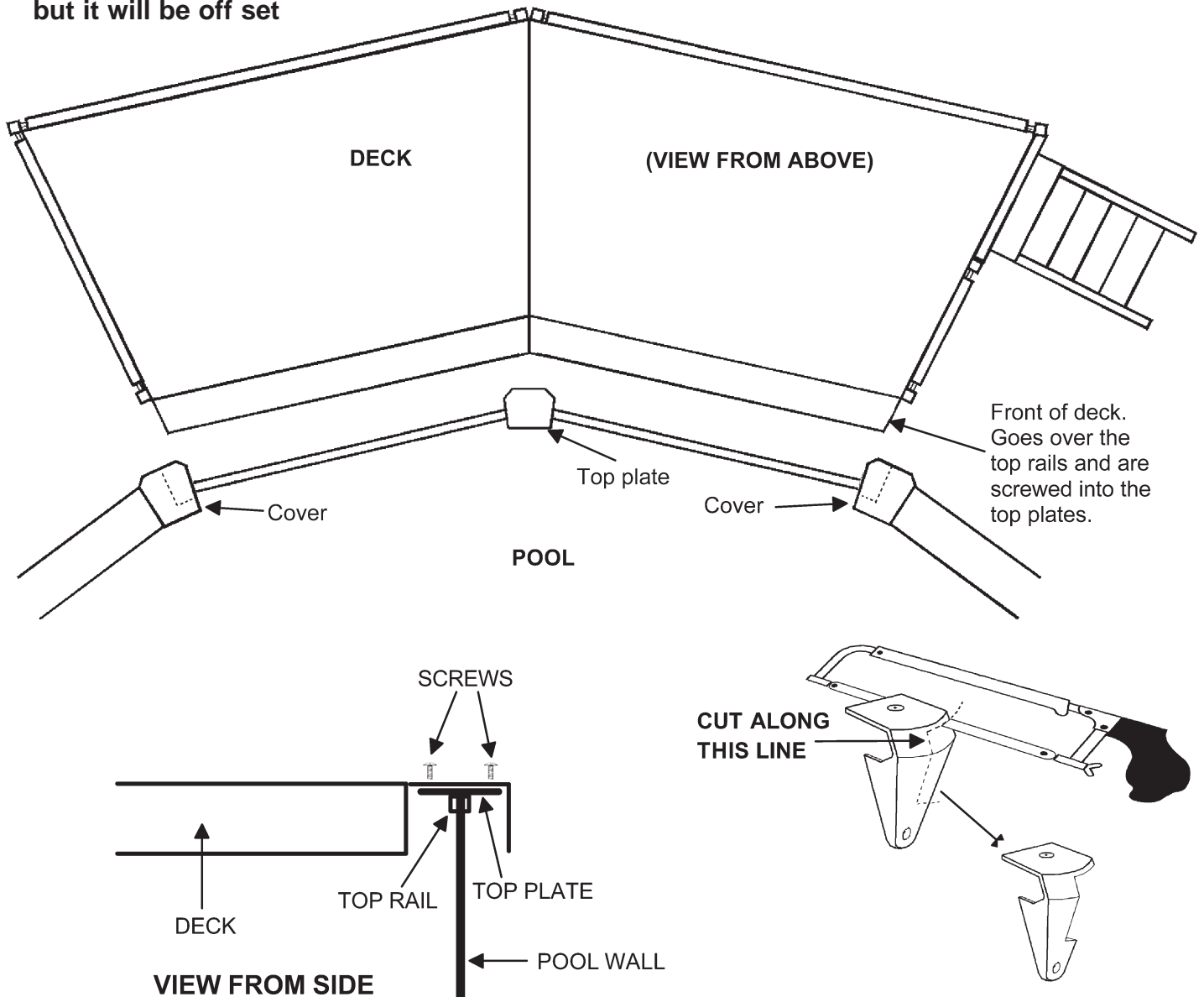
Move your deck into its final position.

Drill holes on top of the deck aligning with the holes of the top plates and tighten screws supplied for the removed ledges.

If your pool is equipped with full contour style ledge covers, it is necessary to cut them with a hacksaw as illustrated below.

This will enable the deck to mount closer to the pool.

*** Also fits 15 ft. Oval Pools
but it will be off set**



a) Assemble and mount the “Ground to Deck” Ladder to the deck using instructions packed inside it’s carton.

b) Assemble and mount In-Pool Ladder using instructions packed inside it’s carton.

10 ATTACHING HANDRAILS

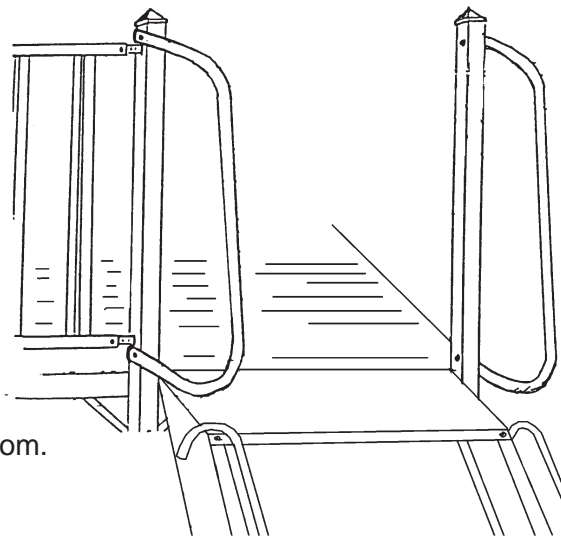
Attach the remaining handrails to the posts on each side of the ladder as shown in the picture to the right.

Attach the remaining handrails to the posts on each side of the ladder as shown in the picture to the right.

The picture doesn't show the gate for purposes of clarity. Using the handrail as a template, mark the posts and drill a 5/16" hole through the fence post, and secure using the 3" truss head screw, washer, and nut.

Use one screw at the top of each handrail and one at the bottom.

It is important that all four handrails be used, in order to assure a good, safe grip while the swimmer is on every step of the ladder.



**VIEW OF HANDRAIL PLACEMENT
(GATE NOT SHOWN FOR BETTER CLARITY)**

PREVENT DROWNING!

WHEN THE POOL IS NOT IN USE IT IS **IMPERATIVE** THAT THE DECK BE LOCKED WITH A LOCK, EITHER BY LOCKING THE SELF CLOSING GATE, OR IF YOU DO NOT HAVE A GATE, BY SWINGING THE LADDER UP INTO AN UPRIGHT VERTICAL POSITION, AND LOCKED WITH A LOCK THROUGH THE LATCH LOCK AS SHOWN IN THE LADDER INSTRUCTIONS.

YOUR DECK SHOULD BE SECURED TO THE GROUND IN THE EVENT OF ANY STRONG WIND OCCURRENCES!

This may be easily done by driving tent stakes into the ground firmly catching the Bottom Support Channels near each Post. If supplied, assemble your In-Pool Ladder according to the instructions packed in it's carton.

11 WARNING LABELS

With your deck you are provided with 5 additional Warning Labels. One Large Label (#490090) is to be permanently affixed to the top of the pool's Top Ledge at the entry point of the pool.

The two long, thin labels (#490091) are to be affixed on the inside of the pool's Top Ledge opposite to and facing the entry point of the pool. The two Square Labels (#490021) are to be affixed on the outside edge of the deck by the outside ladder.

To affix these labels, simply clean the area where the label is to be applied and peel off the backing and press the label firmly into place. Should you need any additional Labels for any reason, simply order them by part number from your local dealer or direct from the manufacturer.



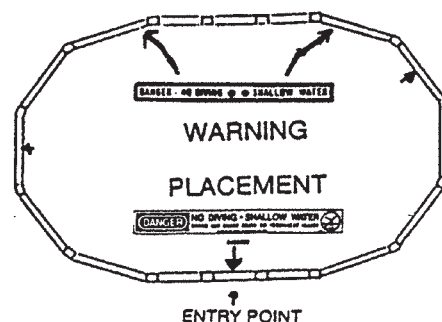
#490090



#490091



#490021



Consumer Awareness Booklets:

The following books are available through the National Pool & Spa Institute:

“The Sensible Way To Enjoy Your Pool”...published by the NSPI, October 1983 (revised September 1986),

“Children Aren't Waterproof”...published by the NSPI,

“Pool & Spa Emergency Procedures For Infants And Children”...published by the NSPI.

Contact: APSP

2111 Eisenhower Avenue, Alexandria, Virginia 22314 • (703) 838-0083

