

A-FRAME LADDER

INSTALLATION INSTRUCTIONS



LYFGARD LADDERS

Division of Swim'n Play, Inc.
313 Regina Avenue
Rahway, NJ 07065-4891
732-574-1500
www.swimnplay.com

GENERAL

Before you start, check to see that you have the correct number of parts. Use the packing list on the last page. Carefully read through and understand all the assembly steps before starting assembly.

NOTE: Lyfgard as a manufacturer reserves the right to revise, change, or modify construction of it's products.



DANGER

DO NOT DIVE OR JUMP into your pool. Your pool is approximately 4' deep. It is not designed for diving or jumping. If you dive or jump into your pool you run the risk of permanent injury or death. Alert all visitors and family of this and point out all warning labels supplied.

ADULT SUPERVISION REQUIRED

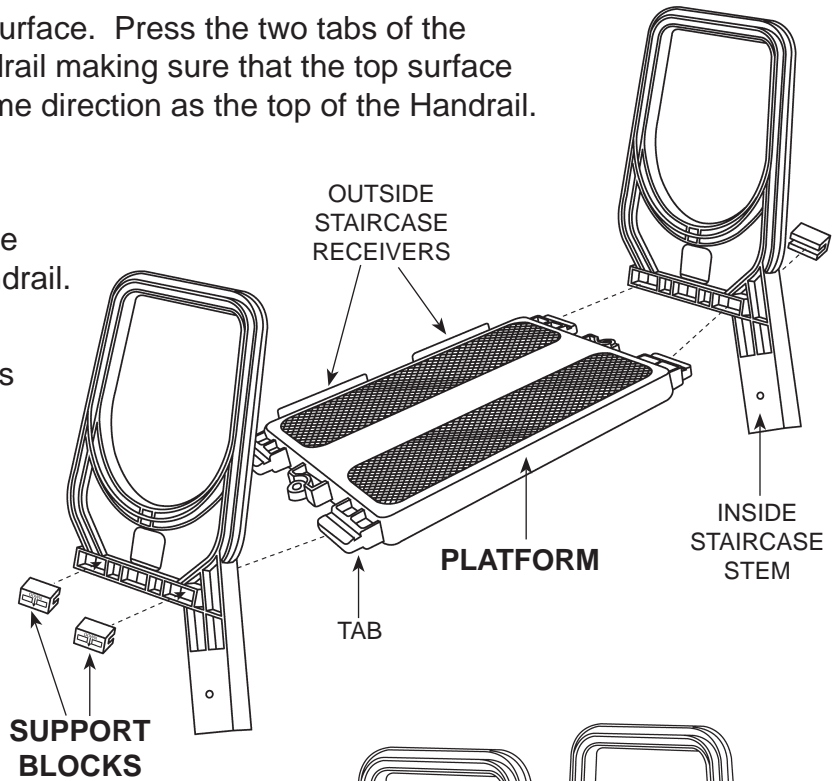
1

Lay one Handrail down on a flat surface. Press the two tabs of the Platform into the slots in the Handrail making sure that the top surface of the Platform is facing in the same direction as the top of the Handrail.

Also make sure that the Outside Staircase Receiver (long channel running along one edge of the Platform) is on the side opposite from the Inside Staircase Stems of the Handrail.

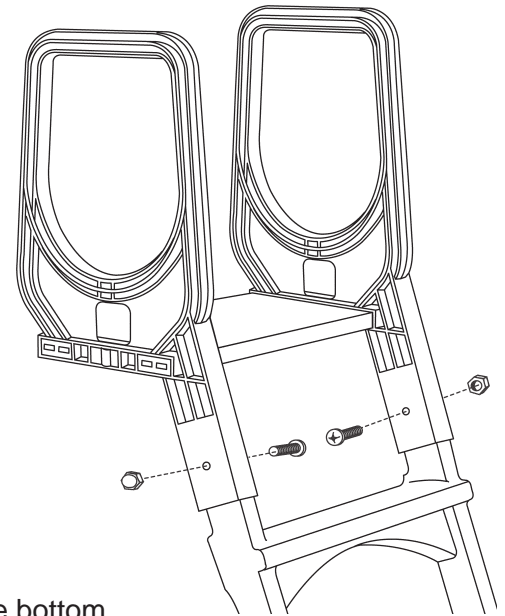
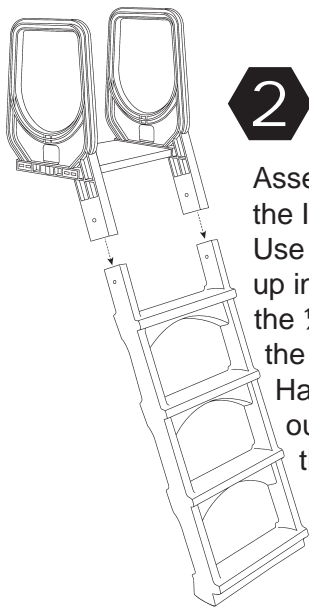
Install a Support Block to "lock in" each Platform tab by pressing the Support Blocks through the slots of the Handrail and onto the tabs. Note carefully to position the down arrow of the Support Block correctly. Tap the Support Blocks firmly into place using a rubber mallet.

Assemble the other Handrail to the opposite side of the platform making sure that you mount it facing identically to the Handrail already attached.



2

Assemble the Inside Pool Ladder Staircase into the Inside Staircase Stems of the two Handrails. Use a rubber mallet to tap the Staircase all the way up into the Handrail. Secure the assembly with the 1/4" x 20 x 2 1/4" Stainless Steel Bolts, passing the bolts first through the inside section of the Handrail, the Staircase, and through the outside section of the Handrail. Fasten with the Cap Nuts Provided.



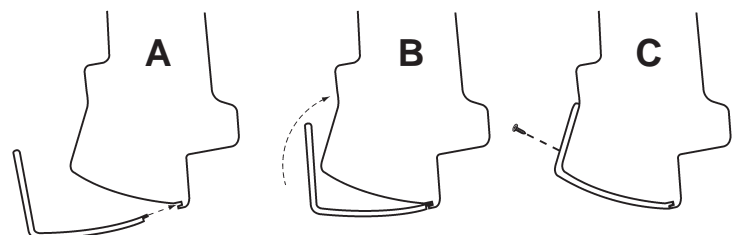
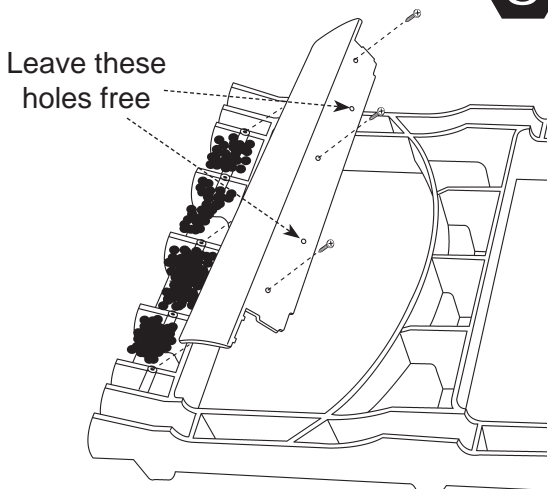
3

Weight must be added to the bottom of the pool staircase. A coarse gravel or sand may be used. If you use sand, you must seal the sand in a plastic bag to prevent the sand from going into your pool.

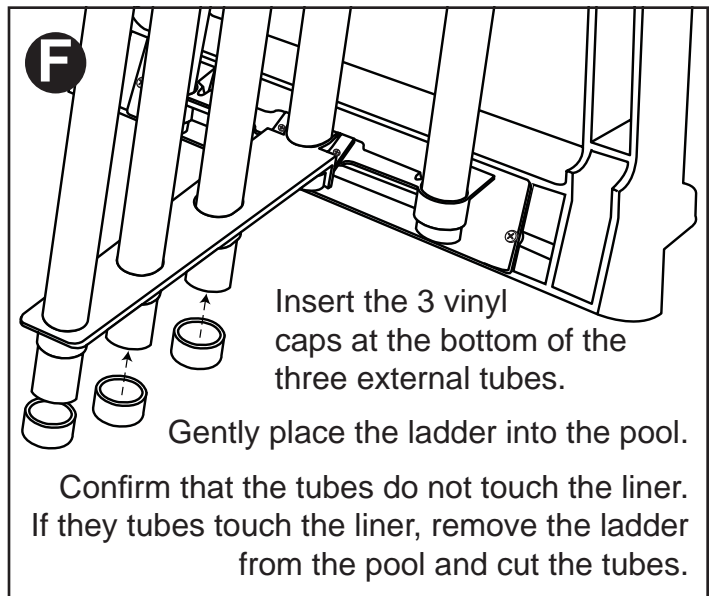
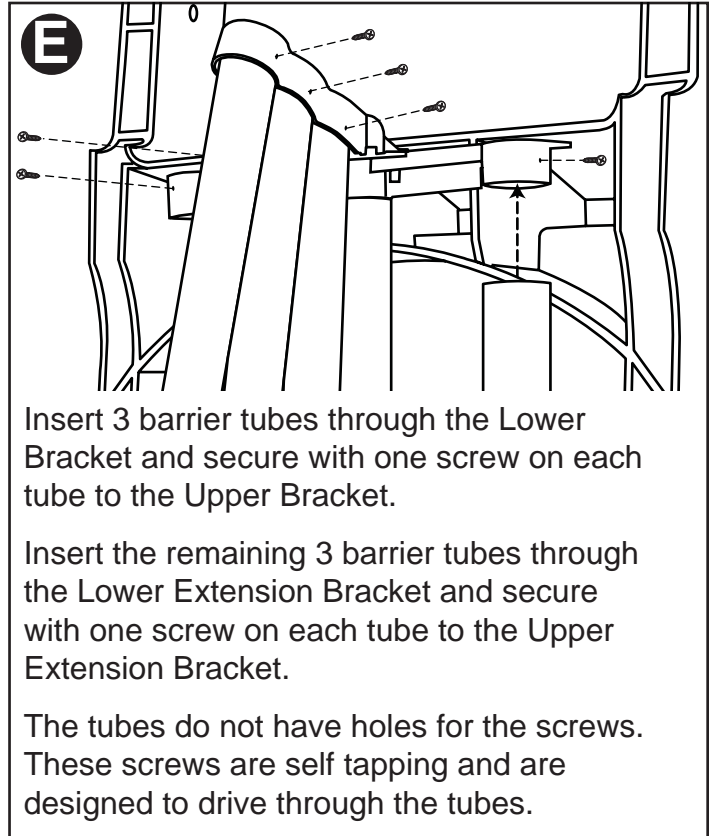
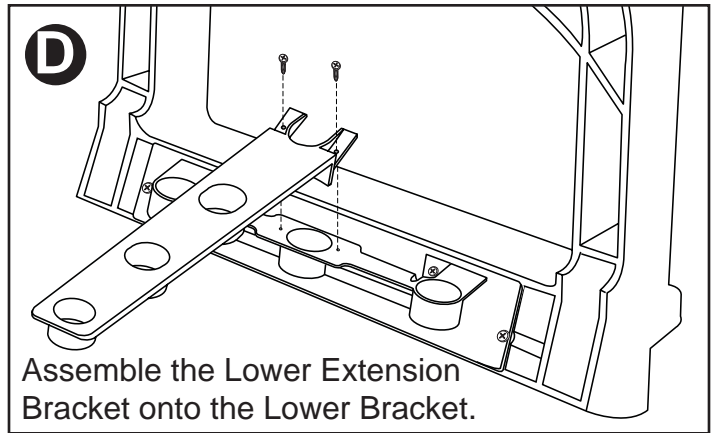
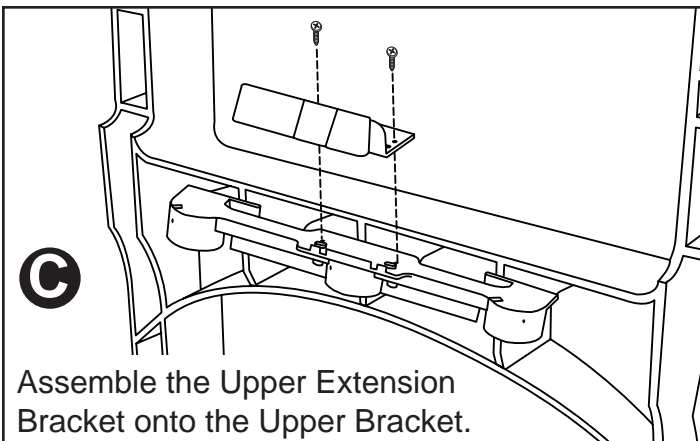
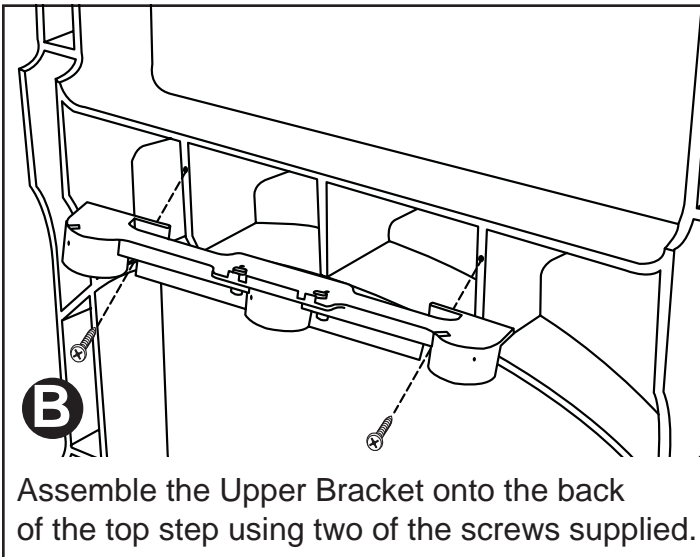
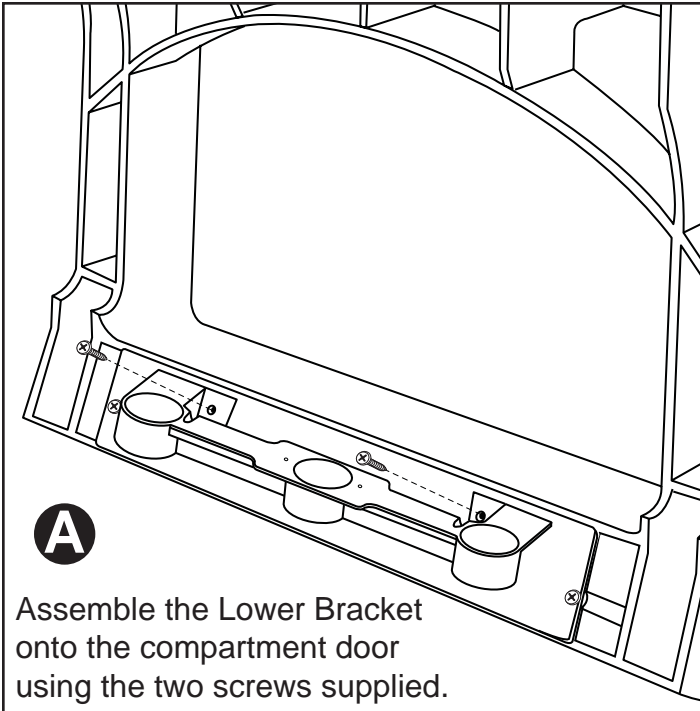
Simply insert the bags of sand or gravel into the four compartments. Then place the compartment door over the compartments, lining up the screw holes.

Assemble the door by inserting it into the groove in the ladder body and securing using the three (3) #10 x 5/8" screws supplied.

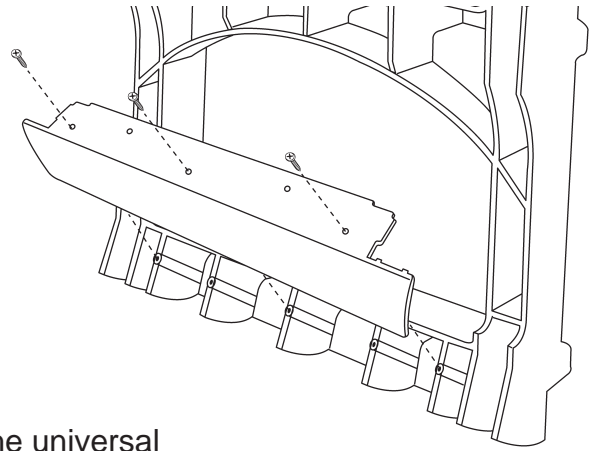
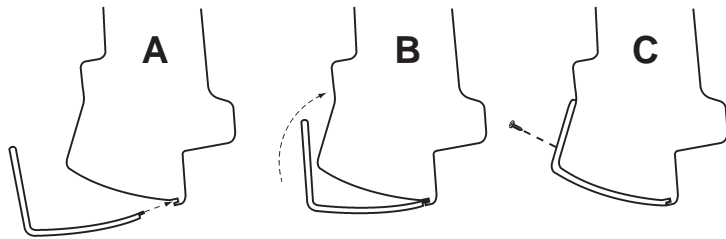
Leave these holes free



4 Installation of Ladder Barrier
Ladder barrier is to be assembled to the ladder staircase that goes into the pool.

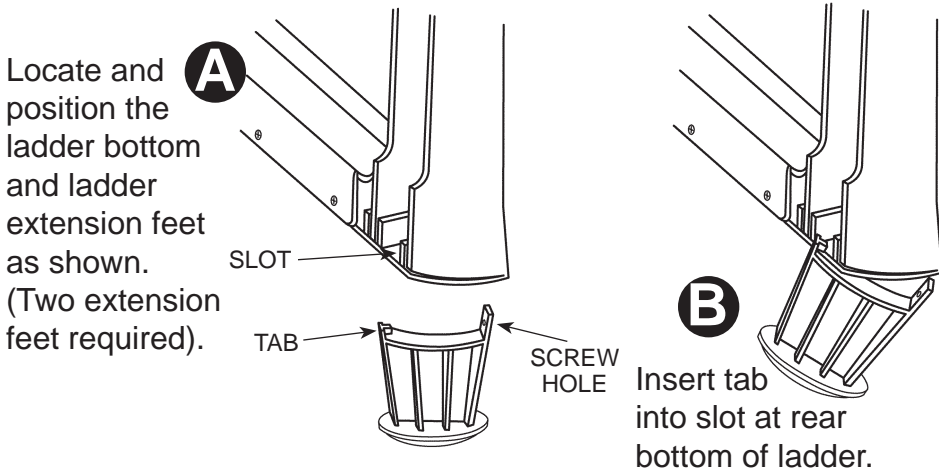


5 Close the compartment on the bottom of the outside staircase as shown, similar to step 3 but without putting weight into it.



6 For Pools 52" or 54" deep and you are assembling the universal ladder attach the extension feet as follows:

Note: these extension feet are not required for a 48" or 50" pool.



Rotate extension foot up into position. Insert screw #10 x 1" into hole and fasten securely to ladder. Repeat this for each corner.

7 Holding the inside pool ladder staircase assembly under the water, slightly twist the assembly to the side to allow any and all trapped air to escape.

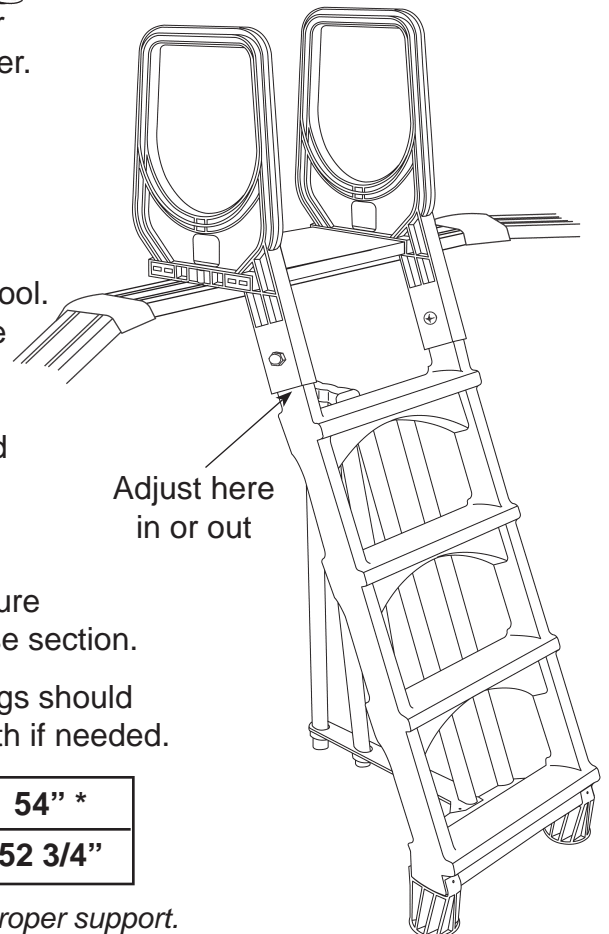
Place the ladder assembly back onto the top ledge of the pool. Check the levelness of the ladder when the inside staircase is touching the bottom of the pool. It may be necessary to adjust the levelness by either sliding the staircase section out of the handrail slightly, or by removing the staircase and cutting some of the straight section to allow you to put the staircase assembly further into the handrail.

In either case, drill the two holes in the staircase section and secure with the two bolts as described earlier. Make sure that the bolt goes through both the handrail and the staircase section.

Use the following chart to determine how long your base legs should be. Use a hack saw and then cut them to the required length if needed.

POOL DEPTH	48"	50"	52"	54" *
BRACE LENGTH	48 3/4"	50 3/4"	52 3/4"	52 3/4"

* You must use additional patio blocks under the brace pad for proper support.



8 Place the Platform / Handrail assembly assembled above onto the ledge of the pool. Make sure that the two round receivers underneath the Platform that the legs of the Support Brace will eventually be fitted into clear the ledge on the outside of the pool.

Position the ladder so that the distance between the barrier and the inside of the pool wall must be between 3 and 4 inches. (See close-up 8A).

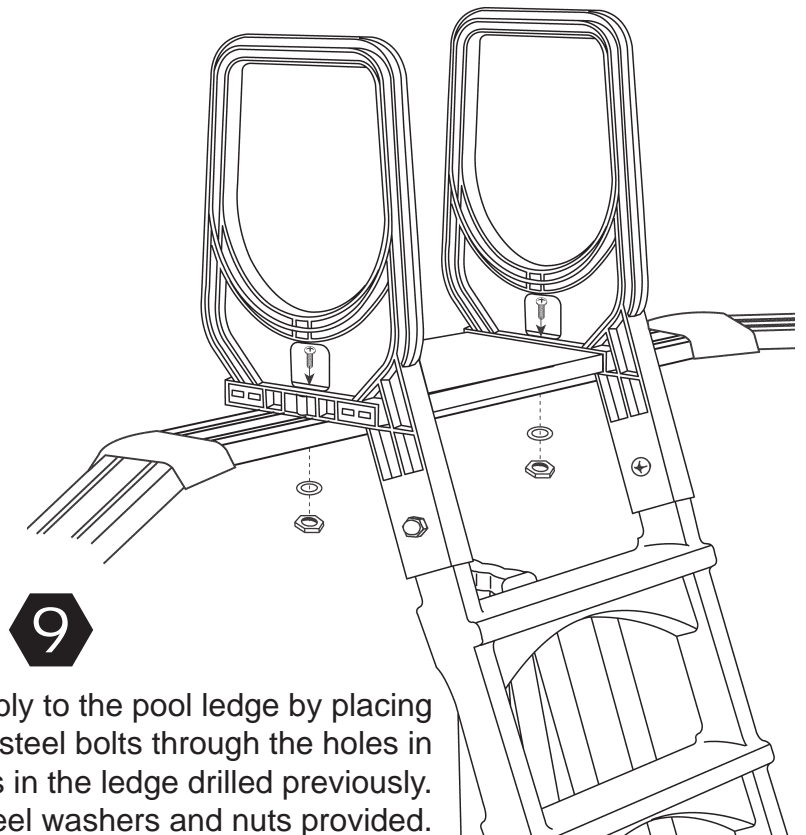
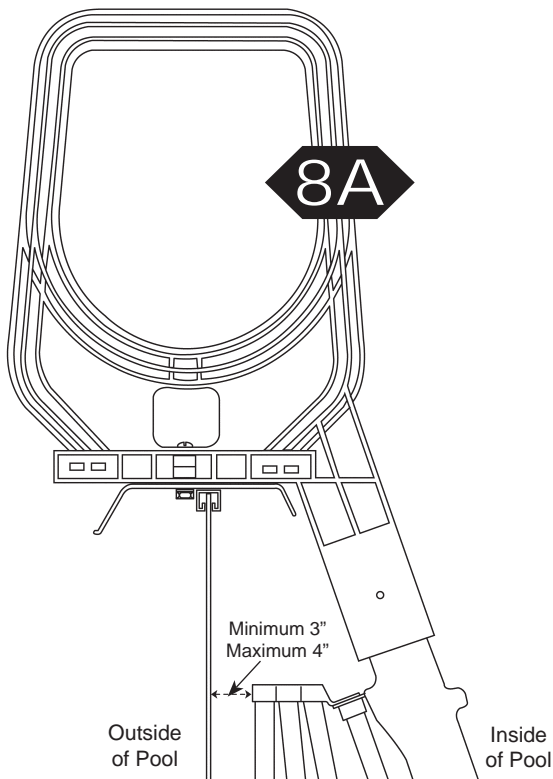
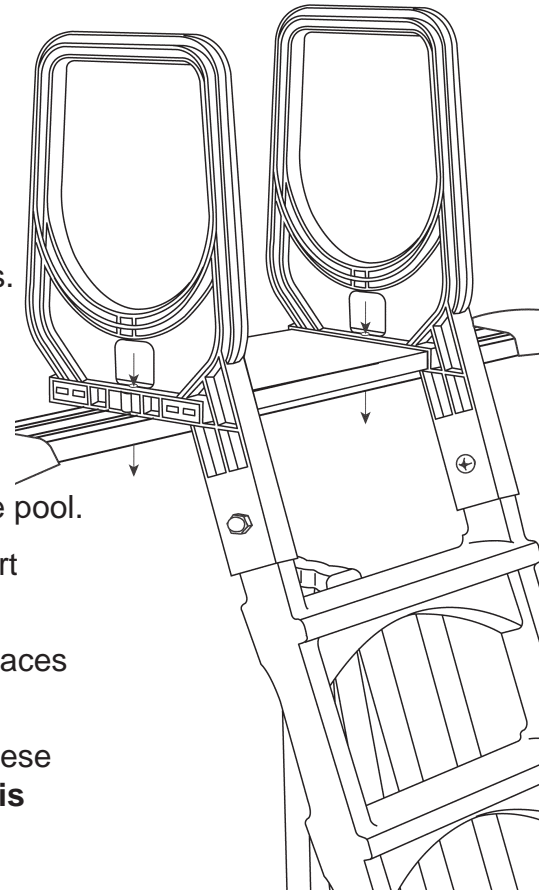
Find the two holes in the top of the Platform and mark these holes on the ledge with a pencil.

Look under the ledge to make sure that drilling holes at these two places will not hit the wall or any other structural part of the pool.

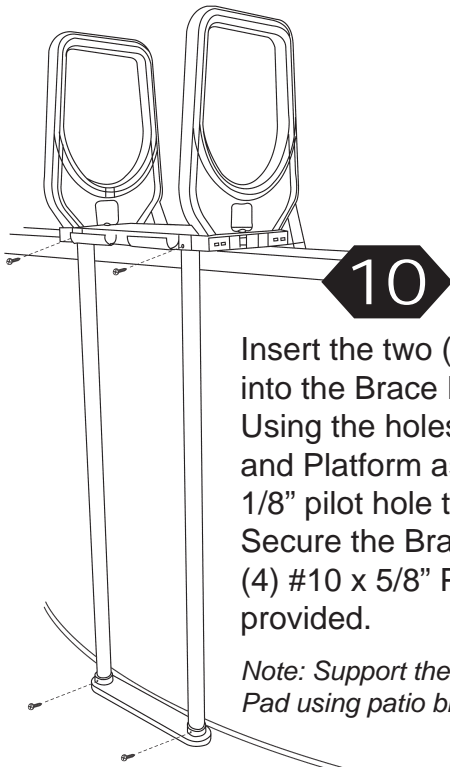
Using a tape measure, verify that the pencil marks are 19" apart from center to center.

CHECK AGAIN to make sure that drilling holes at these two places will not hit the wall or any other structural part of the pool.

Using a 7/16" drill bit, drill carefully through the pool ledge at these two locations, being careful because **any metal chips or debris falling into the pool could cause damage to the liner.**



Fasten the entire ladder assembly to the pool ledge by placing two 3/8 x 16 x 2 1/4" stainless steel bolts through the holes in the platform and through the holes in the ledge drilled previously. Fasten with stainless steel washers and nuts provided.

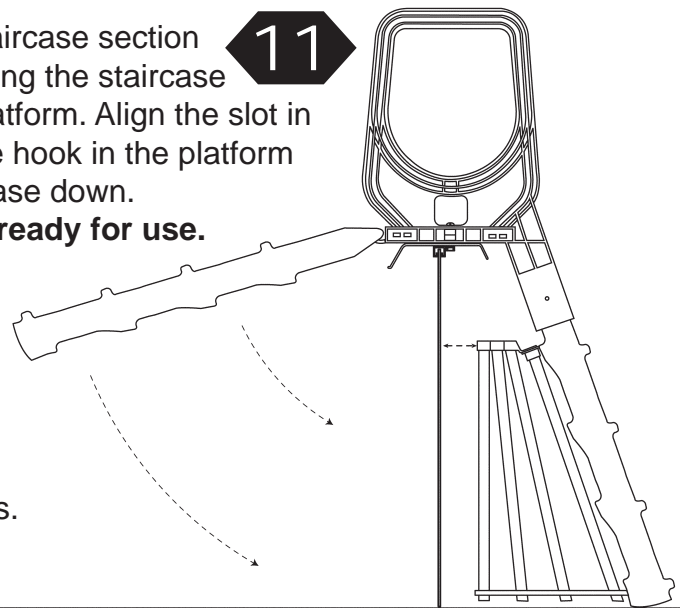


Insert the two (2) Brace Legs into the Brace Pad and Platform. Using the holes in the Brace Pad and Platform as a template drill a 1/8" pilot hole through the Brace Legs. Secure the Brace Legs using four (4) #10 x 5/8" Pan head Screws provided.

Note: Support the bottom of the Brace Pad using patio blocks (not supplied).

Install the outside staircase section to the ladder by holding the staircase horizontally to the platform. Align the slot in the staircase with the hook in the platform and lower the staircase down.

Your ladder is now ready for use.



CAUTIONS

- Locate the ladder on a solid base.
- Only one person on the ladder at a time.
- Always face the ladder when using.
- The ladder must be installed as per manufacturers instructions.
- **DANGER! NO DIVING - NO JUMPING**
Permanent injury or death may result.
- Remove outside staircase section when not in use to prohibit unauthorized entry into the pool.
- Warning labels have been supplied already attached to your ladder. Should you need additional labels for any reason, either contact your local pool dealer or the manufacturer, and order the label with the part number.
- **DANGER!** Do not swim behind, through, or around the ladder! This may cause entrapment resulting in permanent injury or death.



Division of Swim'n Play, Inc.
313 Regina Avenue, Rahway, NJ 07065-4891
www.swimnplay.com

LG AF DLX PACKING LIST

ITEM DESCRIPTION	PART #	QTY.
IN POOL STAIRCASE	361274	1
OUTSIDE STAIRCASE	361275	1
PLATFORM	361238	1
COMPARTMENT DOOR	361276	2
EXTENSION FEET	361243	4
SUPPORT BLOCK	361239	4
BRACE LEGS	700137	2
21" HANDRAIL	361242	2
1/4 - 20 X2 1/4" S.S. BOLT	460178	2
1/4 - 20 S.S. CAP NUT	460179	2
3/8 - 16X2 1/4" S.S. BOLT	460180	2
3/8 - 16 S.S. HEX NUTS	460182	2
3/8 S.S. WASHER	460181	4
#10 X 5/8" S.S. PAN HEAD SCREW	460191	10
"DO NOT SWIM THROUGH" LABEL (APPLIED TO HANDRAIL)	490158	2
"DO NOT DIVE" LABELS (APPLIED TO HANDRAIL)	490157	2
"REMOVE WHEN NOT IN USE" LABEL (APPLIED TO OUTSIDE STAIRCASE)	490159	1
LARGE "DO NOT DIVE" LABEL (APPLIED TO PLATFORM)	490156	1
INSTRUCTIONS	420490	1
5 YEAR LIMITED WARRANTY	420516	1
#10 X 1" ROUND HEAD S.S. SCREW	460169	4
LOWER BRACKET	361262	1
UPPER BRACKET	361261	1
LOWER EXTENSION BRACKET	361264	1
UPPER EXTENSION BRACKET	361263	1
BARRIER TUBES	604079	6
SCREWS	460221	14
VINYL CAPS	603079	3
BRACE PAD	361240	1