

IN-POOL LADDER



INSTALLATION INSTRUCTIONS




Division of Swim'n Play, Inc.
313 Regina Avenue
Rahway, NJ 07065-4891
732-574-1500
www.swimnplay.com

GENERAL

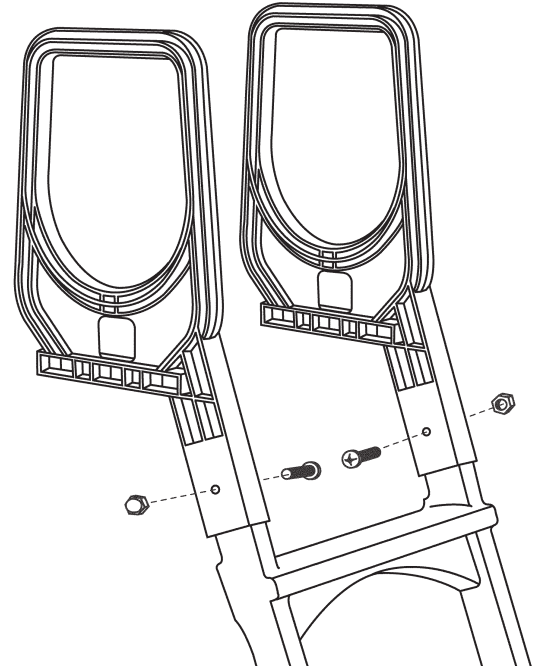
Before you start, check to see that you have the correct number of parts. Use the packing list on the last page. Carefully read through and understand all the assembly steps before starting assembly.

NOTE: Lyfgard as a manufacturer reserves the right to revise, change, or modify construction of it's products.

<p>DANGER NO DIVING SHALLOW WATER</p>  <p>DIVING MAY CAUSE DEATH OR PERMANENT INJURY</p> <p><small>48021 DO NOT DEFACE, COVER OR PAINT OVER THIS SIGN</small></p>	<p>DANGER DO NOT DIVE OR JUMP into your pool. Your pool is approximately 4' deep. It is not designed for diving or jumping. If you dive or jump into your pool you run the risk of permanent injury or death. Alert all visitors and family of this and point out all warning labels supplied.</p> <p>ADULT SUPERVISION REQUIRED</p>
---	--

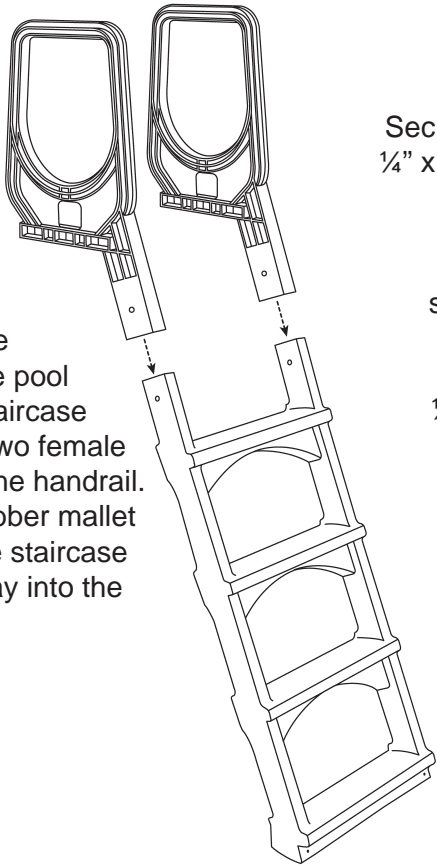
2

Secure the assembly with the 1/4" x 20 x 2 1/4" Stainless Steel Screws going through the inside section of the handrail, the ladder staircase, and through the outside section of the handrail. Fasten with the 1/4" - 20 Cap Nut provided.



1

Assemble the inside pool ladder staircase into the two female ends of the handrail. Use a rubber mallet to tap the staircase all the way into the handrail.



3

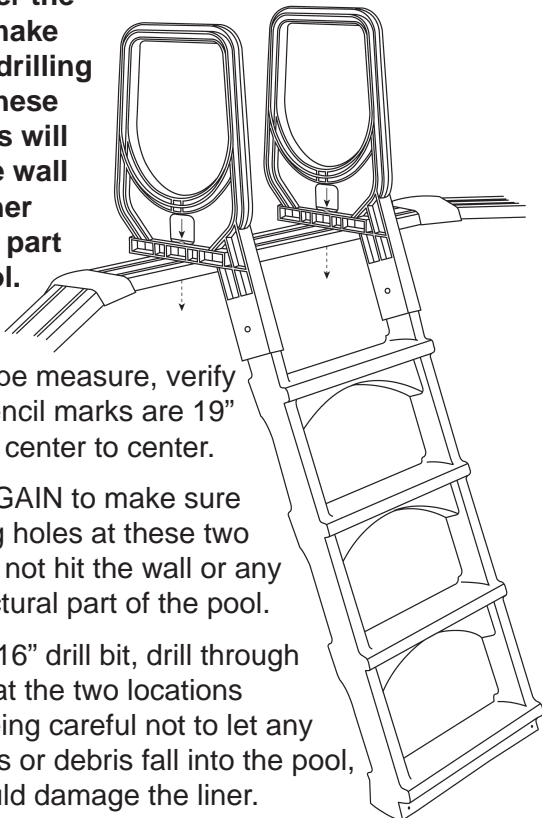
Place the ladder assembly assembled above onto the ledge of the pool. Find the holes in the center of each hand rail and mark these holes on the ledge with a pencil.

Look under the ledge to make sure that drilling holes at these two places will not hit the wall or any other structural part of the pool.

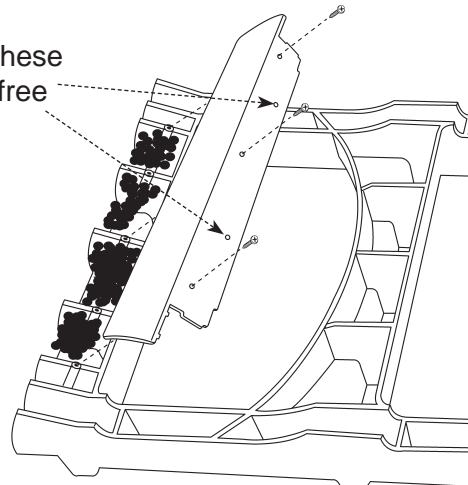
Using a tape measure, verify that the pencil marks are 19" apart from center to center.

CHECK AGAIN to make sure that drilling holes at these two places will not hit the wall or any other structural part of the pool.

Using a 7/16" drill bit, drill through the ledge at the two locations marked being careful not to let any metal chips or debris fall into the pool, as this could damage the liner.



Leave these holes free

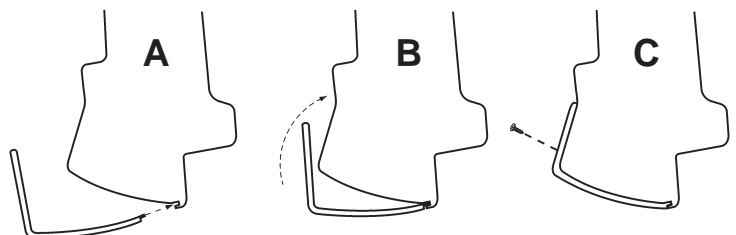


4

Weight must be added to the bottom of the pool staircase. A coarse gravel or sand may be used. If you use sand, you must seal the sand in a plastic bag to prevent the sand from going into your pool.

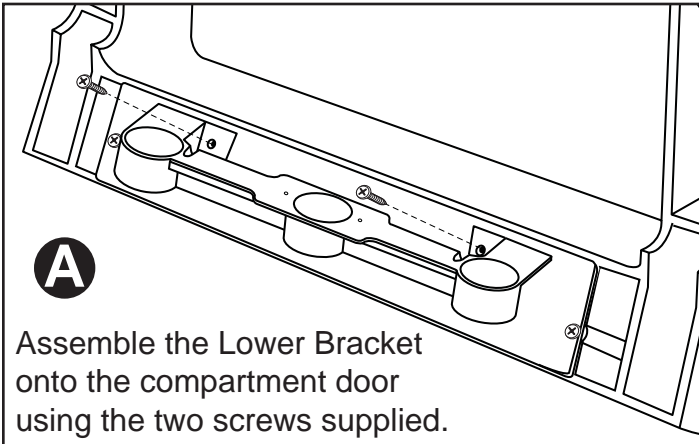
Simply insert the bags of sand or gravel into the four compartments. Then place the compartment door over the compartments, lining up the screw holes.

Assemble the door by inserting it into the groove in the ladder body and securing using the three (3) #10 x 5/8" screws supplied.

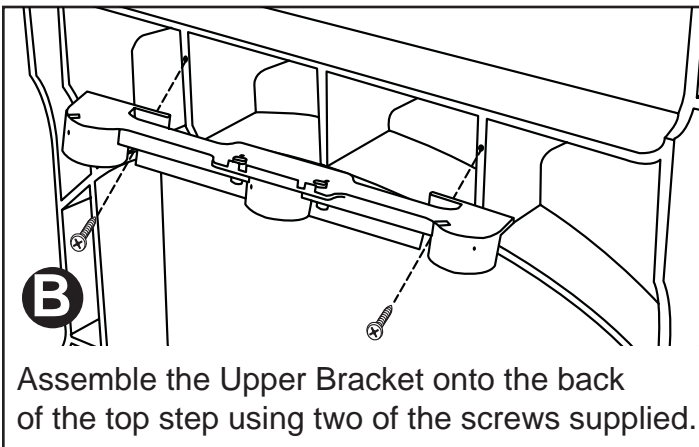


5 Installation of Ladder Barrier

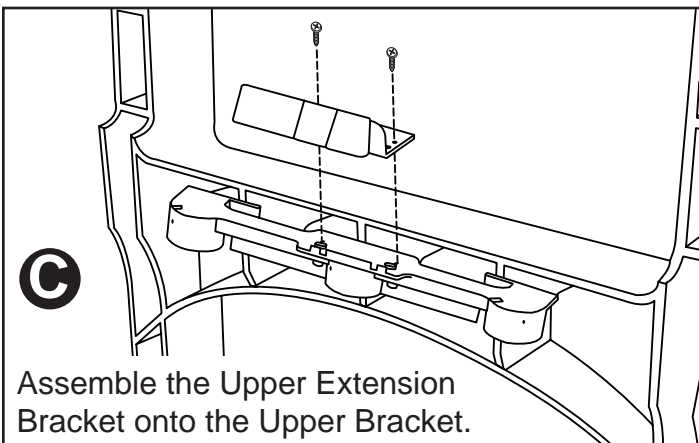
Ladder barrier is to be assembled to the ladder staircase that goes into the pool.



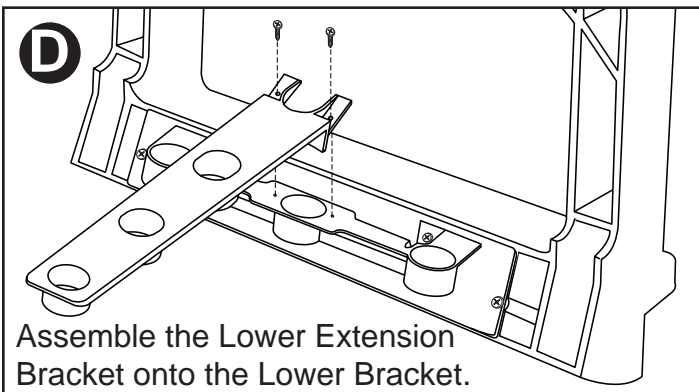
A
Assemble the Lower Bracket onto the compartment door using the two screws supplied.



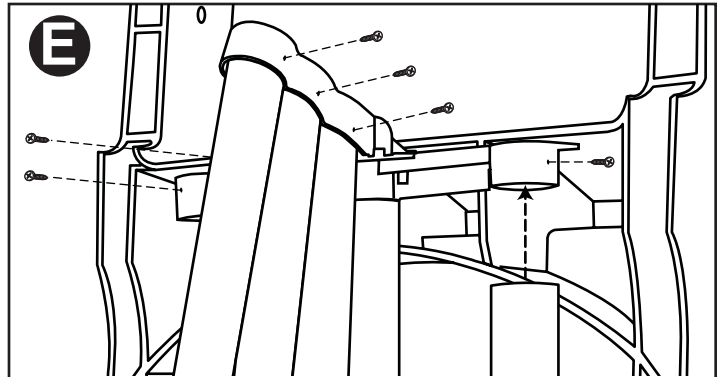
B
Assemble the Upper Bracket onto the back of the top step using two of the screws supplied.



C
Assemble the Upper Extension Bracket onto the Upper Bracket.



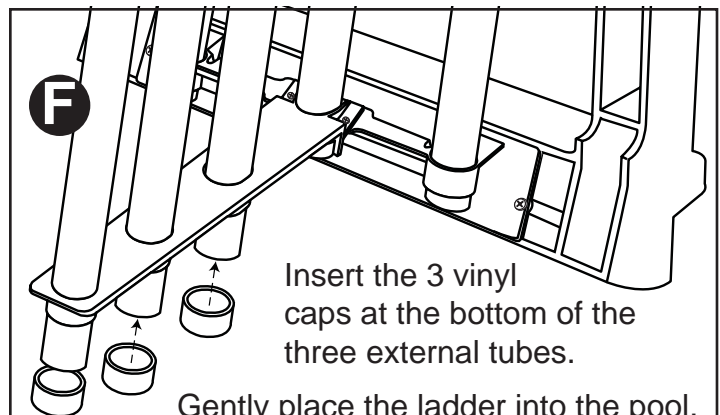
D
Assemble the Lower Extension Bracket onto the Lower Bracket.



E
Insert 3 barrier tubes through the Lower Bracket and secure with one screw on each tube to the Upper Bracket.

Insert the remaining 3 barrier tubes through the Lower Extension Bracket and secure with one screw on each tube to the Upper Extension Bracket.

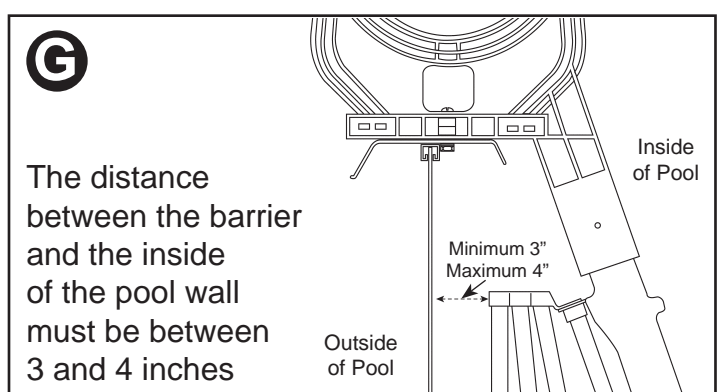
The tubes do not have holes for the screws. These screws are self tapping and are designed to drive through the tubes.



F
Insert the 3 vinyl caps at the bottom of the three external tubes.

Gently place the ladder into the pool.

Confirm that the tubes do not touch the liner. If they tubes touch the liner, remove the ladder from the pool and cut the tubes.



G
The distance between the barrier and the inside of the pool wall must be between 3 and 4 inches

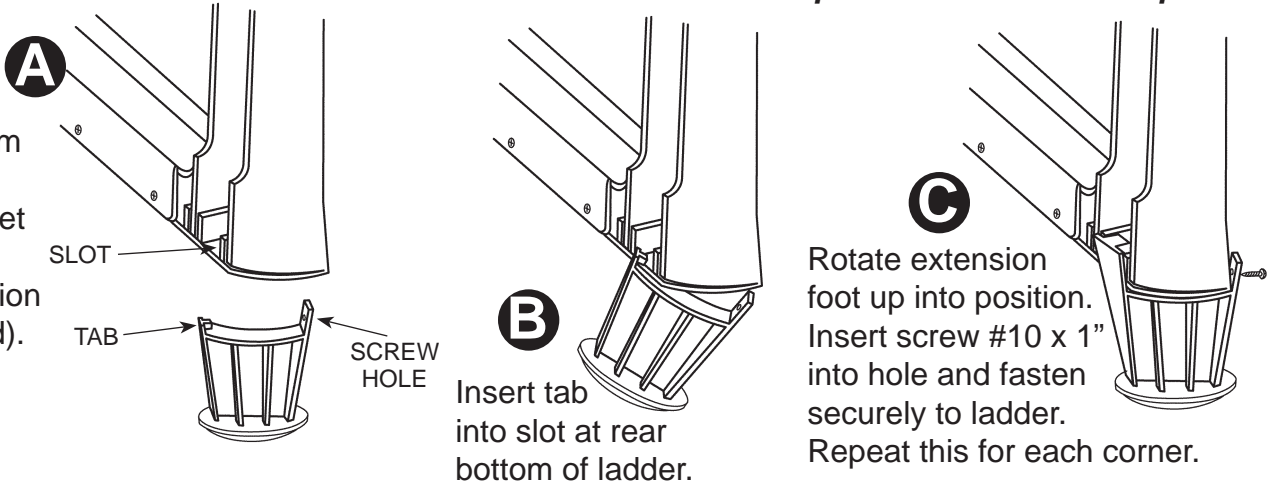
Inside of Pool
Minimum 3"
Maximum 4"
Outside of Pool

6

For Pools 52" or 54" deep and you are assembling the universal ladder attach the extension feet as follows:

Note: these extension feet are not required for a 48" or 50" pool.

Locate and position the ladder bottom and ladder extension feet as shown. (Two extension feet required).



7

Holding the inside pool ladder staircase assembly under the water, slightly twist the assembly to the side to allow any and all trapped air to escape.

Place the ladder assembly back onto the top ledge of the pool. Check to ensure that the ladder is level with the inside staircase touching the bottom of the pool.

It may be necessary to adjust the ladder by either sliding the staircase section out of the handrail slightly, or by removing the staircase and cutting some of the straight section to allow you to put the staircase assembly into the handrail further. In either case, drill the two holes in the staircase section and secure with the two bolts as described earlier.

Adjust here in or out

Make sure that the bolt goes through both the handrail and the staircase section. Fasten the entire assembly to the pool ledge by placing two 3/8" x 16 x 2 1/4" stainless steel bolts through the holes in the platform and through the holes in the ledge drilled previously. Fasten with stainless steel washers and nuts provided.

Your ladder is now ready for use.

CAUTIONS

- Locate the ladder on a solid base.
- Only one person on the ladder at a time.
- Always face the ladder when using.
- The ladder must be installed as per manufacturers instructions.
- **DANGER! NO DIVING - NO JUMPING** Permanent injury or death may result.
- Warning labels have been supplied already attached to your ladder. Should you need additional labels for any reason, either contact your local pool dealer or the manufacturer, and order the label with the part number.
- **DANGER!** Do not swim behind, through, or around the ladder! This may cause entrapment resulting in permanent injury or death.

LG IP DLX PACKING LIST

ITEM DESCRIPTION	PART #	QTY.
IN POOL STAIRCASE	361274	1
COMPARTMENT DOOR	361276	1
EXTENSION FEET	361243	2
21" HANDRAIL	361242	2
1/4 - 20 X2 1/4" S.S. BOLT	460178	2
1/4 - 20 S.S. CAP NUT	460179	2
3/8 - 16X2 1/4" S.S. BOLT	460180	2
3/8 - 16 S.S. HEX NUTS	460182	2
3/8 S.S. WASHER	460181	4
#10 X 5/8" S.S. PAN HEAD SCREW	460191	3
"DO NOT SWIM THROUGH" LABEL (APPLIED TO HANDRAIL)	490158	2
"DO NOT DIVE" LABELS (APPLIED TO HANDRAIL)	490157	2
INSTRUCTIONS	420491	1
5 YEAR LIMITED WARRANTY	420516	1
#10 X 1" ROUND HEAD S.S. SCREW	460169	2
LOWER BRACKET	361262	1
UPPER BRACKET	361261	1
LOWER EXTENSION BRACKET	361264	1
UPPER EXTENSION BRACKET	361263	1
BARRIER TUBES	604079	6
SCREWS	460221	14
VINYL CAPS	603079	3