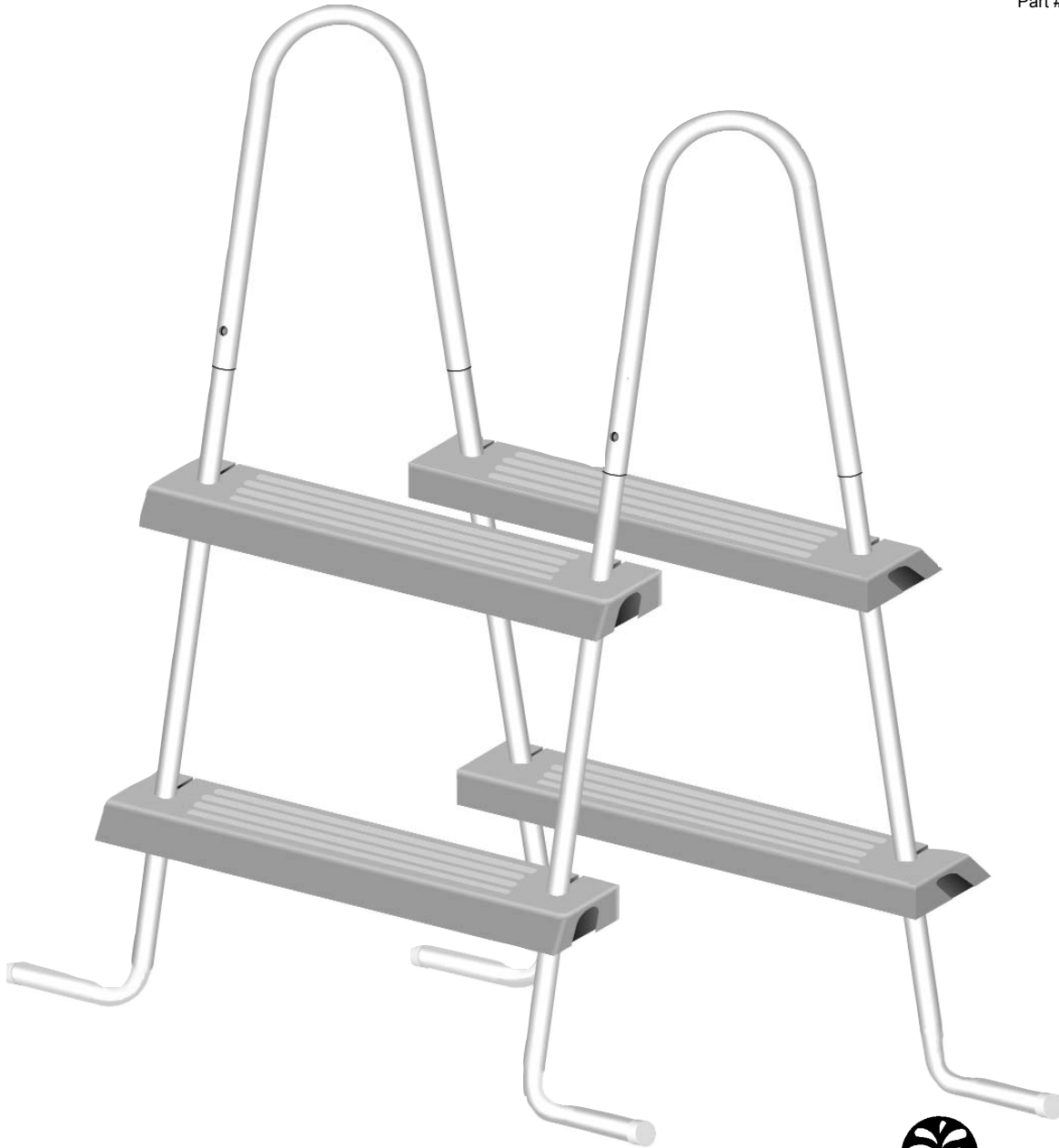


LADDER INSTRUCTIONS

0,9M • 1,05M • 1,20M

36", 42" & 48"

Part # 420682-10




Swim'n Play, Inc.
Makers of Fine Above Ground Pools®

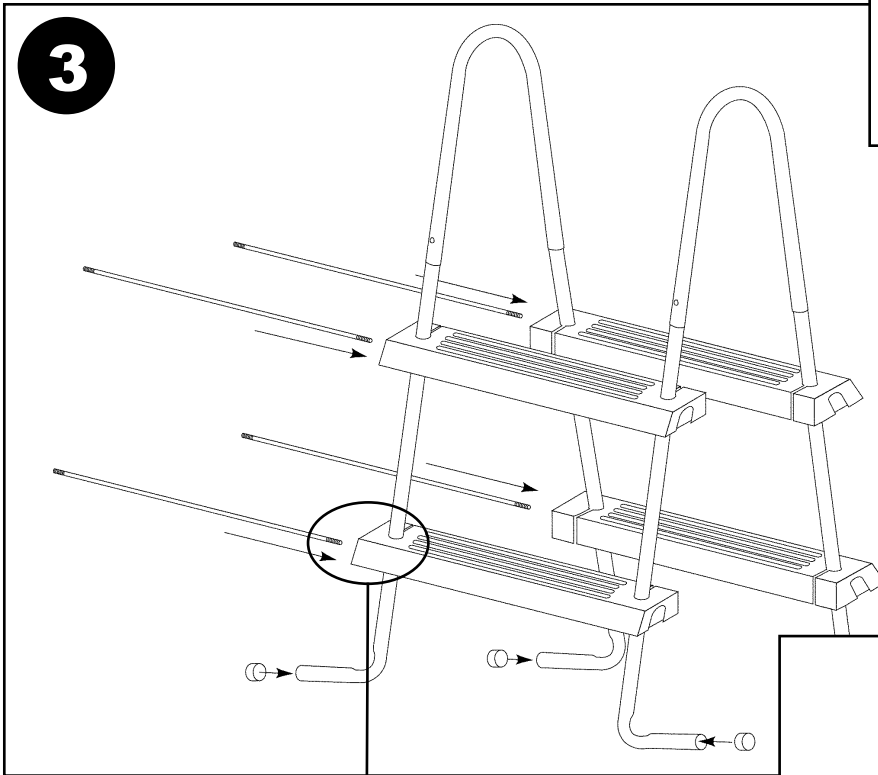
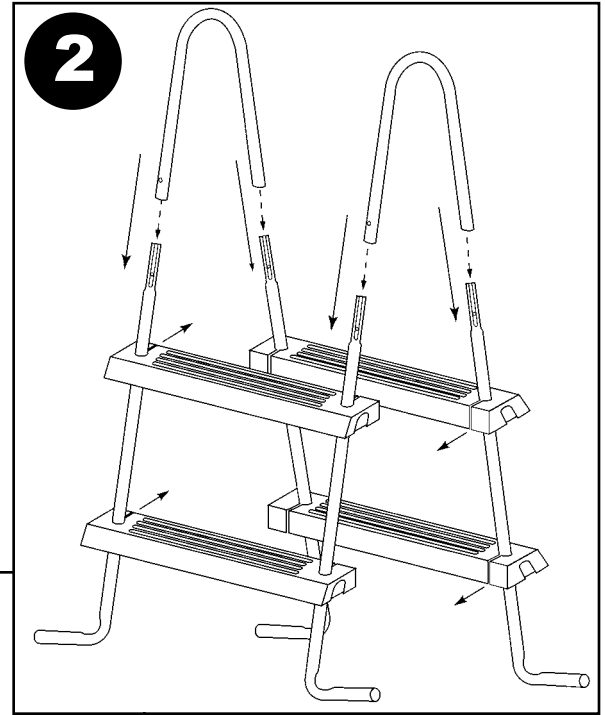
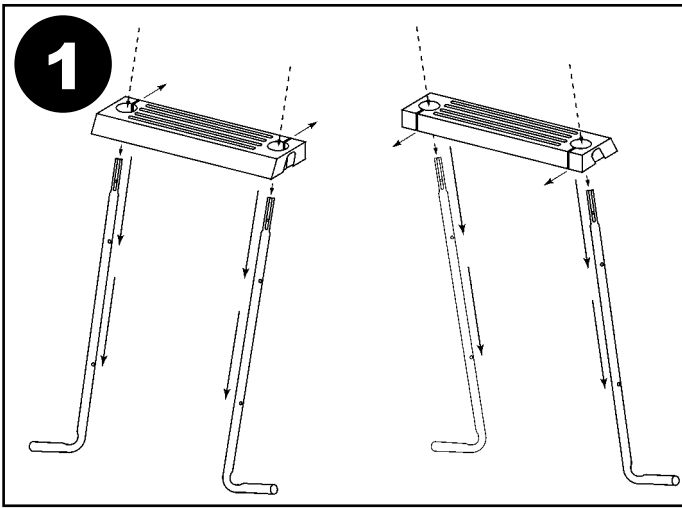
313 Regina Avenue
Rahway, NJ 07065

Phone: (732) 574-1500

Fax: (732) 574-1551

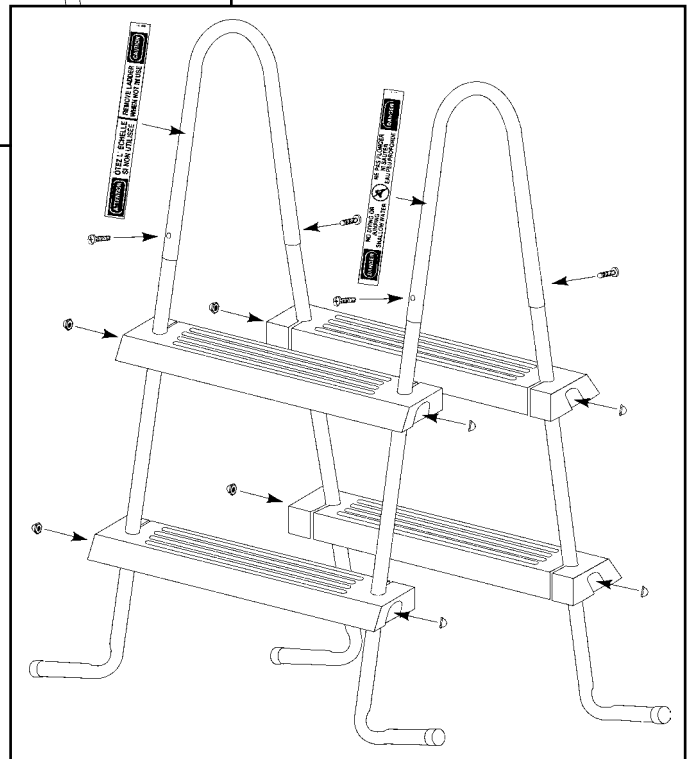
www.swimnplay.com

e-mail: info@swimnplay.com

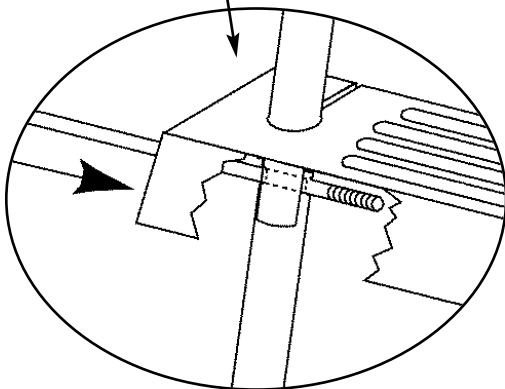
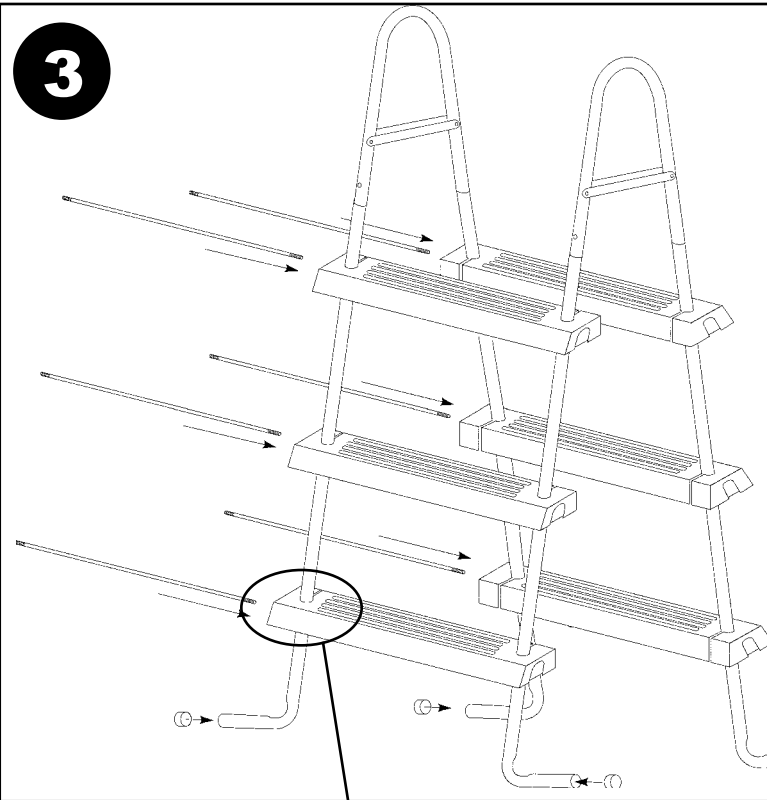
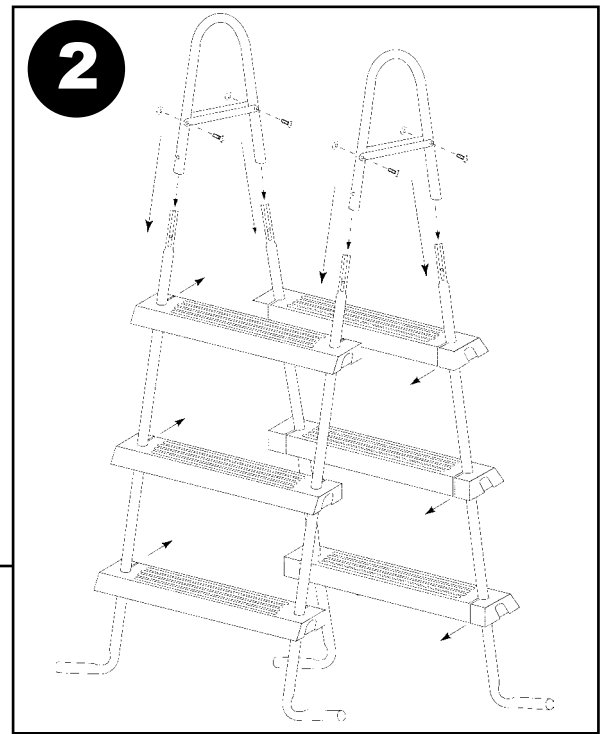
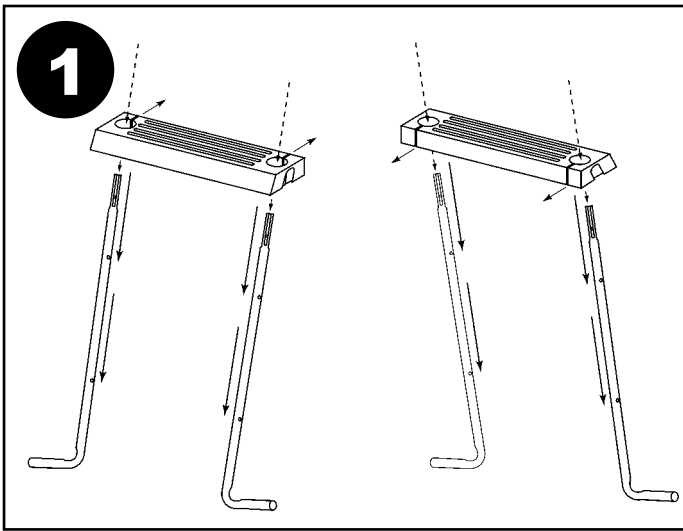


**INSTRUCTIONS
FOR 36"
LADDERS**

**INSTRUCTIONS
FOR 0,9M
LADDERS**



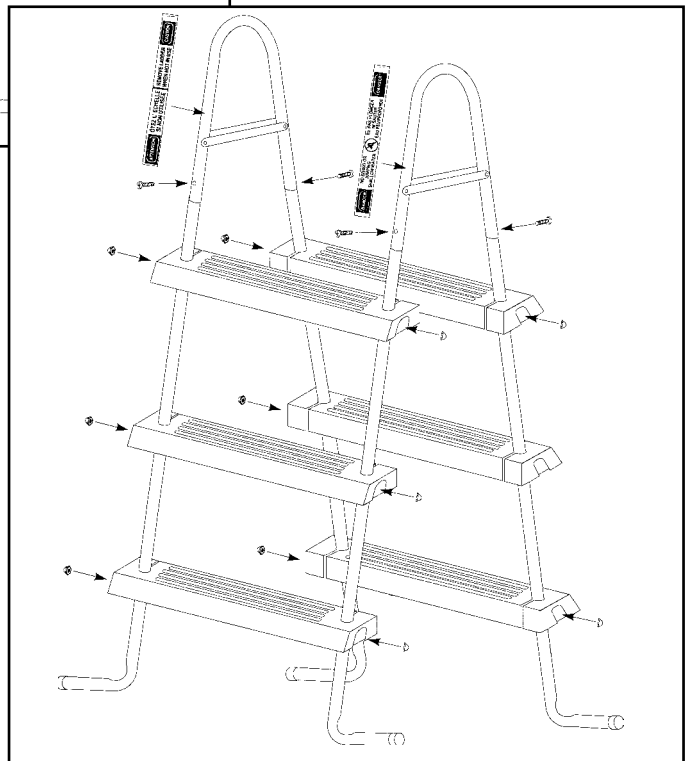
**Prevent drowning!
Watch children at all times
Pool not designed for diving or jumping!**






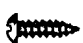

Prevent drowning!
Watch children at all times
Pool not designed for diving or jumping!

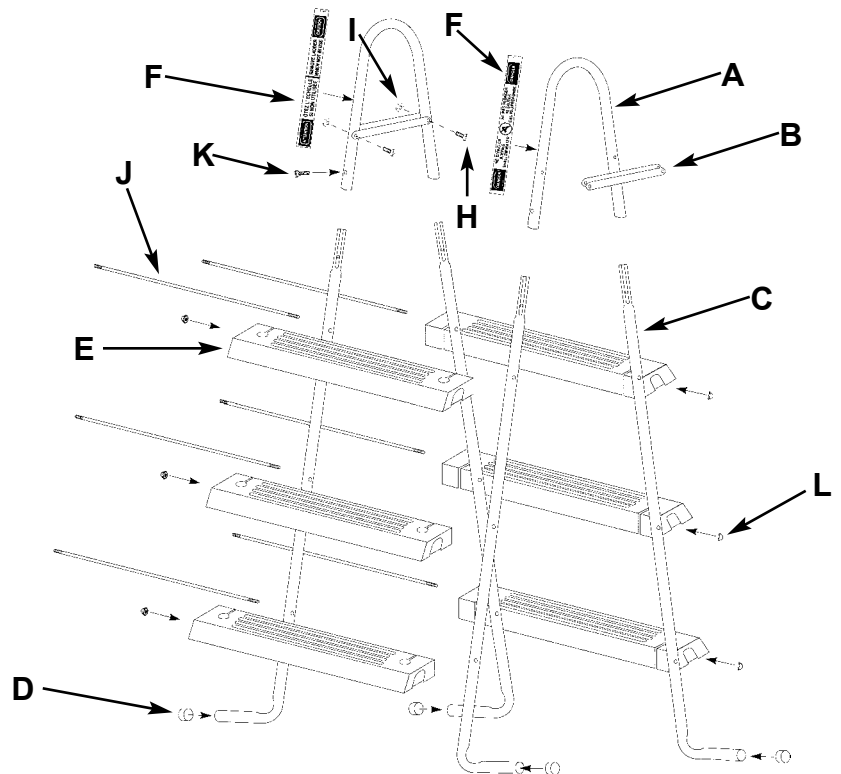
**INSTRUCTIONS
FOR 42"
AND 48" LADDERS**

**INSTRUCTIONS
FOR 1,05M
AND 1,20M LADDERS**



PARTS LIST

		36" LADDER 0,90m		42" LADDER 1,05m		48" LADDER 1,20m	
KEY	PART NAME	PART#	QTY	PART#	QTY	PART#	QTY
A	HANDRAIL	200073	2	200152	2	200152	2
B	BRACE	-	-	230099	2	230099	2
C	RISER	200154	4	200153	4	200155	4
D	PLASTIC CAP	603025	4	603025	4	603025	4
E	WHITE STEP	361132	4	361132	6	361132	6
F	"REMOVE LADDER" LABEL	490210	2	490210	2	490210	2
G	 INSTRUCTIONS	420682	1	420682	1	420682	1
H	 1-1/4" TRUSS HEAD SCREW	-	-	460055	4	460055	4
I	 1/4" CAP NUT	-	-	460056	4	460056	4
J	#10/24 x 15 1/8" ROD	460211	4	460211	6	460211	6
K	 3/4" SHEET METAL SCREW	460193	4	460193	4	460193	4
L	 10-24 CAP NUT	460213	8	460213	12	460213	12



313 Regina Avenue
 Rahway, New Jersey 07065-4891
 Phone: (732) 574-1500
 Fax: (732) 574-1551
 www.swimnplay.com
 E-mail: info@swimnplay.com