

ASSEMBLY INSTRUCTIONS

12 ft.
15 ft.
18 ft.

END DECKS



READ THROUGH AND UNDERSTAND ALL THE STEPS TO THIS INSTALLATION BEFORE ATTEMPTING TO INSTALL EITHER YOUR POOL OR YOUR DECK. IF YOUR POOL IS ALREADY INSTALLED IT MAY BE NECESSARY TO LOWER THE WATER LEVEL IN YOUR POOL DOWN TO 2' TO ENABLE YOU TO PROPERLY INSTALL THIS DECK.


Swim 'n Play, Inc.
Makers of Fine Above Ground Pools®

313 REGINA AVENUE
RAHWAY, NEW JERSEY 07065-4891

Phone: (732) 574-1500

Fax: (732) 574-1551

www.swimnplay.com

E-mail: info@swimnplay.com



DANGER

DO NOT DIVE OR JUMP into your pool. Your pool is approximately 4' deep. It is not designed for diving or jumping. If you dive or jump into your pool you run the risk of permanent injury or death. Alert all visitors and family of this and point out all warning labels supplied.

ADULT SUPERVISION REQUIRED

GENERAL

Take time to follow the instructions and do things right the first time. Read all instructions prior to starting. Before you start, check to see that you have the correct number of parts. Use your parts list which is broken down by carton.

The manufacturer reserves the right to revise, change or modify construction of their product.

CONTRACT INSTALLATIONS

The manufacturer is in no way affiliated with any professional installer. Therefore the manufacturer can assume no responsibility, for errors in installation by the home owner or said professional installer. If you have your deck installed by others, please supervise to be sure they comply with the proper installation techniques shown.

Their past experience or short cuts may not cover the latest improvements in our decks. Do not allow any short cuts of any nature.

LOCAL CODES

Local building code may require obtaining a building permit and may have regulations on setbacks, barriers, devices and other conditions that must be followed. Any after market or home built deck should be built to the local building code requirements, including load capacity and fencing requirements.

Local electrical code may require obtaining a building permit and may have regulations on setbacks, devices and other conditions that must be followed.

All electrical outlet connections should be a minimum of 5 feet from the outside perimeter of the wall of the pool. From 5-10 feet there should be either a fixed connection (outlet box) or twist-lock connection with a GFCI. Connect power cords to a 3-wire grounding-type outlet only.

Severe electrical shock could result if you install your pump or filter on a deck. They could fall into the water, causing severe shock or electrocution. Do not install on a deck or other surface at, above or slightly below the top SEAT of the pool.

BARRIER REQUIREMENTS

If the distance from the top of the assembled pool is less than 48" vertically from the surrounding grade, a fence or barrier is needed to surround

the pool with a minimum height of 48".

A barrier is necessary to provide protection against potential drowning and near drowning and is not a substitute for constant supervision of children.

A barrier is a fence, wall, or a combination thereof which completely surrounds the swimming pool and obstructs access to the swimming pool. Barriers must comply with local and national building codes and the US Consumer Product Safety Commission.

These are minimum fencing and barrier requirements. Check your local building codes for other requirements they may request. Optional fencing kits are available, Please contact your local dealer.

If pool covers are used for safety barriers they should comply with ASTM F 1346 "Standard Performance Specification for Safety Covers and Labeling Requirements for All Covers for Swimming Pools, Spas and Hot Tubs."

GETTING STARTED

Unpack and identify all the parts to your deck using the enclosed packing list.

TO ASSEMBLE THE DECK YOU WILL NEED:

1. DRILL WITH A 7/64", 5/32", 3/16" AND 5/16" BIT
2. 7/16" WRENCH
3. #3 POINT PHILLIPS SCREW DRIVER
4. MEASURING TAPE AND MARKING PENCIL

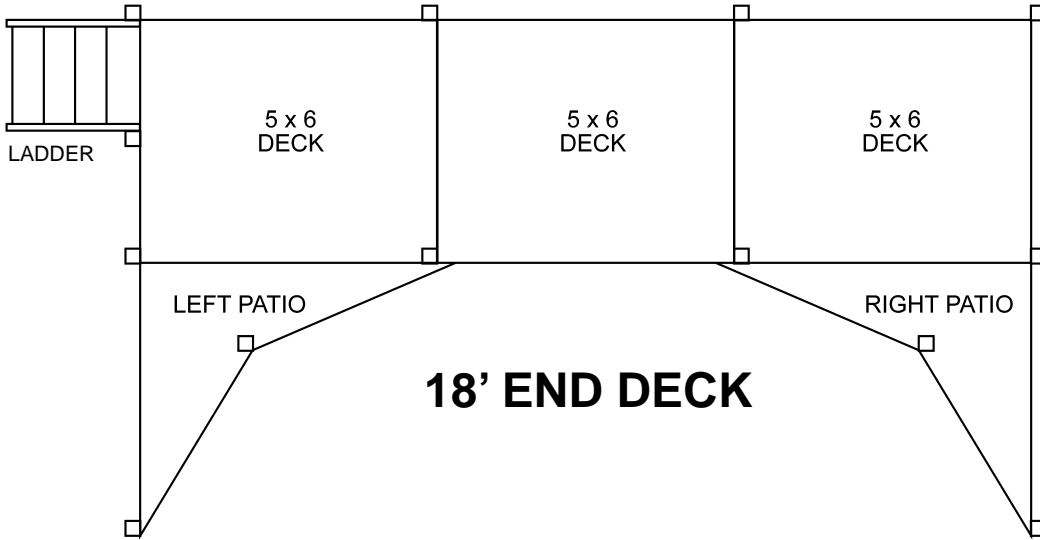
ATTENTION DECKS ARE MADE FOR 52 INCH DEEP POOLS

IF YOUR POOL IS 48" DEEP
YOU WILL HAVE TO DIG A TRENCH
OR CUT THE BOTTOM OF THE POSTS
(4 INCHES) IN ORDER TO LEVEL THE HEIGHT OF
THE DECK WITH THE HEIGHT OF YOUR POOL.

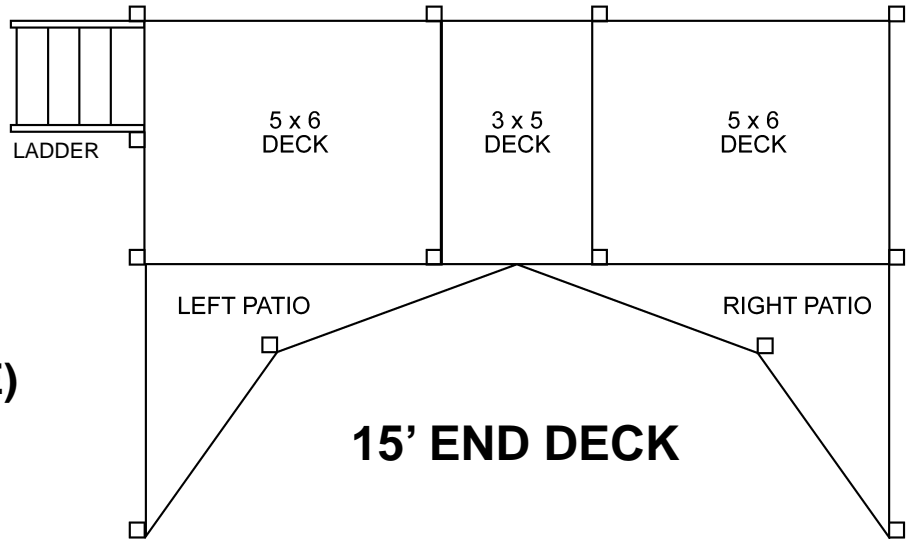
**THE BASE OF THE DECK MUST BE LEVEL
WITH THE TOP LEDGE OF YOUR POOL**

1

Clear out and level the ground in the location where your deck is to be installed. Use the Assembly Drawings below for reference while assembling your deck (Note: ladder can be installed on either side). During assembly please note that the ledges on the pool are to be removed where the deck meets the pool. The extension on the front of the deck will replace your pool legde. Please refer to Step 7.

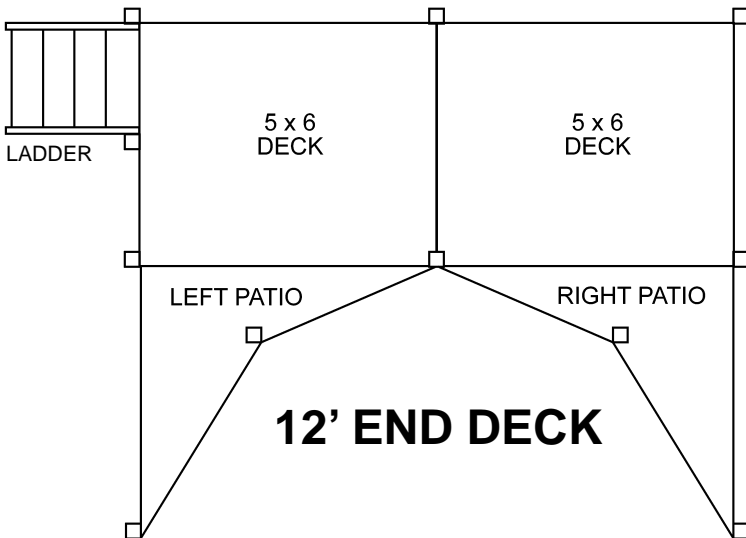


18' END DECK



15' END DECK

**ASSEMBLY
DRAWINGS
(VIEWED FROM ABOVE)**



12' END DECK

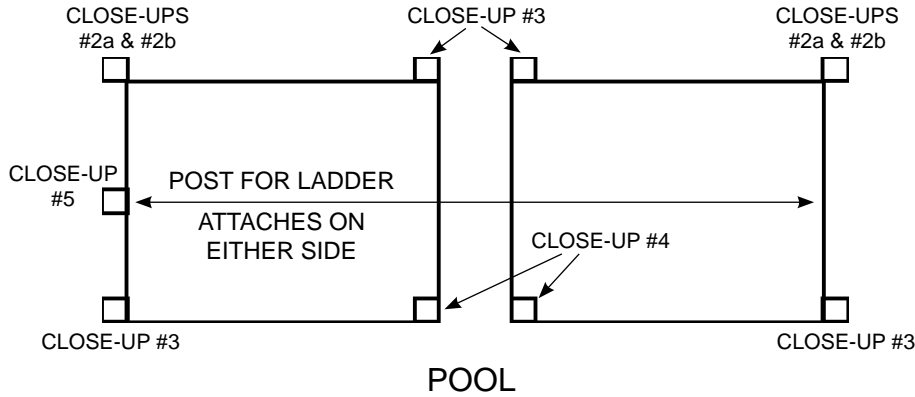
2

IMPORTANT: ONLY HAND TIGHTEN SCREWS AT THIS TIME

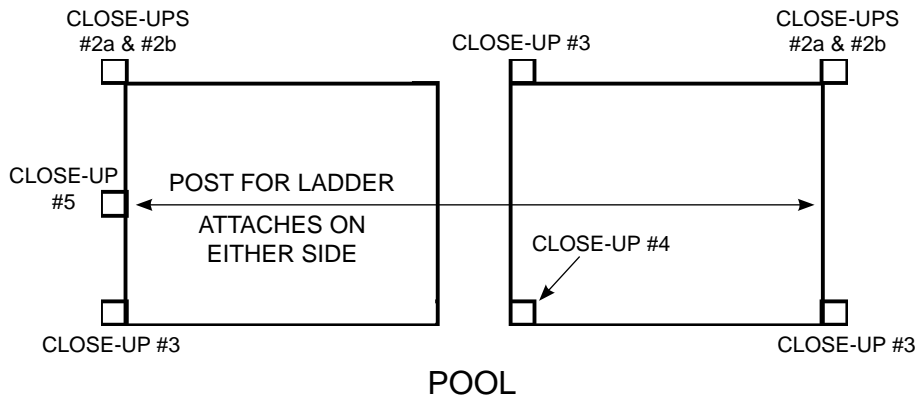
Elevate your two outside deck sections using either patio blocks or saw horses.

Attach the Posts referring to the Close-up Illustrations below and on the following page for the proper assembly procedure for each location.

ONLY HAND TIGHTEN THE SCREWS at this time.

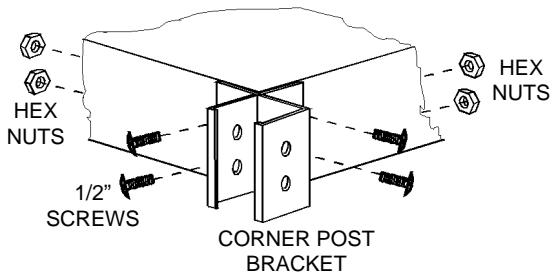


15' END DECK & 18' END DECK

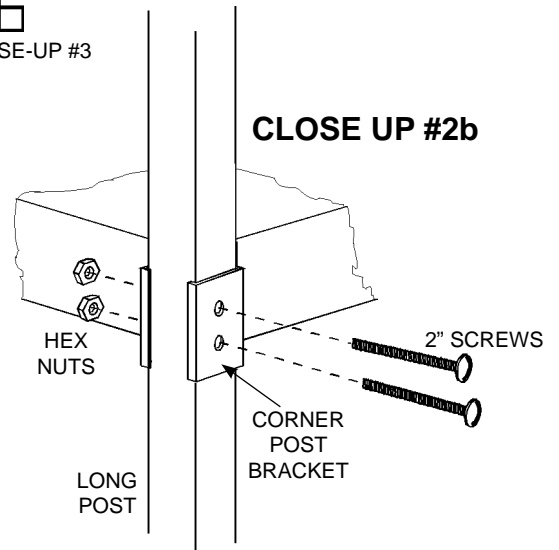


12' END DECK

CLOSE UP #2a



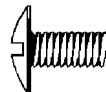
CLOSE UP #2b



1/4" x 20 x 2"
TRUSS HEAD SCREW



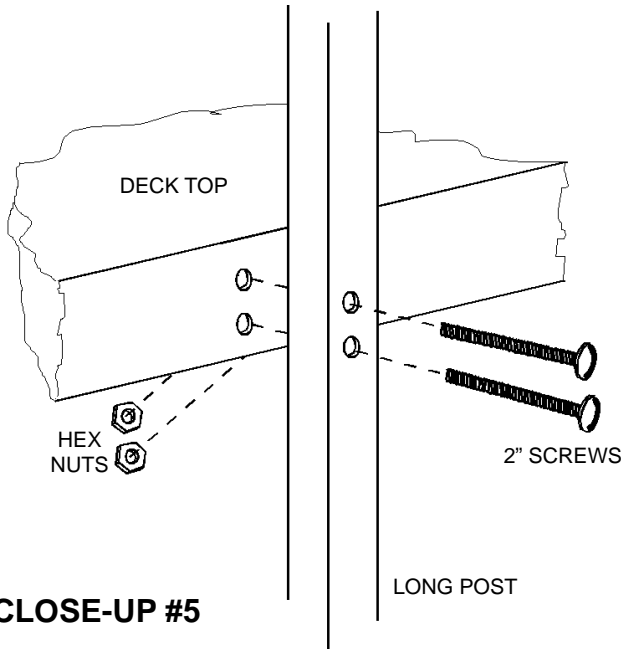
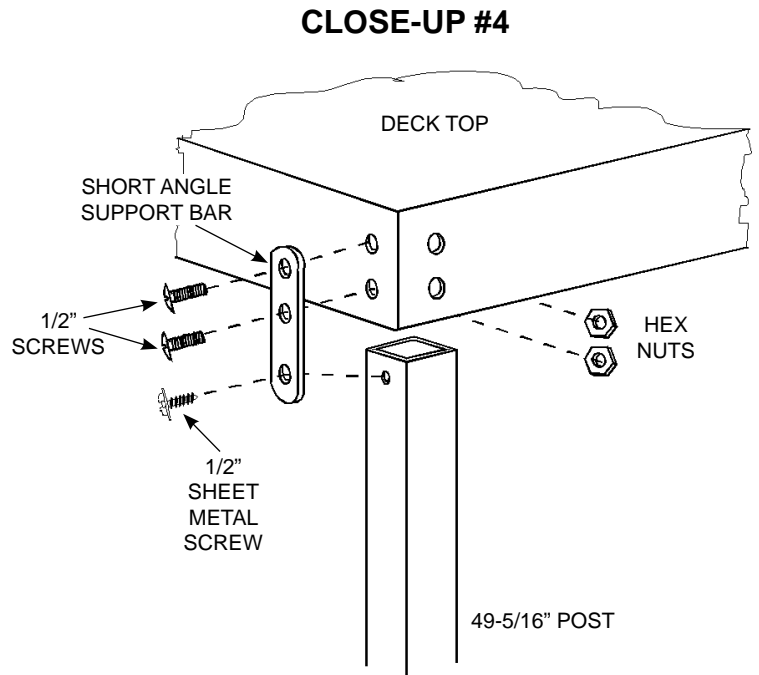
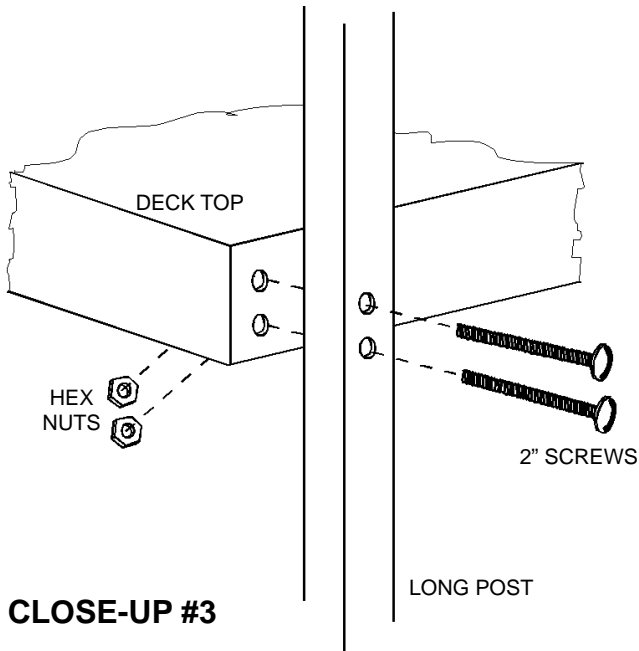
1/4" x 20
HEX NUT



1/4" x 20 x 1/2"
TRUSS HEAD SCREW



1/2" SHEET
METAL SCREW



Finally, attach another Long Square Post for the Ladder on either side of your deck in the location illustrated for your deck on the prior page.

Choose the location of your ladder depending on which side of the deck will provide the most convenient access to the pool.

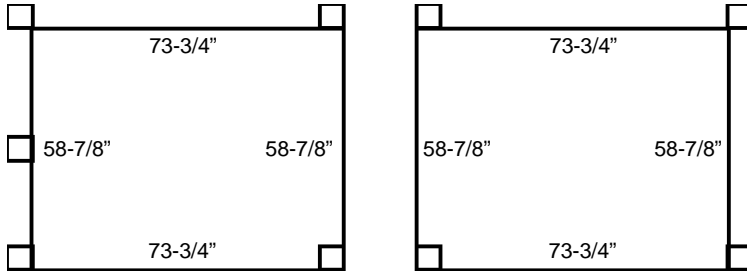
Fasten this Post to the deck referring to Close-Up #5 above for the proper assembly procedure.

3

IMPORTANT: ONLY HAND TIGHTEN SCREWS AT THIS TIME

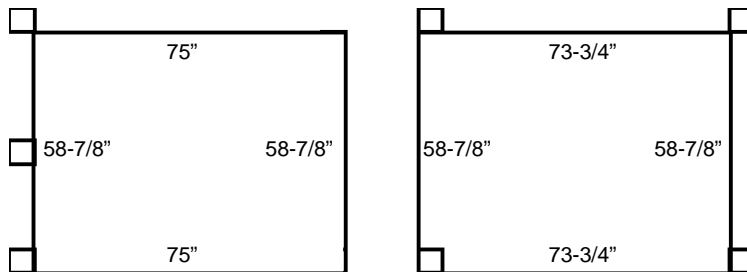
Position the Bottom Support Channels (long "L" shaped pieces) at the bottoms of the Posts according to the illustration below for your size deck.

Note the different sizes. (The illustrations are as viewing the deck from above with the Ladder to be installed on the left side.)



**15' END DECK
&
18' END DECK**

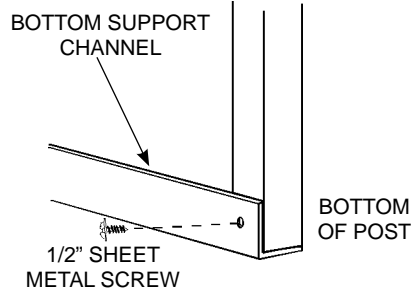
POOL



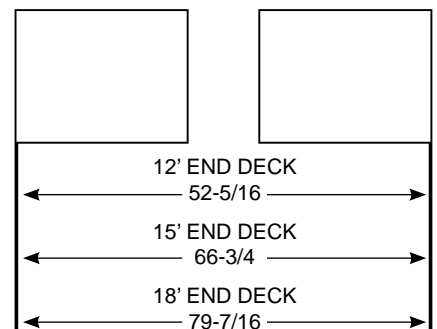
12' END DECK

POOL

Having positioned the Bottom Support Channels in their proper locations as illustrated above, attach them to the bottom of the Posts (including the Post for the Ladder) using 1/2" Sheet Metal Screws as shown at right.



NOTE: On the 12' End Deck, you must now attach 1 side of remaining 72½" Bottom Support Channel to the outside Posts nearest the pool. See right.



4a

IMPORTANT: ONLY HAND TIGHTEN SCREWS AT THIS TIME

Where the Posts and the Bottom Support Channels join, attach Angle Support Bars.

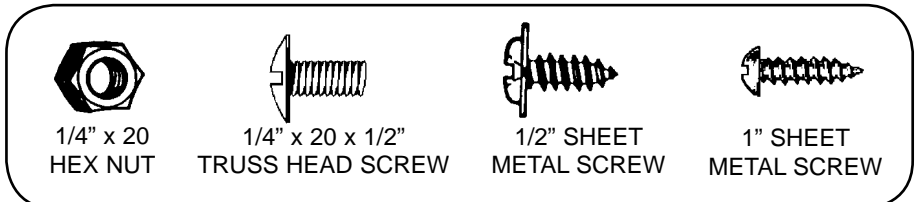
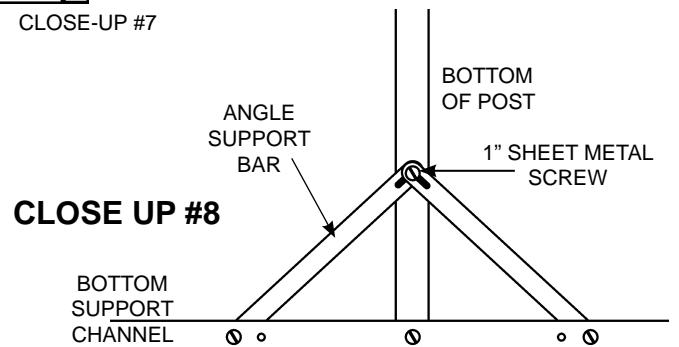
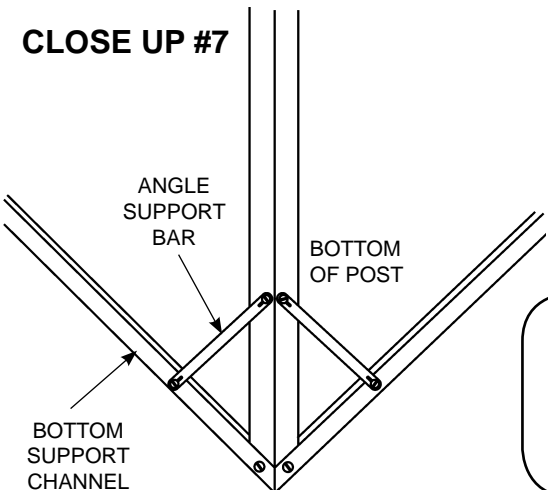
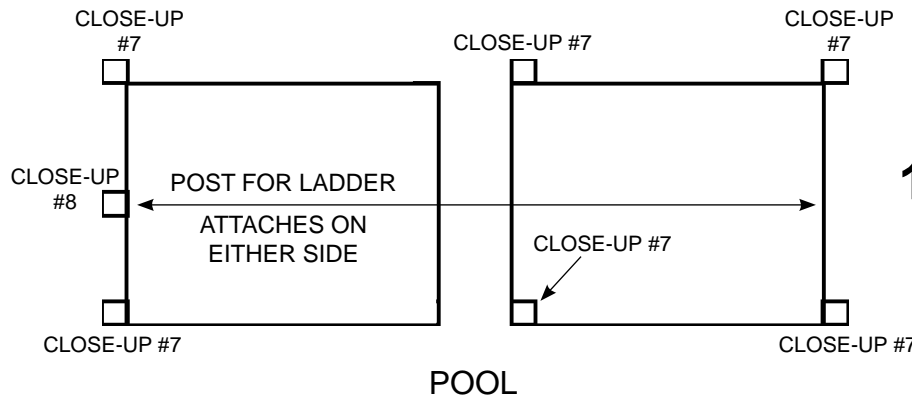
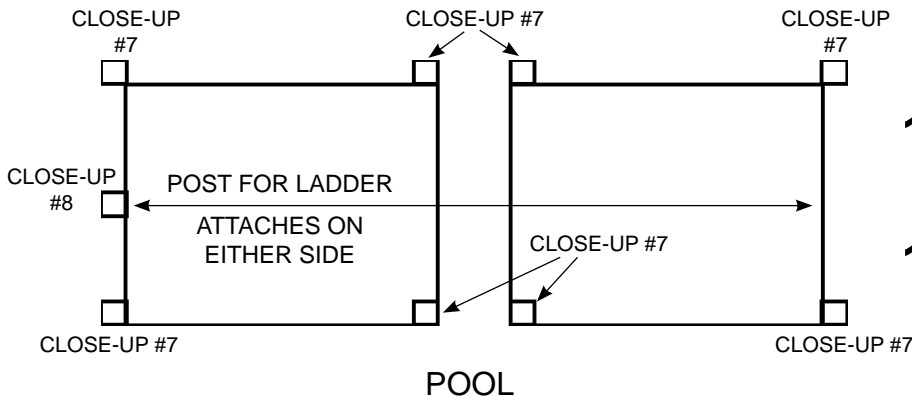
The illustrations below indicate Close-up illustrations show the proper assembly procedure for each location.

Where One Angle Support Bar attach to the Post use the 1/2" Sheet Metal Screws.

Where Two Angle Support Bars attach to the Post use the 1" Sheet Metal Screw.

Where the Angle Support Bars attach to the Bottom Support Channels use the 1/2" Truss Head Screws and Hex Nuts.

Note carefully in the Close-ups the position of the slots in the Angle Support Bars. Again, only hand tighten screws at this time.



4b

IMPORTANT: ONLY HAND TIGHTEN SCREWS AT THIS TIME

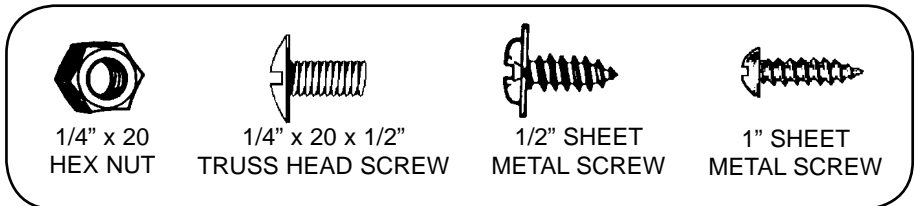
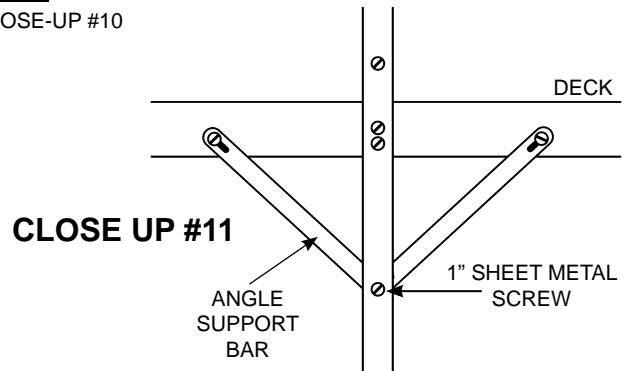
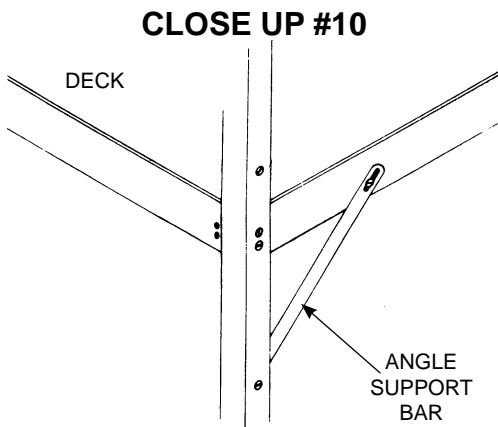
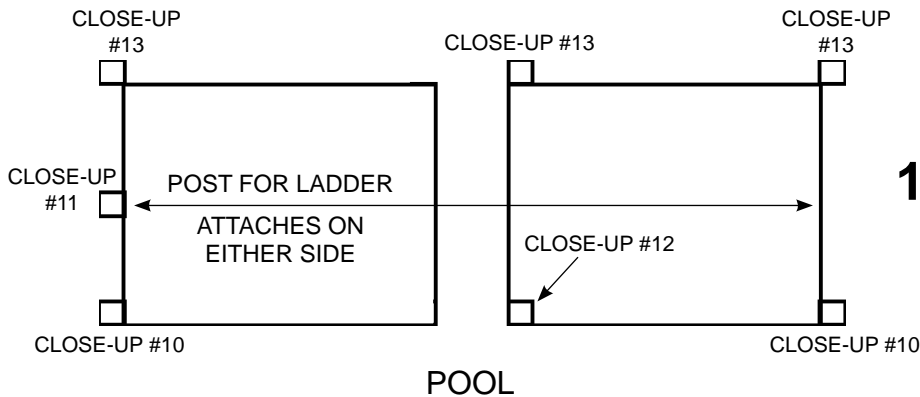
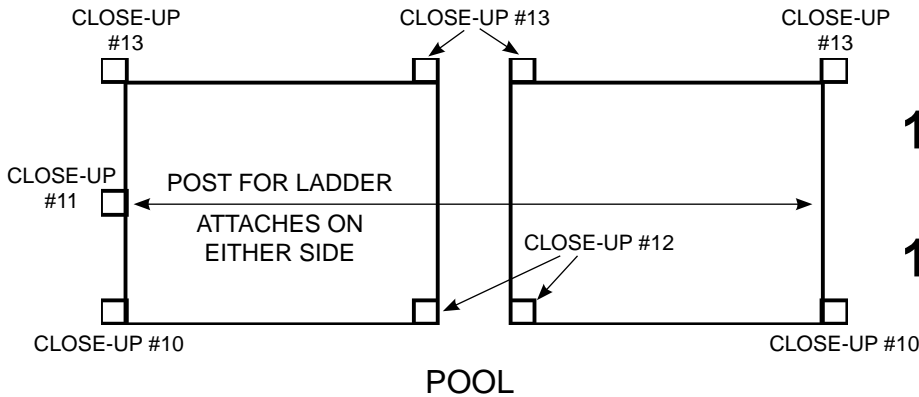
Where the Posts fasten to the deck, attach Angle Support Bars.

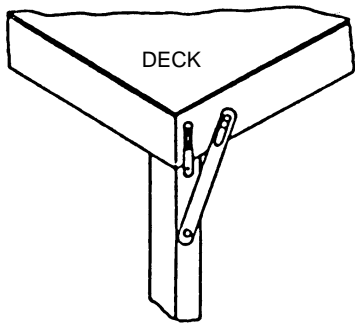
The illustrations below indicate which of the Close-up illustrations at the bottom of this page and at the top of the next page show the proper assembly procedure for each location.

Where One Angle Support Bar attach to the Post use the 1/2" Sheet Metal Screws.

Where Two Angle Support Bars attach to the Post use the 1" Sheet Metal Screw.

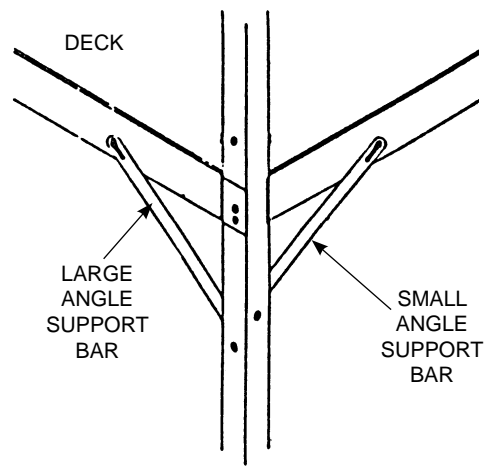
Where the Angle Support Bars attach to the deck use the 1/2" Truss Head Screws and Hex Nuts.





CLOSE UP #12

CLOSE UP #13



5

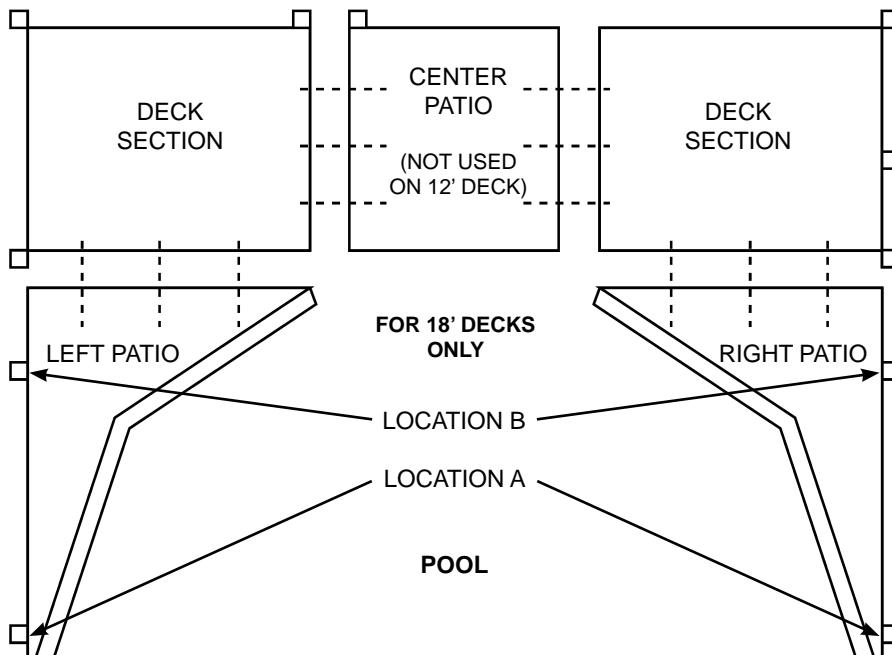
IMPORTANT: ONLY HAND TIGHTEN SCREWS AT THIS TIME

For the 15' and 18' Decks assemble the Center Patio to the already assembled deck sections using the 1" Round Head Screws and Hex Nuts.

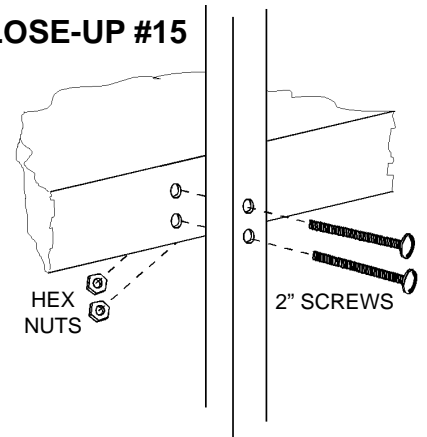
For the 12' Decks assemble the two outside deck sections together using the 1" Round Head Screws and Hex Nuts.

Firmly tighten these screws.

Next, attach the Left Patio and Right Patio sections in the same manner, firmly tightening the screws (let all other screws remain loose at this time).

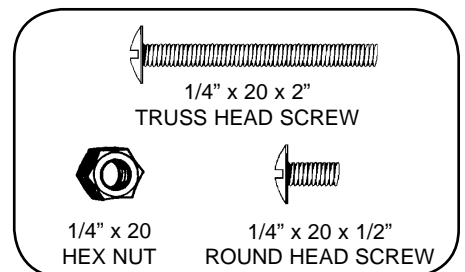


CLOSE-UP #15



For all size decks: At the two places labeled "Location A" in the illustration above, attach Long Square Posts in the manner illustrated at right in Close-up #15.

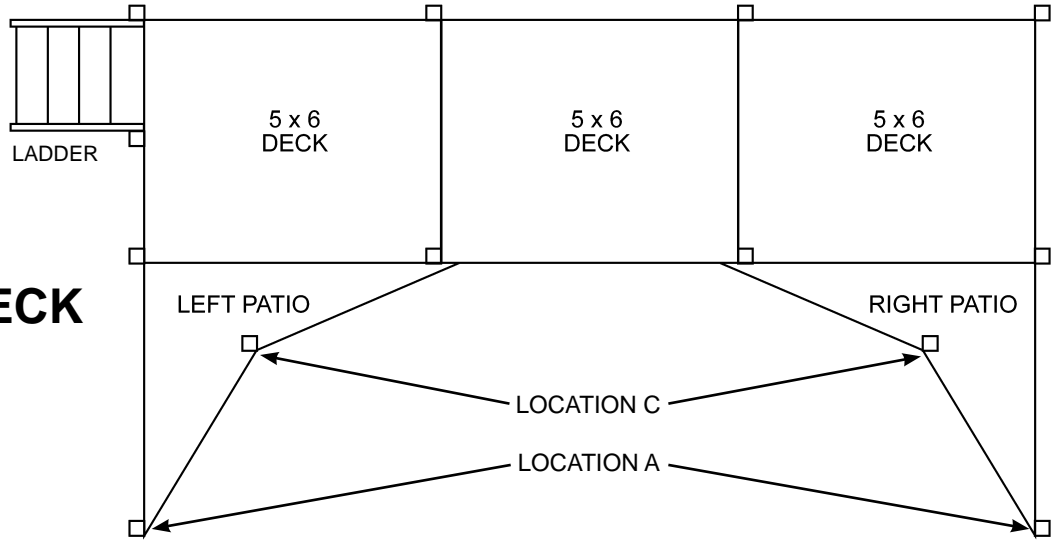
For the 18' Decks only: At the two places labeled "Location B" in the illustration above, also attach Long Square Posts in the manner illustrated at right in Close-up #15.



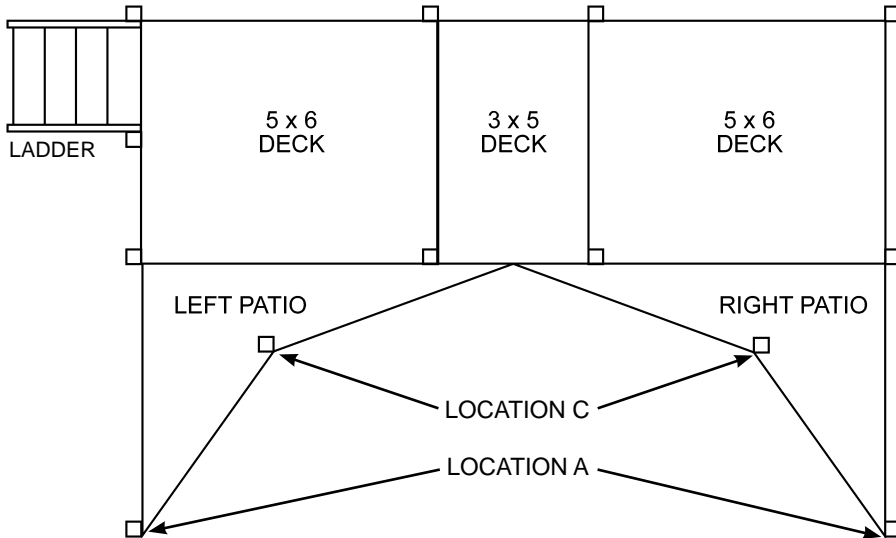
6

IMPORTANT: ONLY HAND TIGHTEN SCREWS AT THIS TIME

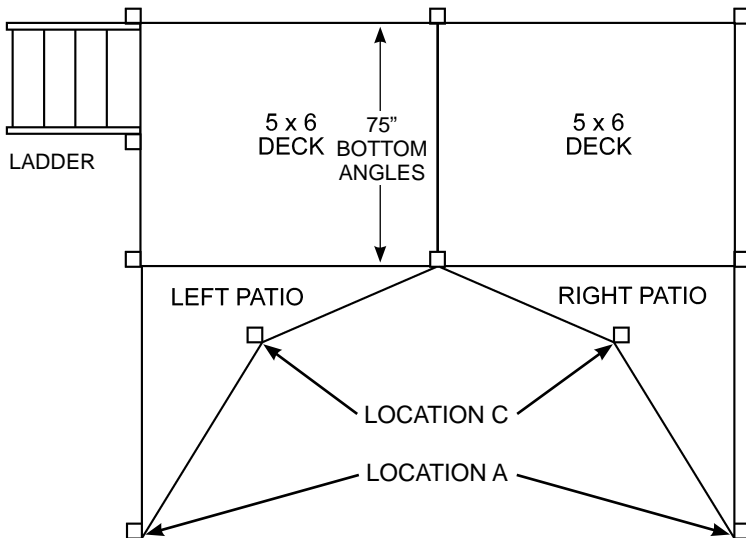
18' END DECK



15' END DECK



12' END DECK



BOTTOM SUPPORT CHANNEL

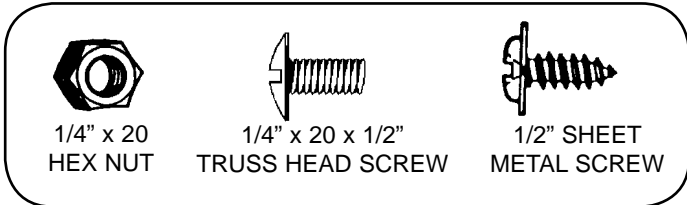
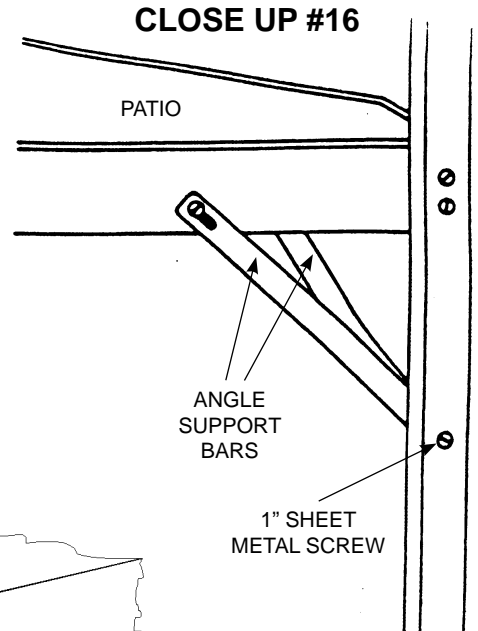
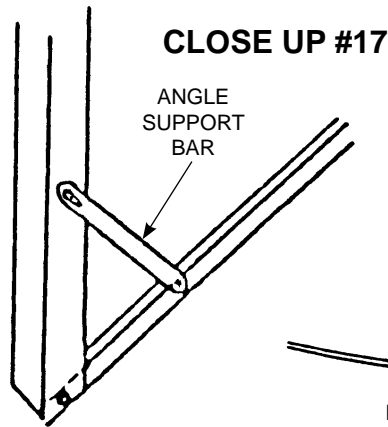
1/2" SHEET METAL SCREW

BOTTOM OF POST

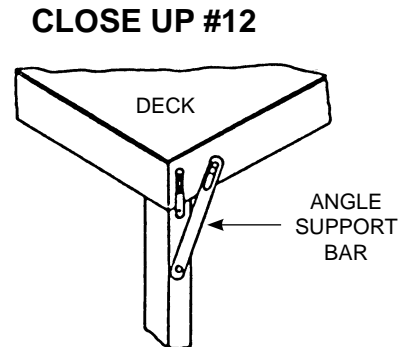
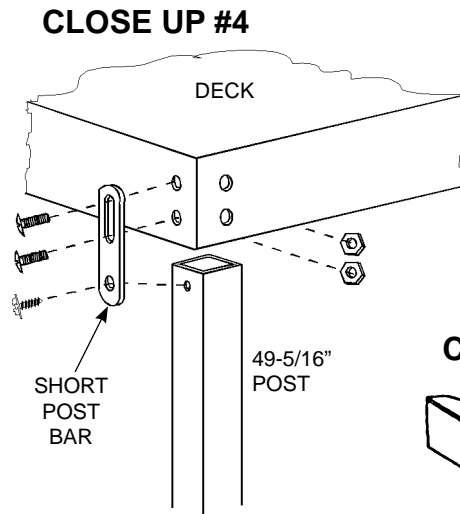


For the 12' End Deck attach the two 75" Bottom Angles to the bottom of the Posts as shown. Use 1/2" Sheet Metal Screws but only hand tighten at this time.

In the locations marked “Location A” (see the previous page), attach Angle Support Bars to the top of the Post and Deck as illustrated in Close-up #16 at right. Also attach Angle Support Bars to the bottom of the Post and the Bottom Support Channel as illustrated in Close-up #17 at right. Note: Where One Angle Support Bar attach to the Post use the ½” Sheet Metal Screws. Where Two Angle Support Bars attach to the Post use the 1” Sheet Metal Screw. Where they attach to either the deck or the Bottom Support Channels.



In the locations marked “Location C” (see the previous page), attach 49-5/16” Posts to the Deck as illustrated in Close-up #4 at right. Also attach Angle Support Bars to the top of the Posts and the deck as illustrated in Close-up #12 at right. Note: Where One Angle Support Bar attach to the Post use the ½” Sheet Metal Screws. Where Two Angle Support Bars attach to the Post use the 1” Sheet Metal Screw. Where they attach to the deck use ½” Truss Head Screws and Hex Nuts.

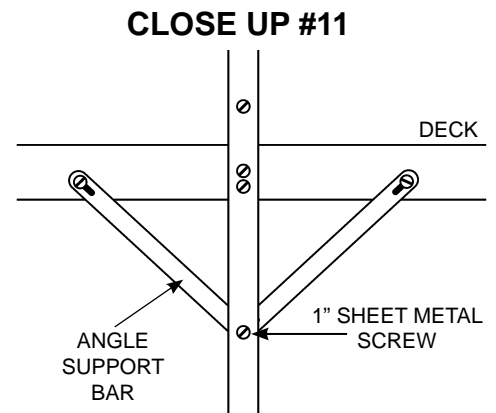
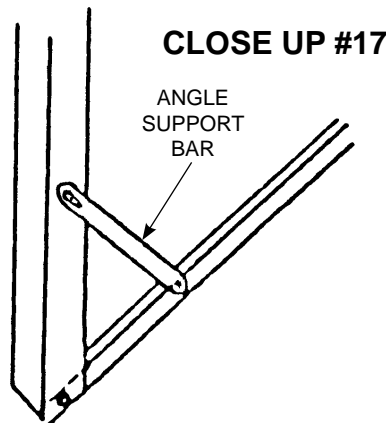


For the 18’ Decks Only: In the locations marked “Location B” (see the previous page), attach Angle Support Bars to the top of the Post and Deck as illustrated in Close-up #11 at right. Also attach Angle Support Bars to the bottom of the Post and the Bottom Support Channel as illustrated in Close-up #17 at right.

Note: Where One Angle Support Bar attach to the Post use the ½” Sheet Metal Screws.

Where Two Angle Support Bars attach to the Post use the 1” Sheet Metal Screw.

Where they attach to either the deck or the Bottom Support Channels use ½” Truss Head Screws and Hex Nuts.



7

Before continuing, make sure that all the Posts are perfectly straight and tighten all screws and nuts securely. You may now remove the saw horse or patio blocks and allow your deck to rest on the ground.

Attach your assembled deck to your pool as shown.

Remove the ledges where the deck will be assembled.

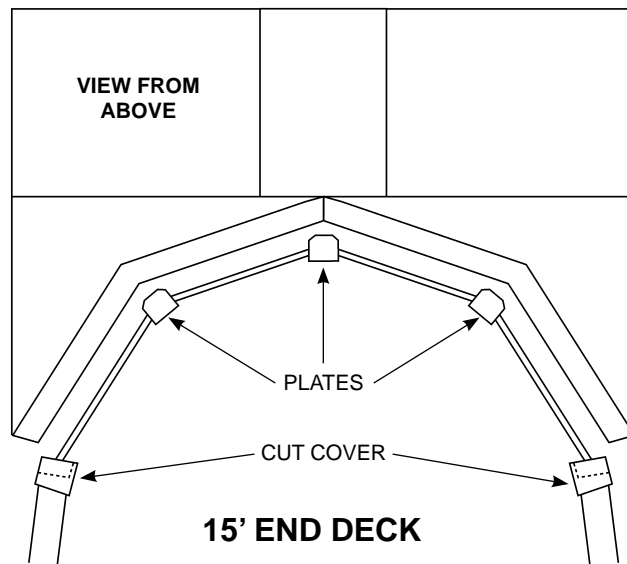
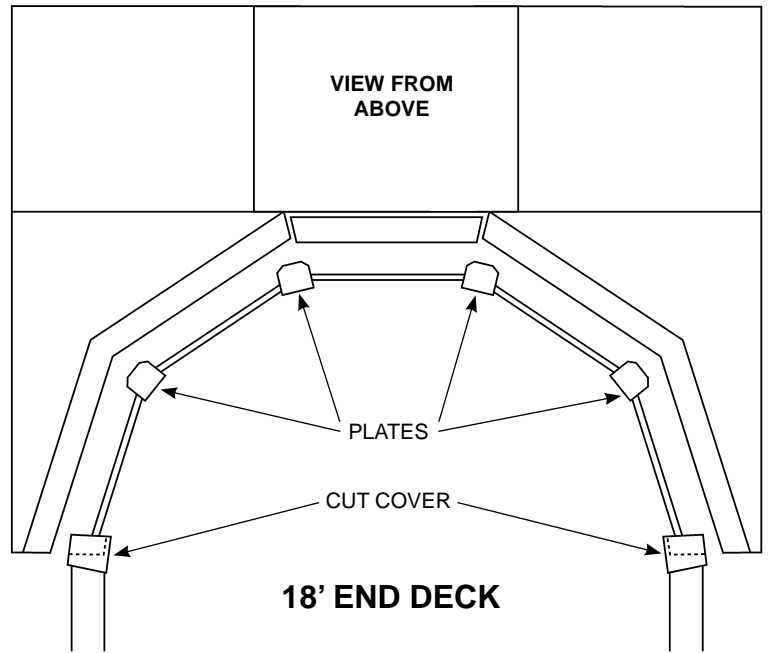
Move your deck into its final position.

On the 12' and 15' End Decks attach the deck ledge to the verticle top plates.

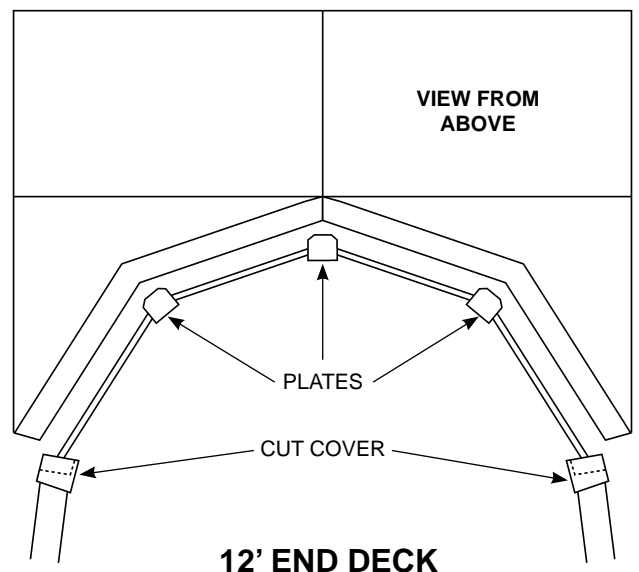
Drill holes on top of the deck aligning with the holes of the top plates and tighten screws supplied for the removed ledges.

If your pool is equipped with full contour style ledge covers, it is necessary to cut them with a hacksaw as illustrated below.

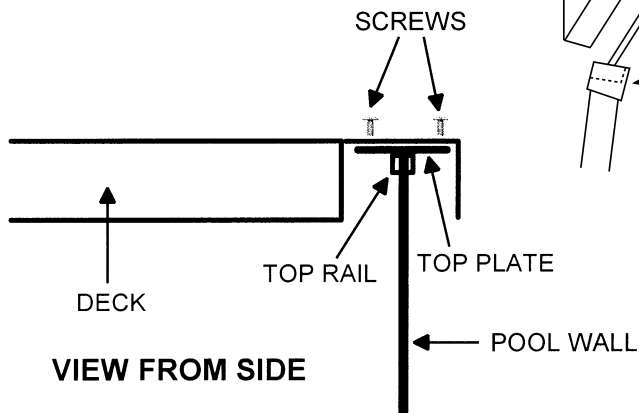
This will enable the deck to mount closer to the pool.



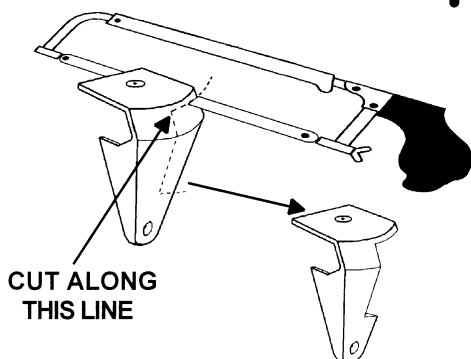
15' END DECK



12' END DECK



VIEW FROM SIDE



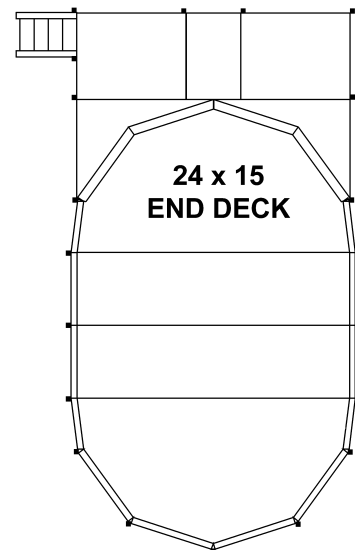
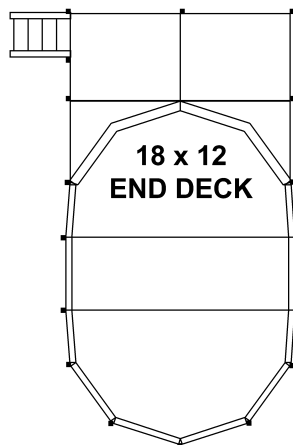
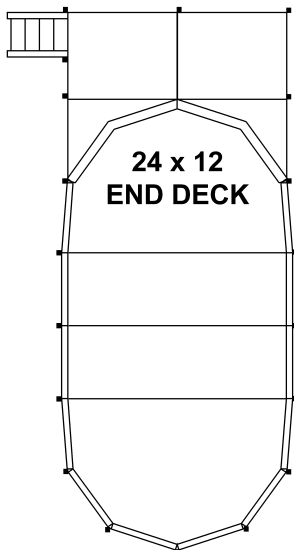
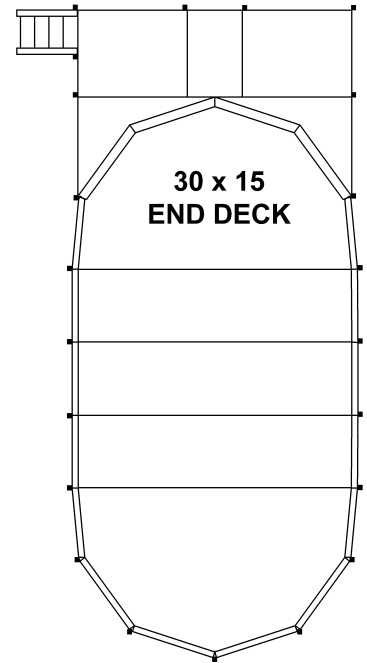
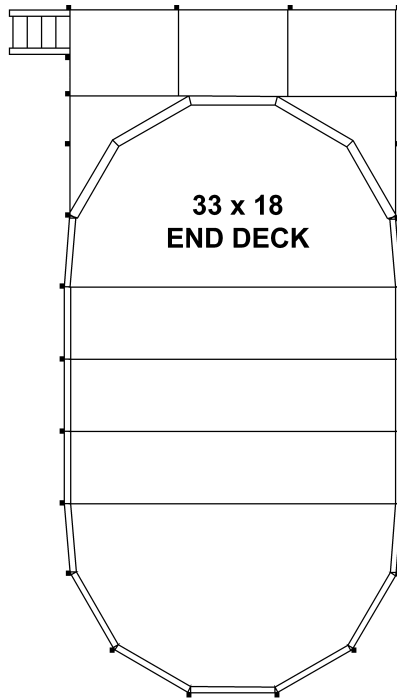
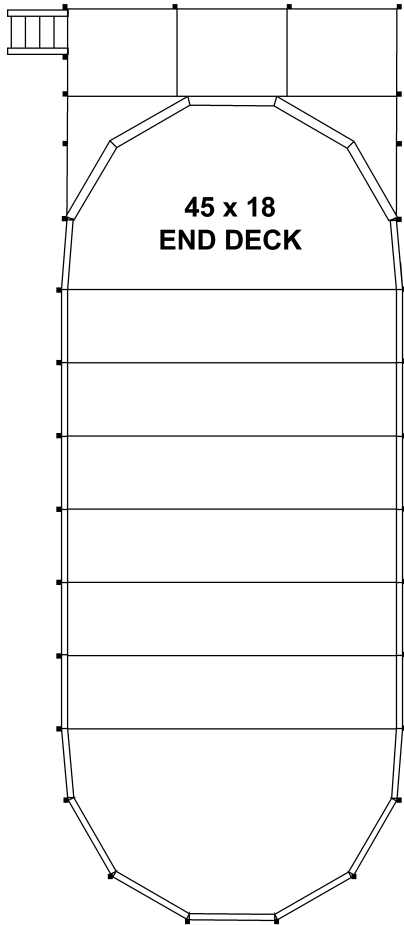
a) Assemble and mount the “Ground to Deck” Ladder to the deck using instructions packed inside it’s carton.

b) Assemble and mount In-Pool Ladder using instructions packed inside it’s carton.

8

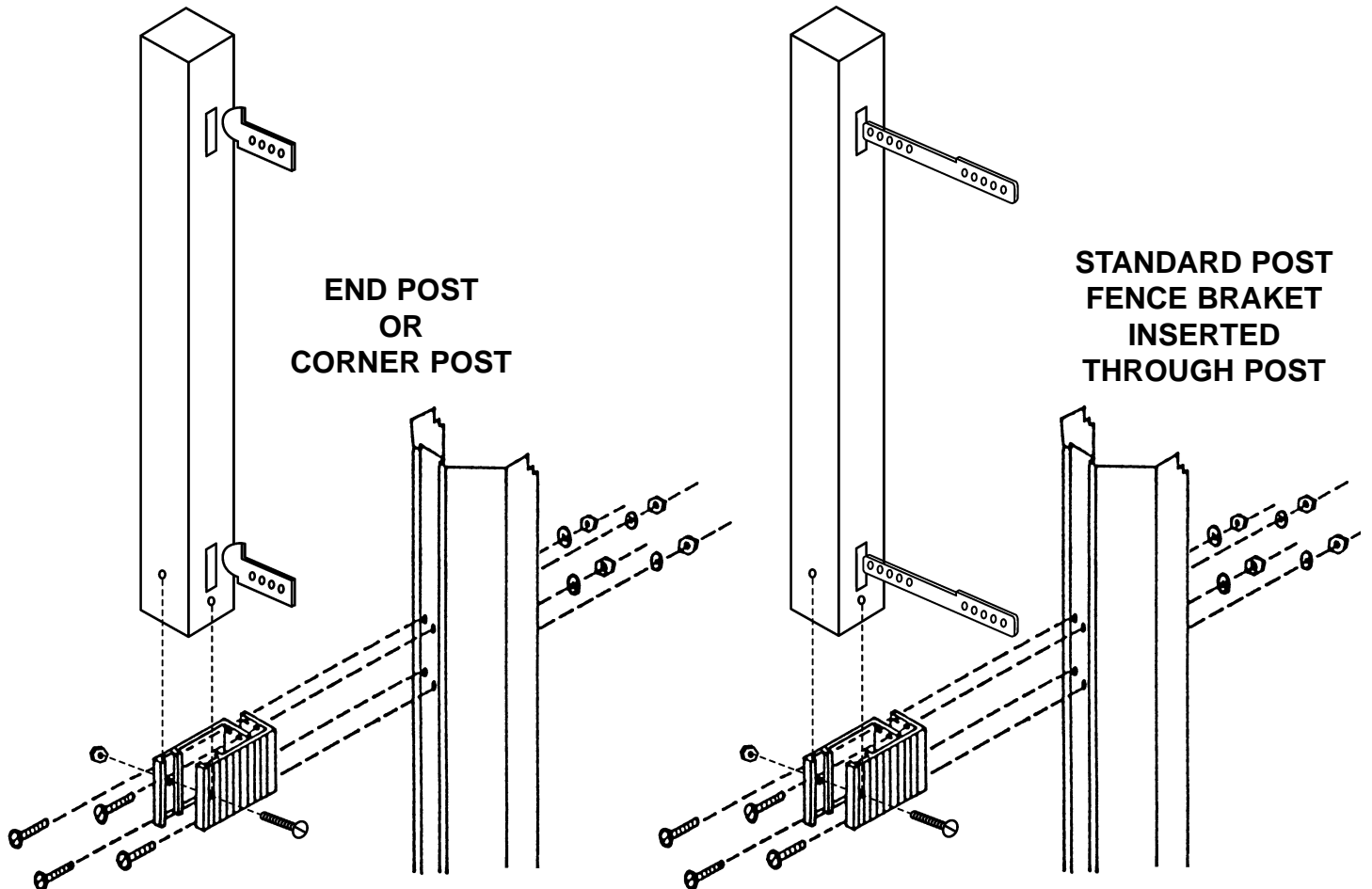
FENSURROUND INSTRUCTIONS

Use the illustrations below for reference during the assembly of the Fence Posts as described on the next page.

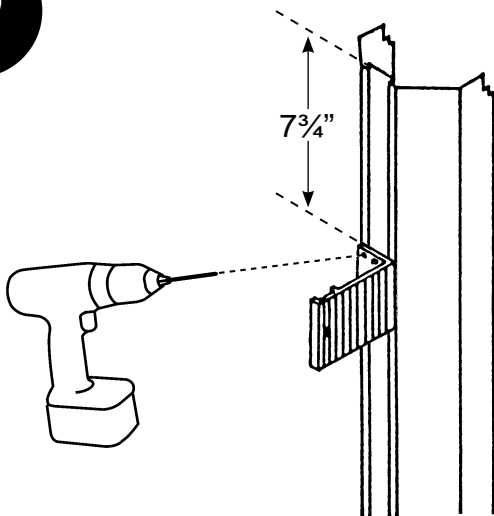


GENERAL ASSEMBLY ILLUSTRATION

Use the General Assembly Illustration below for reference as you assemble the Fensurround.



9



Before assembling your pool, drill the required holes in the Verticals.

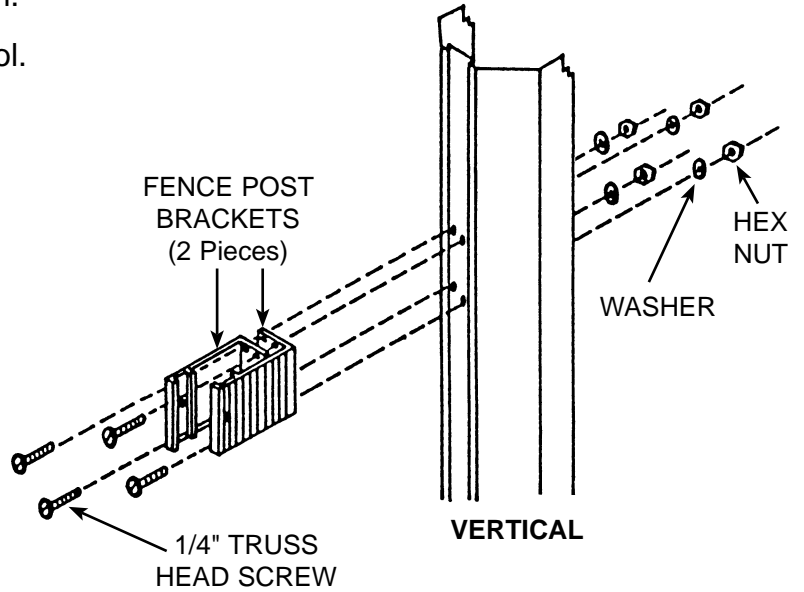
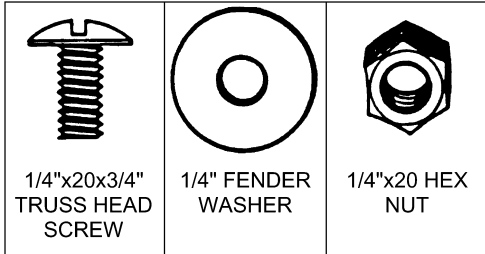
Simply place the bracket $7\frac{3}{4}$ " from the top of the Vertical. Then, using the Post Bracket as a template, drill through the Vertical using a $\frac{5}{16}$ " drill bit.

If your pool is filled with water it will be necessary for you to lower the water level to 2' deep in order to safely drill these holes and attach the Fence Post Brackets.

10

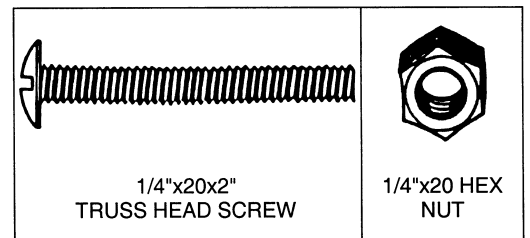
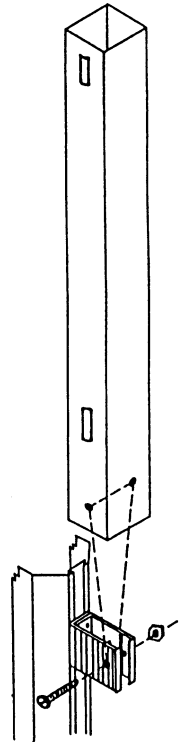
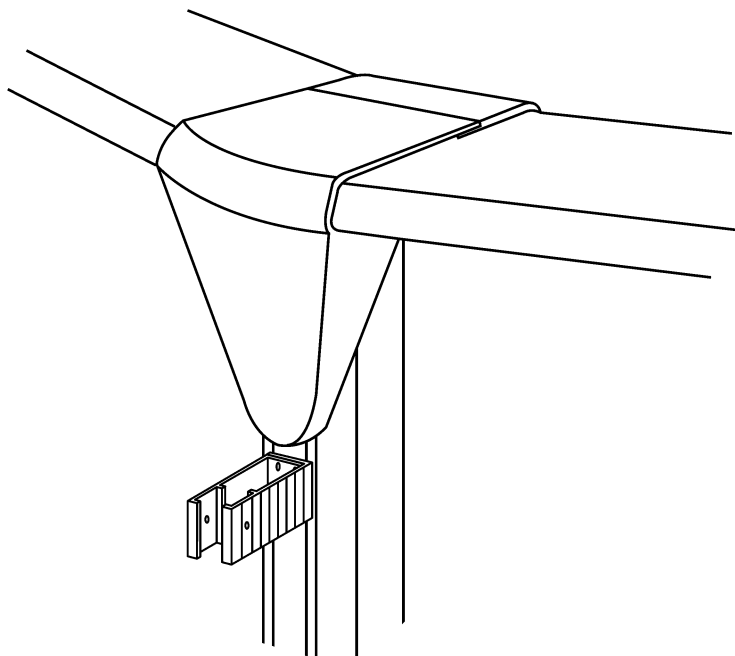
Take the Verticals and attach two Fence Post Brackets to each Vertical using the 1/4 x 20 x 3/4" Screws and Washers and Hex Nuts provided as shown.

You may now assemble your pool.



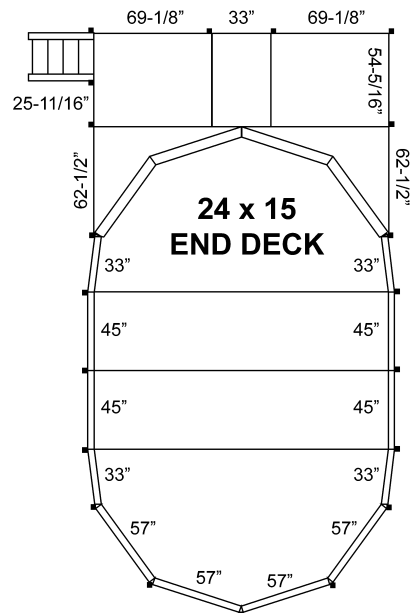
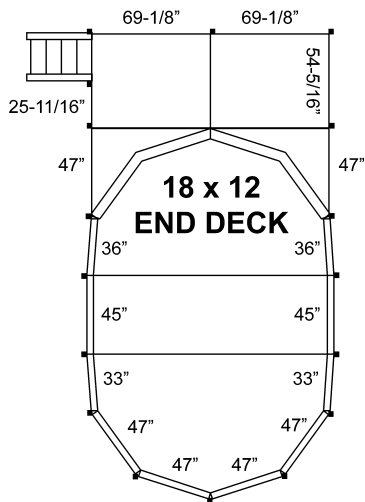
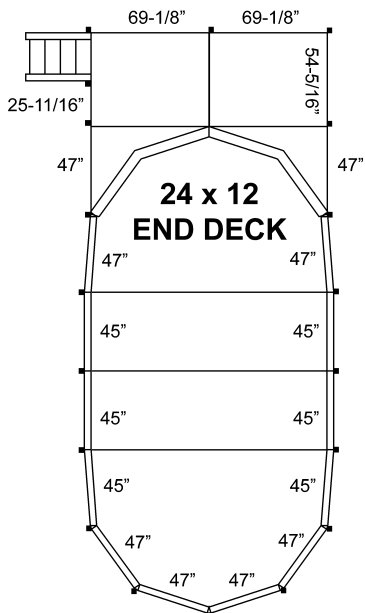
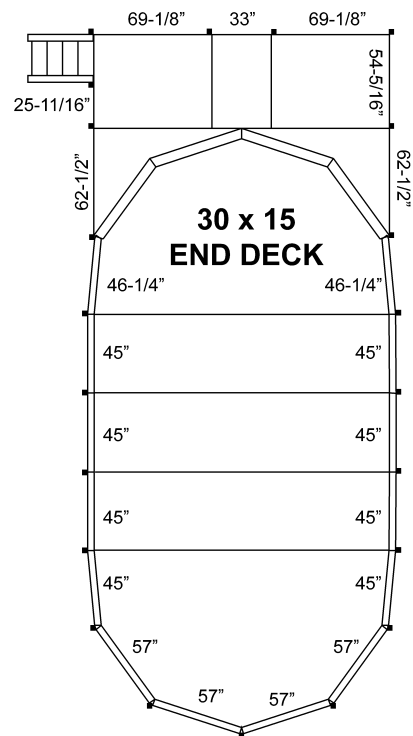
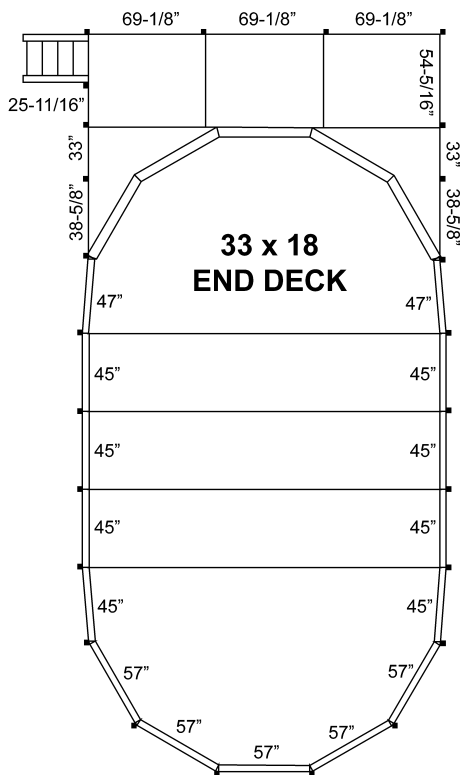
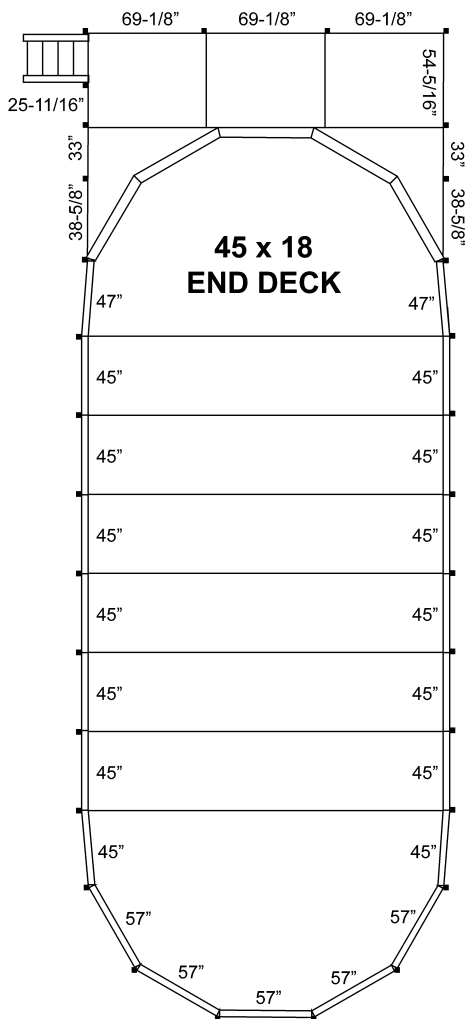
11

Assemble the Square Fence Post to the Post Bracket using the 1/4" x 20 x 2" Screws and Hex Nuts as shown at right. If your pool is equipped with Full-Contoured Covers like those below, you must first assemble the covers to the pool before attaching the Posts.



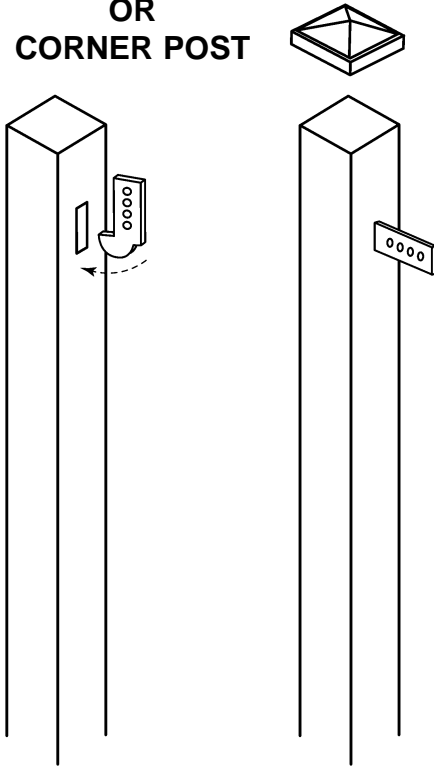
12

Use the illustrations below for reference during attaching the sections of Fence to the Fence Posts as described on the next page.



13

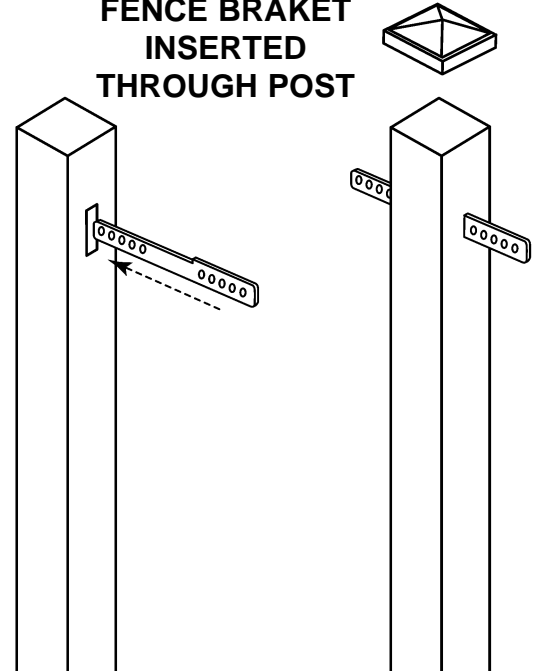
**END POST
OR
CORNER POST**



Attach the Universal Fence Brackets to the top of the End or Corner Posts simply by inserting the oval end into the slot in the Post and pressing down as shown.

Next, press one Post Cap to the top of each Post.

**STANDARD POST
FENCE BRACKET
INSERTED
THROUGH POST**

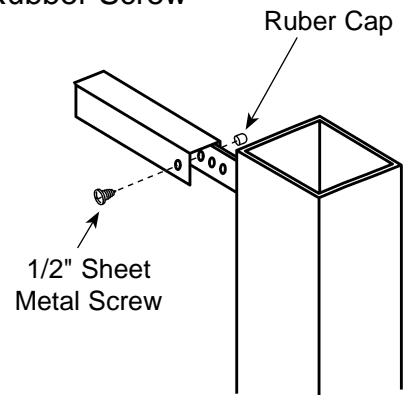
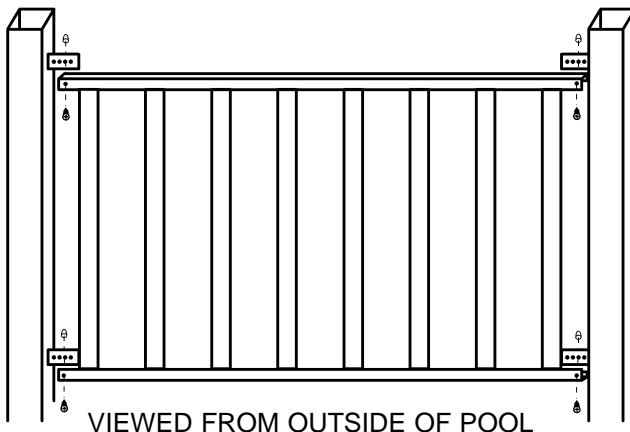


Attach the Straight Fence Brackets to the top of the Standard Posts simply by inserting the shorter end through the slots in the Post until it stops.

Next, press one Post Cap to the top of each Post.

14

Using the illustration for your size deck on the previous page, assemble the Fence Postions. Note carefully the location for the different sizes. Attach the Fence portions to the Fence Brackets using the 1/2" Sheet Metal Screws as illustrated below. Slip a protective Rubber Screw Cap on the exposed end of each screw.



Using the Latch, Latch Bar and Hinges as templates, drill the holes in the locations as illustrated at the bottom.

Drill a 5/32 hole for the Latch Bar and Self Closing Hinges.

Drill a 7/64 hole for the Latch.

Mount the Hinges and the Gate using 1/2" long Self-Tapping Screws so that the Gate swings on to the deck in the direction of the rear fence.

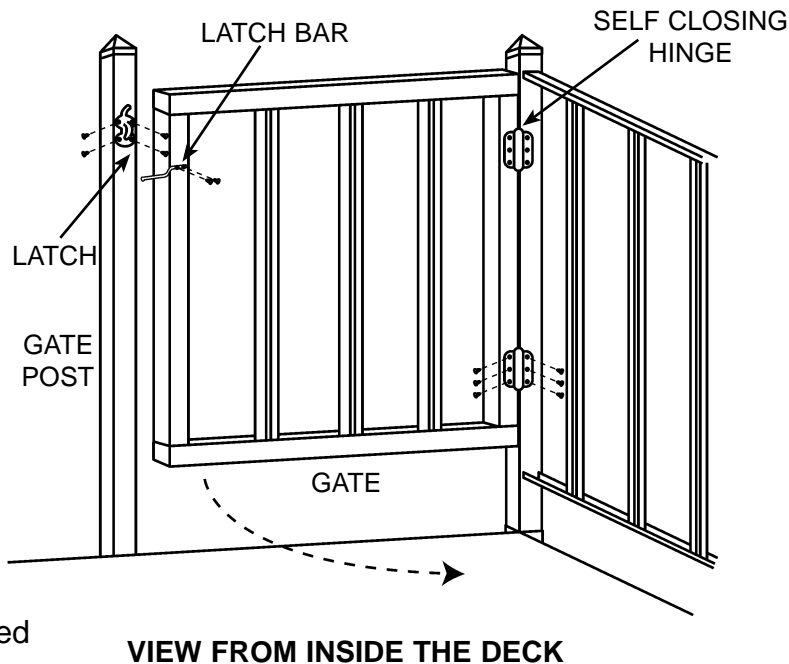
Mount the Latch Bar to the Gate using the #10x1/2" Self-Tapping Screw.

Mount the Latch to the Gate Post using #6x3/8 long Self-Tapping Screws

(Note: the Latch mounts approximately 21/8" from the top of the Gate).

Test the Gate to insure that it is perfectly aligned and closes and completely latches by itself.

It is very important to periodically test and maintain the Gates proper functioning.
WARNING: Make sure that your pool is not accessible when not in use!!!



15

WARNING LABELS

With your deck you are provided with 5 additional Warning Labels. One Large Label (#490090) is to be permanently affixed to the top of the pool's Top Ledge at the entry point of the pool. The two long, thin labels (#490091) are to be affixed on the inside of the pool's Top Ledge opposite to and facing the entry point of the pool. The two Square Labels (#490021) are to be affixed on the outside edge of the deck by the outside ladder. To affix these labels, simply clean the area where the label is to be applied and peel off the backing and press the label firmly into place. Should you need any additional Labels for any reason, simply order them by part number from your local dealer or direct from the manufacturer.



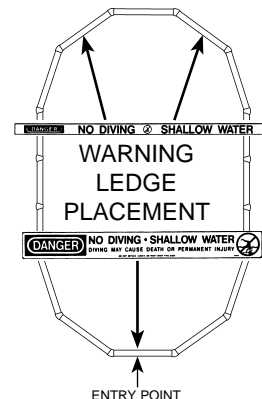
#490091



#490021



#490090



Consumer Awareness Booklets:

The following books are available through the APSP:





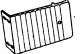




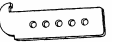
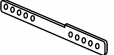






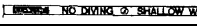
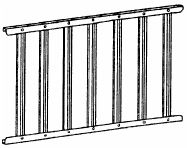
“The Sensible Way To Enjoy Your Pool”...published by the NSPI, October 1983 (revised September 1986),

“Children Aren’t Waterproof”...published by the NSPI,

“Pool & Spa Emergency Procedures For Infants And Children”...published by the NSPI.








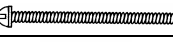
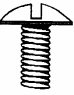
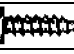


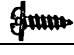
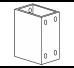
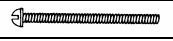

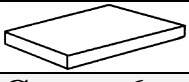

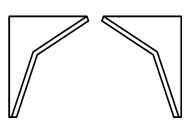
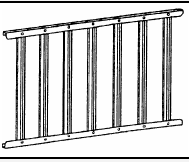
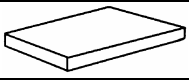

Contact: APSP • 2111 Eisenhower Avenue, Alexandria, Virginia 22314 • (703) 838-0083



ITEM	DESCRIPTION	PART #	18 x 12	24 x 12	24 x 15	30 x 15	33 x 18	45 x 18
Carton 1 (GROUND TO DECK LADDER)								
PACKING LIST FOR GROUND TO DECK LADDER ENCLOSED IN LADDER CARTON ASSEMBLE AS PER INSTRUCTIONS								
Carton 2								
PACKING LIST FOR IN-POOL LADDER ENCLOSED IN LADDER CARTON ASSEMBLE AS PER INSTRUCTIONS								
Carton 3								
	49 5/16" White Post	191039	3	3	4	4	4	4
	88 1/2" White Post	191041	8	8	9	9	11	11
	47 1/2" White Post	191090	9	11	11	13	14	20
	73 3/4" Bottom Angle Support	190425	2	2	4	4	4	4
	58 7/8" Bottom Angle Support	190426	4	4	4	4	4	4
	75" Bottom Angle Support	190591	2	2	-	-	-	-
	52 5/16" Bottom Angle Support	191205	2	2	-	-	-	-
	66 3/4" Bottom Angle Support	191206	-	-	2	2	-	-
	79 9/16" Bottom Angle Support	191207	-	-	-	-	2	2
	58 5/16" Carpeted Ledge	500705	-	-	-	-	1	1
Carton 4								
	Fence Post Bracket	190989	18	22	22	26	28	40
	Corner Post Bracket	190990	2	2	2	2	2	2
	Short Post Bar	190991	3	3	4	4	4	4
	Short Angle Support	190992	4	4	4	4	4	4
	Long Angle Support	190993	38	38	42	42	50	50
	Fence Bracket	191001	8	8	6	6	6	6
	Straight Fence Bracket	191089	28	32	34	38	44	56
	Hand Rail	200121	2	2	2	2	2	2
	White Hand Rail Cap	360079	4	4	4	4	4	4
	White Post Cap	360161	17	19	20	22	25	31
	30 Year Warranty	420446	1	1	1	1	1	1
	Instructions	420867	1	1	1	1	1	1
	Packing List	420868	1	1	1	1	1	1
	4" X 4 3/8" Warning Label	490021	4	4	4	4	4	4
	2 1/2" X 23" Warning Label	490090	1	1	1	1	1	1
	1" X 26" Warning Label	490091	2	2	2	2	2	2
	25 11/16" Fence	500523	1	1	1	1	1	1
	33" Fence	500525	-	-	3	1	2	2
	36" Fence	500526	2	-	-	-	-	-
	38 5/8" Fence	500527	-	-	-	-	2	2
	46 1/4" Fence	500529	-	-	-	2	-	-
	47" Fence	500530	-	-	-	-	2	2
	54 5/16" Fence	500532	1	1	1	1	1	1
	62 1/2" Fence	500536	-	-	2	2	-	-
69 1/8" Fence	500537	2	2	2	2	3	3	

WARNING! POOLS ARE NOT DESIGNED FOR DIVING OR JUMPING!

Diving or jumping into an above ground pool may result in DEATH or serious PERMANENT injury!

ITEM	DESCRIPTION	PART #	18 x 12	24 x 12	24 x 15	30 x 15	33 x 18	45 x 18
	26 7/8" Gate With Gate Hinge Attached	500542	1	1	1	1	1	1
		460186	2	2	2	2	2	2
Hardware								
	#10 Rubber Closure	460155	32	32	36	36	44	44
	#10 X 1/2" S.S. Sheet Metal Screw	460171	6	6	6	6	6	6
	1/4" X 20 Hex Nut	460172	85	85	96	96	112	112
	1/4" X 20 S.S. Acorn Cap Nut	460179	4	4	4	4	4	4
	1/4" X 20 X 2" Truss Head Bolt	460201	16	16	18	18	22	22
	1/4" X 20 X 3" Truss Head Bolt	460202	4	4	4	4	4	4
	1/4" X 20 X 1/2" Truss Head Bolt	460203	53	53	58	58	66	66
	1/4" X 20 X 1" Truss Head Bolt	460205	12	12	16	16	20	20
	#12 X 1" S.S. Sheet Metal Screw	460207	13	13	16	16	20	20
	Washer	460204	24	24	32	32	40	40
	3/8" Sheet Metal Screw	460214	4	4	4	4	4	4
	# 12 X 1/2" S.S. Metal Screw	460218	81	81	91	91	109	109
Adapter Bracket Kit (Needed for Pools with a 9" or 10" Ledge)								
	2"x3" Adapter Bracket	191212	4	6	6	8	8	14
	1/4-20x2-3/4" Truss Head Bolt	460173	16	24	24	32	32	56
	Adapter Instruction	420876	1	1	1	1	1	1
Carton 5								
	5' X 6' Deck Panel	500082	1	1	1	1	1	1
Carton 6								
	5' X 6' Deck Panel	500082	1	1	1	1	1	1
Carton 7								
	12' End Deck Wing-Left	500696	1	1	-	-	-	-
	12' End Deck Wing-Right	500697	1	1	-	-	-	-
	15' End Deck Wing-Left	500698	-	-	1	1	-	-
	15' End Deck Wing-Right	500699	-	-	1	1	-	-
	18' End Deck Wing-Left	500700	-	-	-	-	1	1
	18' End Deck Wing-Right	500701	-	-	-	-	1	1
Carton 8								
	33" Fence	500525	2	-	2	-	-	-
	47" Fence	500530	6	8	-	-	-	-
	45" Fence	500684	2	6	4	8	8	14
	57" Fence	500533	-	-	4	4	5	5
Carton 9								
	3' X 5' Deck Panel	500142	-	-	1	1	-	-
	5' X 6' Deck Panel	500082	-	-	-	-	1	1
Warning!								
Pools are not designed for Diving or Jumping!								
Diving or Jumping into an Above Ground Pool may result in Death or Serious Permanent Injury!								
 <p>DANGER NO DIVING • SHALLOW WATER DIVING MAY CAUSE DEATH OR PERMANENT INJURY</p> <p><small>DO NOT DEFACE, COVER, OR PAINT OVER THIS SIGN</small></p>								

WARNING! POOLS ARE NOT DESIGNED FOR DIVING OR JUMPING!
Diving or jumping into an above ground pool may result in DEATH or serious PERMANENT injury!