

ASSEMBLY INSTRUCTIONS

FENSURROUND



READ THROUGH AND UNDERSTAND ALL THE STEPS TO THIS INSTALLATION BEFORE ATTEMPTING TO INSTALL EITHER YOUR POOL, YOUR DECK OR THE FENCE AROUND.


Swim'n Play, Inc.
Makers of Fine Above Ground Pools®

313 REGINA AVENUE
RAHWAY, NEW JERSEY 07065-4891

Phone: (732) 574-1500

Fax: (732) 574-1551

www.swimnplay.com

E-mail: info@swimnplay.com



DANGER

DO NOT DIVE OR JUMP into your pool. Your pool is approximately 4' deep. It is not designed for diving or jumping. If you dive or jump into your pool you run the risk of permanent injury or death. Alert all visitors and family of this and point out all warning labels supplied.

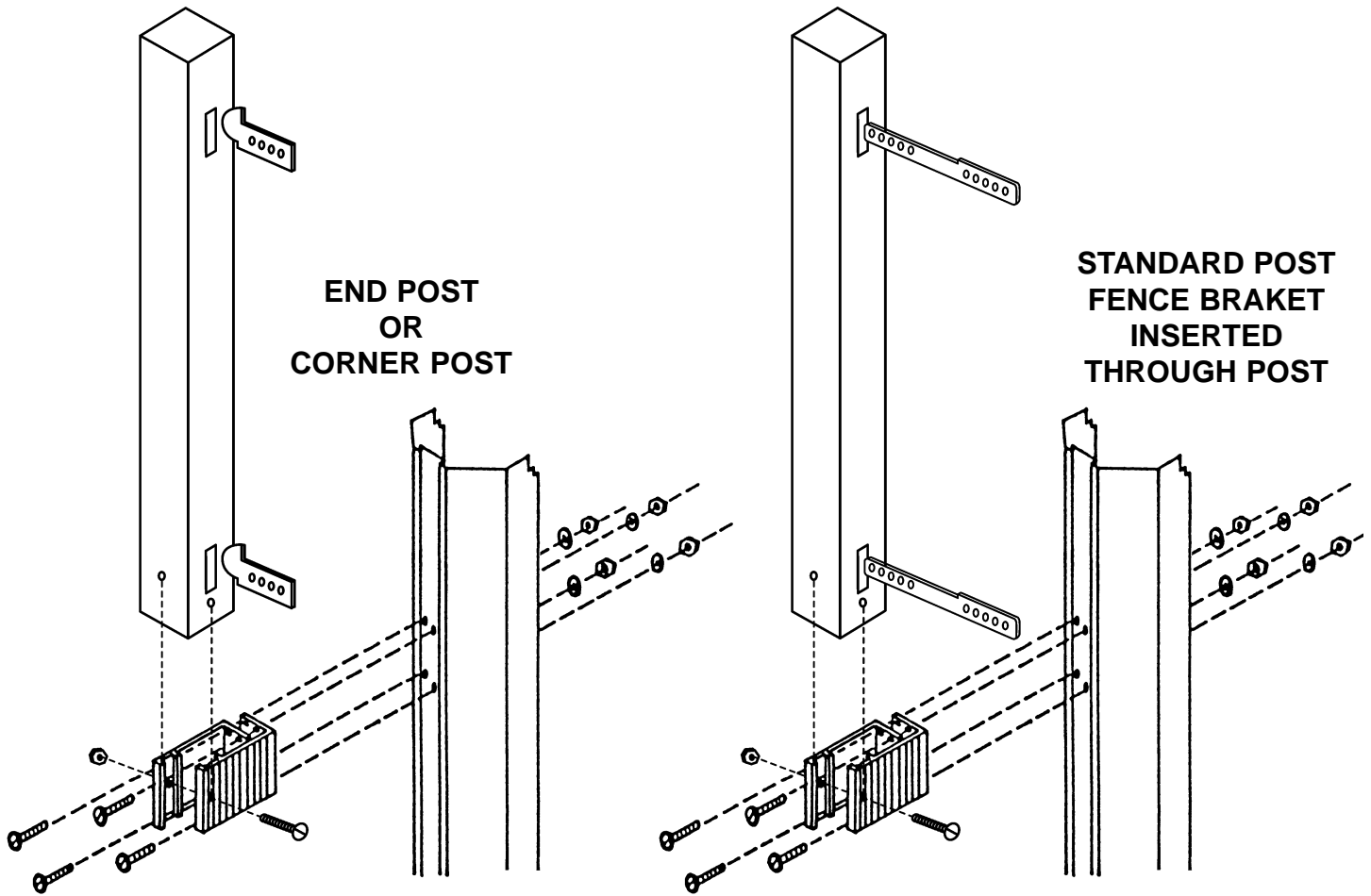
ADULT SUPERVISION REQUIRED

PLEASE READ THROUGH AND UNDERSTAND ALL THE STEPS BEFORE ASSEMBLING YOUR SWIM'N PLAY INC. FENSURROUND. CHECK YOUR PARTS AGAINST YOUR PACKING LIST IN ORDER TO ASSURE HAVE RECEIVED THE CORRECT QUANTITY OF PARTS AND TO FAMILIARIZE YOURSELF WITH THESE PARTS.

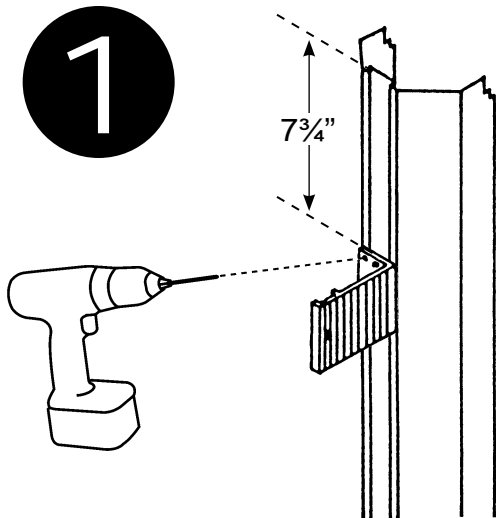
IF YOU HAVE ALREADY FILLED YOUR POOL WITH WATER, IT WILL BE NECESSARY TO LOWER THE WATER LEVEL TO 2 FEET IN ORDER TO PROPERLY ASSEMBLE YOUR SWIM'N PLAY INC. FENSURROUND.

GENERAL ASSEMBLY ILLUSTRATION

Use the General Assembly Illustration below for reference as you assemble the Fensurround.



1



Before assembling your pool, drill the required holes in the Verticals.

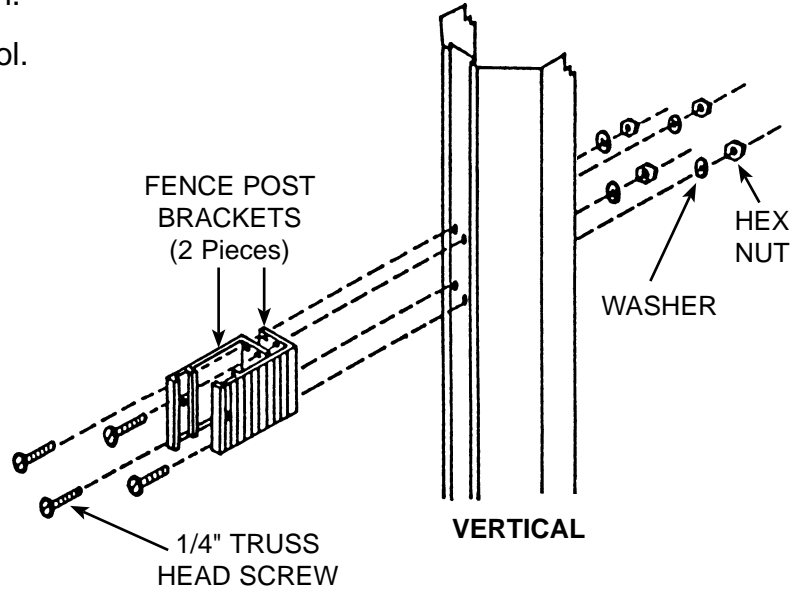
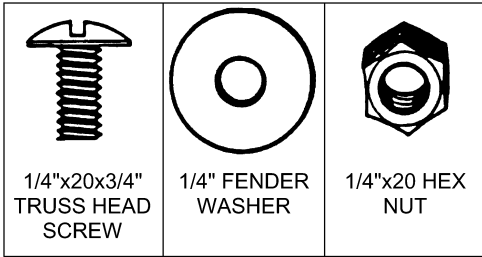
Simply place the bracket $7\frac{3}{4}$ " from the top of the Vertical. Then, using the Post Bracket as a template, drill through the Vertical using a $\frac{5}{16}$ " drill bit.

If your pool is filled with water it will be necessary for you to lower the water level to 2' deep in order to safely drill these holes and attach the Fence Post Brackets.

2

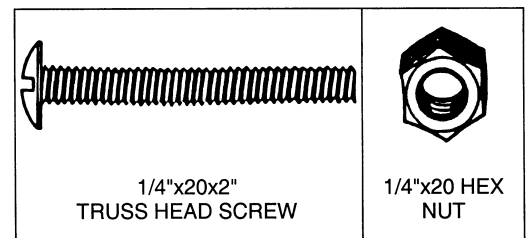
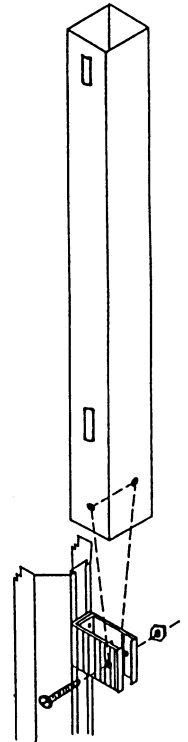
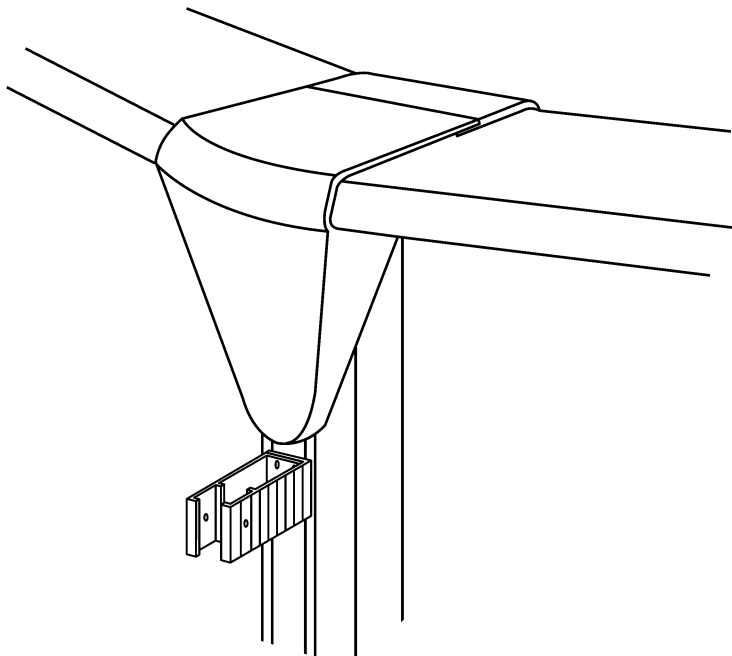
Take the Verticals and attach two Fence Post Brackets to each Vertical using the 1/4 x 20 x 3/4" Screws and Washers and Hex Nuts provided as shown.

You may now assemble your pool.



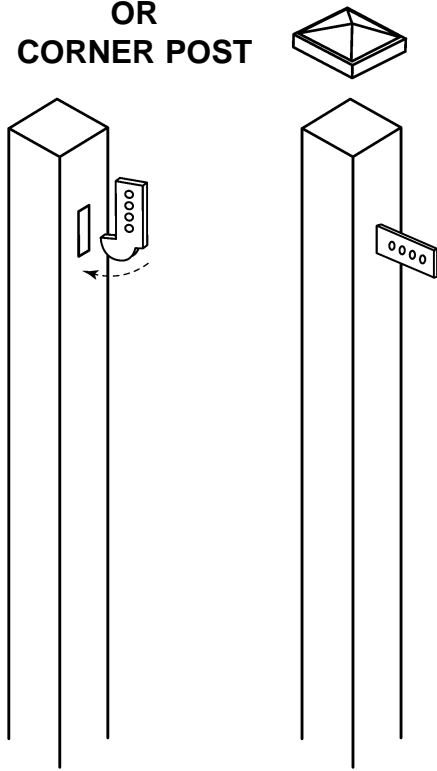
3

Assemble the Square Fence Post to the Post Bracket using the 1/4" x 20 x 2" Screws and Hex Nuts as shown at right. If your pool is equipped with Full-Contoured Covers like those below, you must first assemble the covers to the pool before attaching the Posts.



4

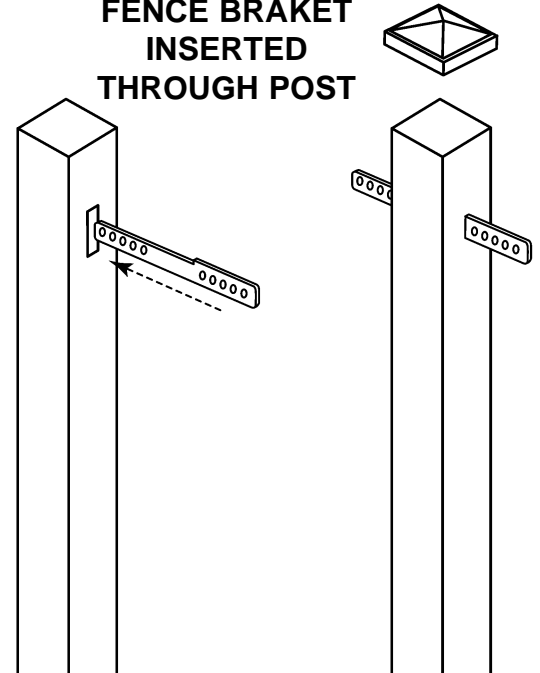
**END POST
OR
CORNER POST**



Attach the Universal Fence Brackets to the top of the End or Corner Posts simply by inserting the oval end into the slot in the Post and pressing down as shown.

Next, press one Post Cap to the top of each Post.

**STANDARD POST
FENCE BRACKET
INSERTED
THROUGH POST**

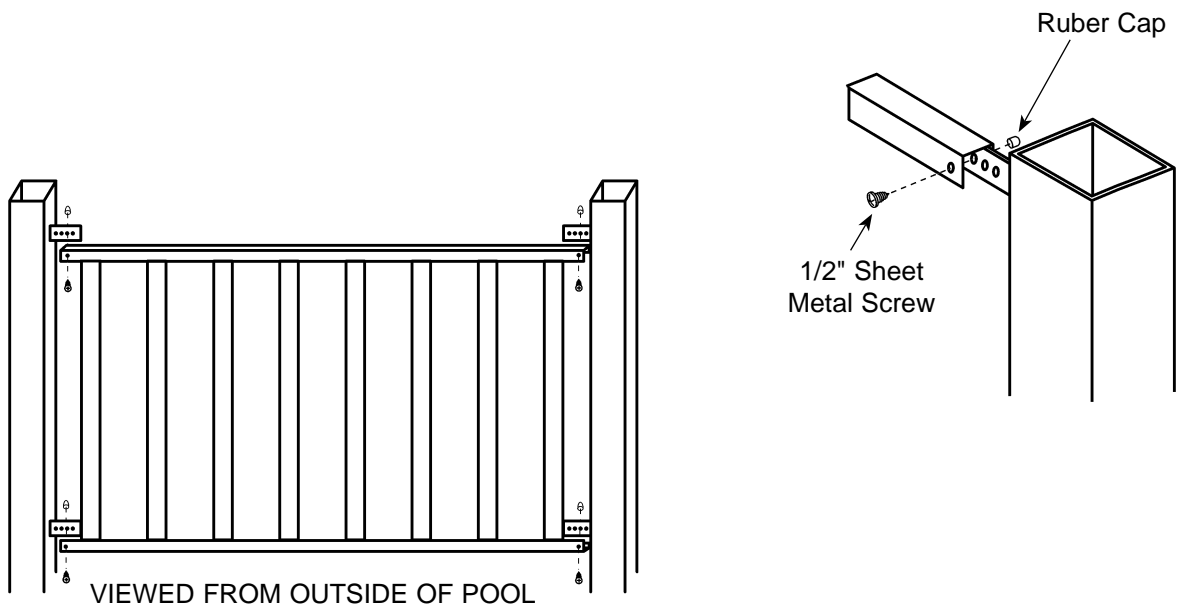


Attach the Straight Fence Brackets to the top of the Standard Posts simply by inserting the shorter end through the slots in the Post until it stops.

Next, press one Post Cap to the top of each Post.

5

Attach the Fence portions to the Fence Brackets using the 1/2" Sheet Metal Screws as illustrated below. Slip a protective Rubber Screw Cap on the exposed end of each screw.

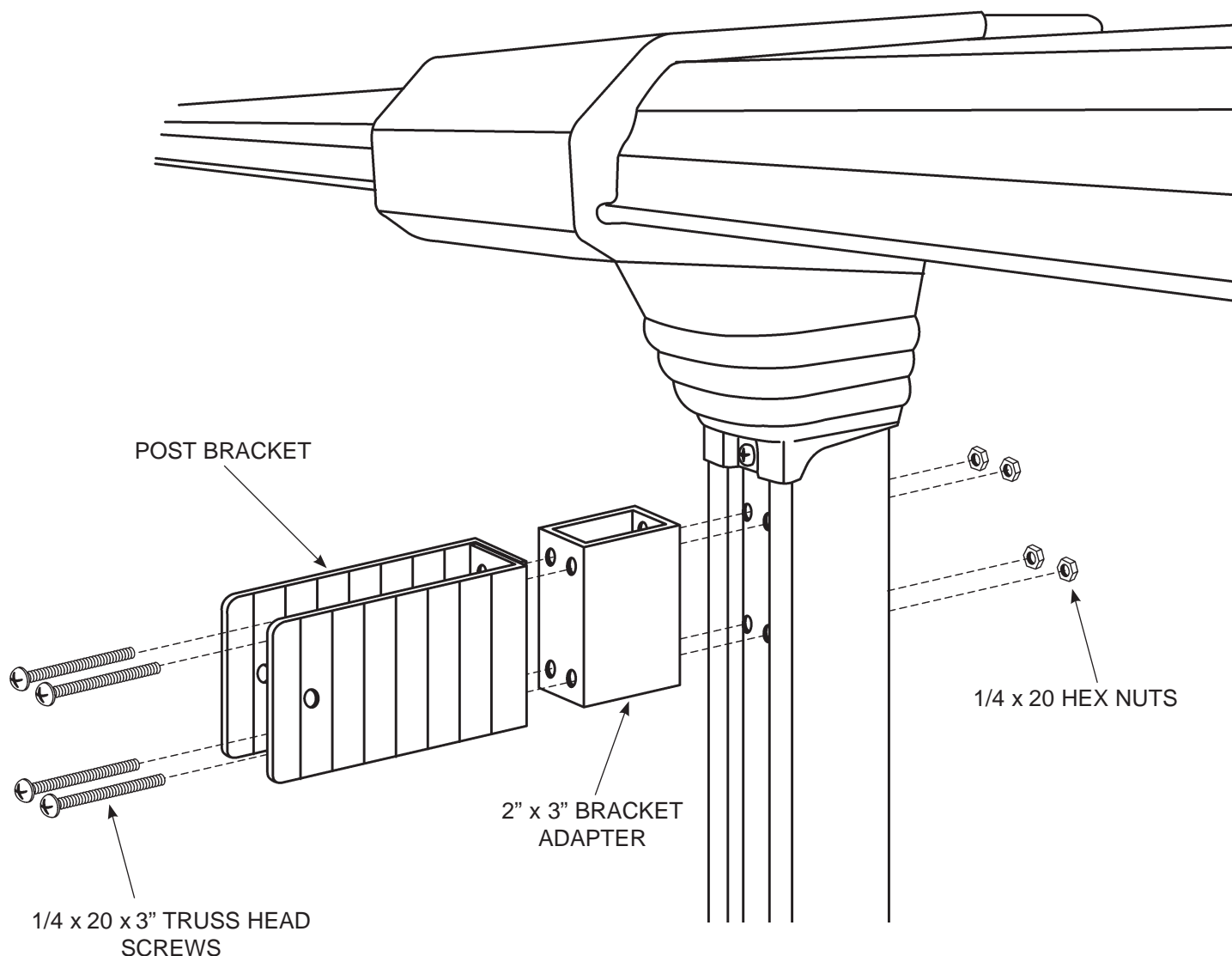


OVAL POOL FENCE INSTALLATION SUPPLEMENT

**This supplement only applies for the Straight Side of the 9 inch XL Oval Pools.*

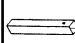






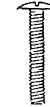
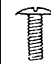




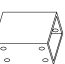
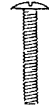
On every Buttress Post you must insert one 2" x 3" Bracket Adapter between the Buttress Post and the Post Brackets.

Follow the steps as shown on the illustration bellow.



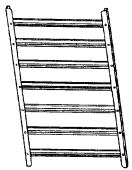
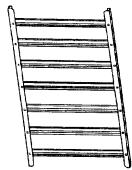
For Oval Pool Models : XL10,000 and Paragon

PACKING LIST - FENSURROUND WITH 36" WHITE FENCE

	ROUND POOLS										OVAL POOLS							POLE POOLS				
PART #	DESCRIPTION	12'	15'	18'	21'	24'	27'	30'	33'	18' X 12'	24' X 12'	24' X 15'	30' X 15'	33' X 15'	39' X 18'	45' X 18'	12' X 8'	15' X 10'	18' X 12'	21' X 15'	24' X 18'	
CARTON 1																						
	191090	47 1/2" POST	10	10	12	14	16	18	20	22	14	16	16	18	20	24	26	12	14	16	16	18
	190989	POST BRACKET	20	20	24	28	32	36	40	44	28	32	32	36	40	48	52	24	28	32	32	36
	191001	UNIVERSAL FENCE BRACKET	8	8	8	8	8	8	8	8	8	8	8	8	8	8	8	8	8	8	8	8
	191089	STRAIGHT FENCE BRACKET	20	20	24	28	32	36	40	44	28	32	32	36	40	48	52	24	28	32	32	36
	360161	POST CAP	10	10	12	14	16	18	20	22	14	16	16	18	20	24	26	12	14	16	16	18
	420875	INSTRUCTIONS	1	1	1	1	1	1	1	1	1	1	1	1	1	1	1	1	1	1	1	1
	420446	30 YEAR WARRANTY	1	1	1	1	1	1	1	1	1	1	1	1	1	1	1	1	1	1	1	1
	460201	2" BOLT	10	10	12	14	16	18	20	22	14	16	16	18	20	24	52	12	14	16	16	18
	460118	3/4" BOLT	40	40	48	56	64	72	80	88	56	64	64	72	80	96	208	48	56	64	64	72
	460218	1/2" SHEET METAL SCREW	40	40	48	56	64	72	80	88	56	64	64	72	80	96	208	48	56	64	64	72
	460172	HEX NUT	50	50	60	70	80	90	100	110	70	80	80	90	100	120	260	60	70	80	80	90
	460204	WASHER	40	40	48	56	64	72	80	88	56	64	64	72	80	96	208	48	56	64	64	72
	460155	RUBBER CAP	40	40	48	56	64	72	80	88	56	64	64	72	80	96	208	48	56	64	64	72
	191212	2" x 3" ADAPTER BRACKET	-	-	-	-	-	-	-	-	4	6	6	8	8	12	14	-	-	-	-	-
	460202	1/4"x20x3" TH SCREW	-	-	-	-	-	-	-	-	16	24	24	32	32	48	56	-	-	-	-	-

DANGER! DO NOT DIVE OR JUMP INTO YOUR POOL. IF YOU DIVE OR JUMP INTO YOUR POOL YOU RUN THE RISK OF PERMANENT INJURY OR DEATH. ALERT ALL VISITORS AND FAMILY OF THIS AND POINT OUT ALL WARNING LABELS SUPPLIED.

36" FENCE

		ROUND POOLS										OVAL POOLS						POLE POOLS					
PART #	FENCE SIZE	12'	15'	18'	21'	24'	27'	30'	33'	36'	18' X 12'	24' X 12'	24' X 15'	30' X 15'	33' X 18'	39' X 18'	45' X 18'	12' X 8'	15' X 10'	18' X 12'	21' X 15'	24' X 18'	
CARTON 2																							
	500533	57"	-	10	12	7	9	9	10	10	-	-	7	7	9	10	10	-	-	-	-	7	7
	500530	47"	10	-	-	-	-	-	-	-	7	7	-	-	-	-	-	-	-	-	-	-	-
	500528	41 5/8"	-	-	-	-	-	-	-	-	-	-	-	-	-	-	-	-	-	-	7	-	-
	500527	38 5/8"	-	-	-	-	-	-	-	-	-	-	-	-	-	-	-	-	-	12	-	-	-
	500526	36"	-	-	-	-	-	-	-	-	-	-	-	-	-	-	-	-	10	-	-	-	-
500521	16 3/4"	-	-	-	-	-	-	-	-	-	-	-	-	-	-	-	-	2	2	1	-	-	
CARTON 3																							
	500533	57"	-	-	-	7	7	9	10	12	-	-	1	1	1	-	-	-	-	-	-	3	5
	500530	47"	-	-	-	-	-	-	-	-	1	1	-	-	-	-	-	-	-	-	-	-	-
	500684	45"	-	-	-	-	-	-	-	-	2	8	4	10	10	10	16	-	-	-	-	-	-
	500528	41 5/8"	-	-	-	-	-	-	-	-	-	-	-	-	-	-	-	-	-	-	7	-	-
	500525	33"	-	-	-	-	-	-	-	-	4	-	4	-	-	4	-	-	-	-	-	-	-
	500523	25 11/16"	-	-	-	-	-	-	-	-	-	-	-	-	-	-	-	-	-	-	-	2	2
500522	22"	-	-	-	-	-	-	-	-	-	-	-	-	-	-	-	-	-	-	-	4	4	
500521	16 3/4"	-	-	-	-	-	-	-	-	-	-	-	-	-	-	-	-	-	-	1	-	-	

Your pool is approximately 4' deep. It is not designed for diving or jumping. ADULT SUPERVISION REQUIRED