

ASSEMBLY INSTRUCTIONS

3 x 5

5 x 6

5 x 9

FREE STANDING DECKS FOR 52 INCH POOLS



READ THROUGH AND UNDERSTAND ALL THE STEPS TO THIS INSTALLATION BEFORE ATTEMPTING TO INSTALL EITHER YOUR POOL OR YOUR DECK.


Swim'n Play, Inc.
Makers of Fine Above Ground Pools®

313 REGINA AVENUE
RAHWAY, NEW JERSEY 07065-4891

Phone: (732) 574-1500

Fax: (732) 574-1551

www.swimnplay.com

E-mail: info@swimnplay.com



DANGER

DO NOT DIVE OR JUMP into your pool. Your pool is approximately 4' deep. It is not designed for diving or jumping. If you dive or jump into your pool you run the risk of permanent injury or death. Alert all visitors and family of this and point out all warning labels supplied.

ADULT SUPERVISION REQUIRED

GENERAL

Take time to follow the instructions and do things right the first time. Read all instructions prior to starting. Before you start, check to see that you have the correct number of parts. Use your parts list which is broken down by carton.

The manufacturer reserves the right to revise, change or modify construction of their product.

CONTRACT INSTALLATIONS

The manufacturer is in no way affiliated with any professional installer. Therefore the manufacturer can assume no responsibility, for errors in installation by the home owner or said professional installer. If you have your deck installed by others, please supervise to be sure they comply with THE proper installation techniques shown. Their past experience or short cuts may not cover the latest improvements in our decks. Do not allow any short cuts of any nature.

LOCAL CODES

Local building code may require obtaining a building permit and may have regulations on set backs, barriers, devices and other conditions that must be followed. Any after market or home built deck should be built to the local building code requirements, including load capacity and fencing requirements.

Local electrical code may require obtaining a building permit and may have regulations on setbacks, devices and other conditions that must be followed.

All electrical outlet connections should be a minimum of 5 feet from the outside perimeter of the wall of the pool. From 5-10 feet there should be either a fixed connection (outlet box) or twistlock connection with a GFCI. Connect power cords to a 3-wire grounding-type outlet only.

Severe electrical shock could result if you install your pump or filter on a deck. They could fall into the water, causing severe shock or electrocution. Do not install on a deck or other surface at, above or slightly below the top SEAT of the pool.

BARRIER REQUIREMENTS

If the distance from the top of the assembled pool is less than 48" vertically from the surrounding grade, a fence or barrier is needed to surround the pool with a minimum height of 48".

A barrier is necessary to provide protection against potential drowning and near drowning and is not

a substitute for constant supervision of children. A barrier is a fence, wall, or a combination thereof which completely surrounds the swimming pool and obstructs access to the swimming pool. Barriers must comply with local and national building codes and the US Consumer Product Safety Commission.

These ARE minimum fencing and barrier requirements. Check your local building codes for other requirements they may request. Optional fencing kits are available, Please contact your local dealer.

If pool covers are used for safety barriers they should comply with ASTM F 1346 "Standard Performance Specification for Safety Covers and Labeling Requirements for All Covers for Swimming Pools, Spas and Hot Tubs."

GETTING STARTED

Unpack and identify all the parts to your deck using the enclosed packing list.

TO ASSEMBLE THE DECK YOU WILL NEED:

1. DRILL WITH A 7/64", 5/32", 3/16" AND 5/16" BIT
2. 7/16" WRENCH
3. #3 POINT PHILLIPS SCREW DRIVER
4. MEASURING TAPE AND MARKING PENCIL

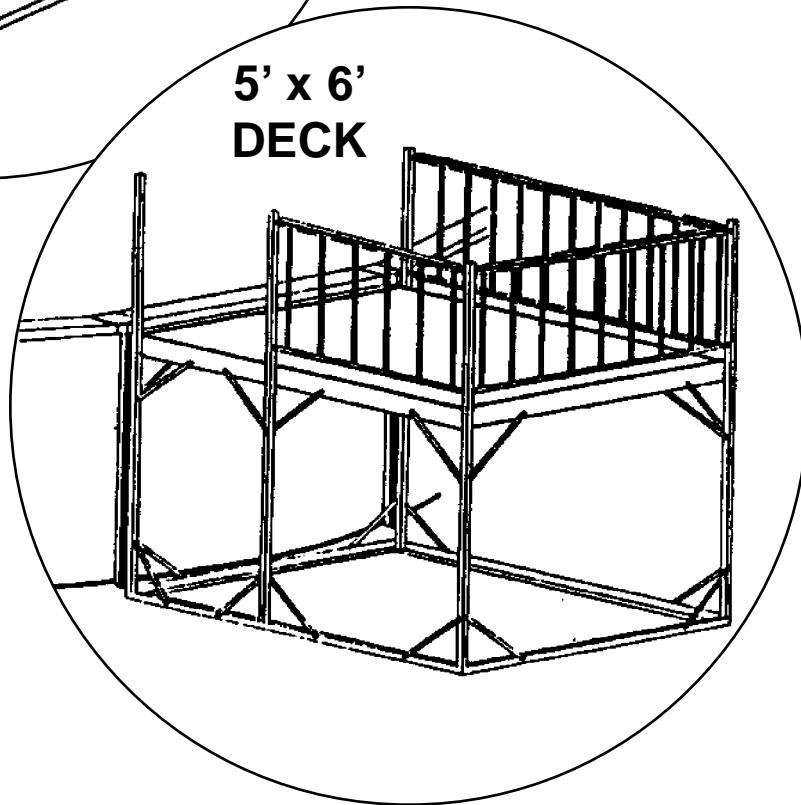
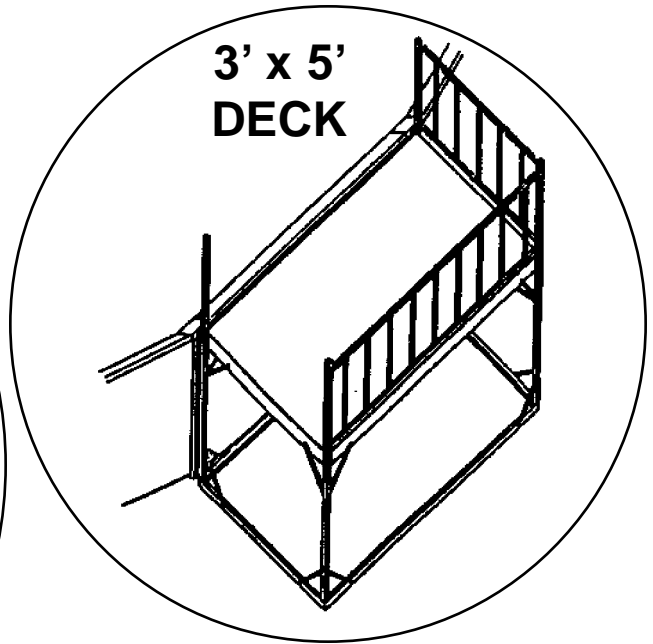
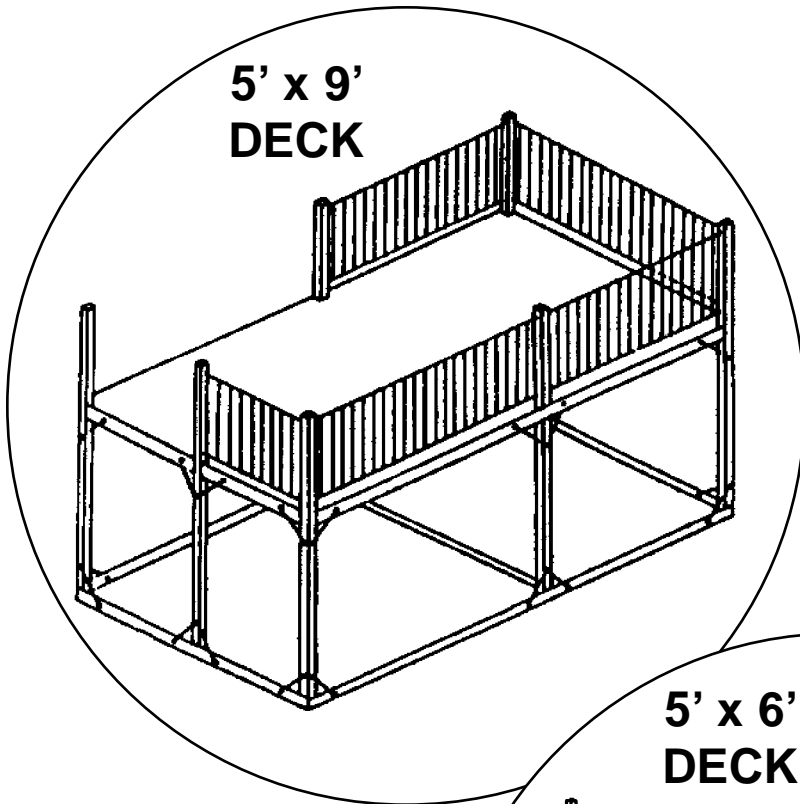
ATTENTION DECKS ARE MADE FOR 52 INCH DEEP POOLS

IF YOUR POOL IS 48" DEEP
YOU WILL HAVE TO DIG A TRENCH
OR CUT THE BOTTOM OF THE POSTS
(4 INCHES) IN ORDER TO LEVEL THE HEIGHT OF
THE DECK WITH THE HEIGHT OF YOUR POOL.

**THE BASE OF THE DECK MUST BE LEVEL
WITH THE TOP LEDGE OF YOUR POOL**

ASSEMBLY DRAWING

Use the drawings below for reference while assembling your deck.



1

Clear out and level the ground in the location where your deck is to be installed.

2

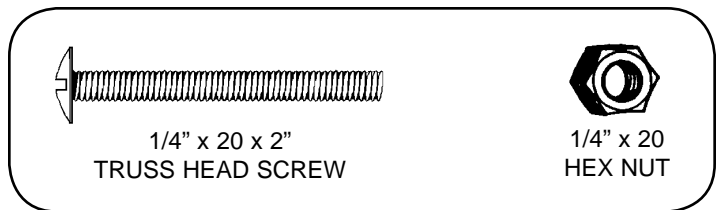
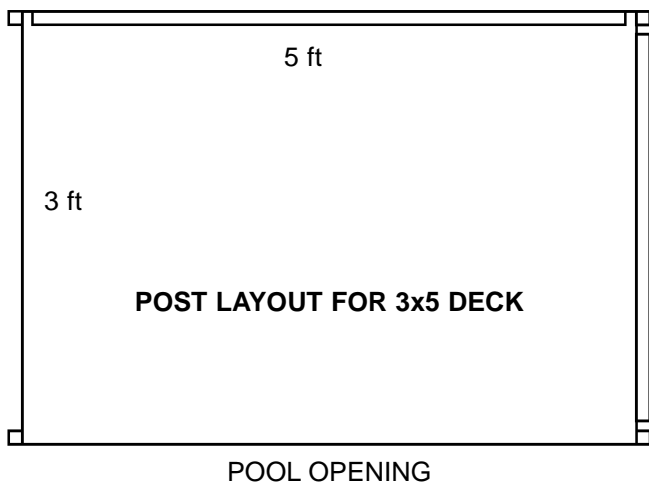
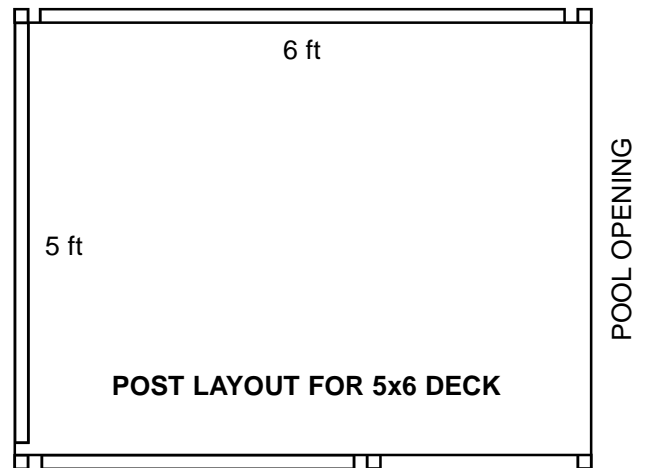
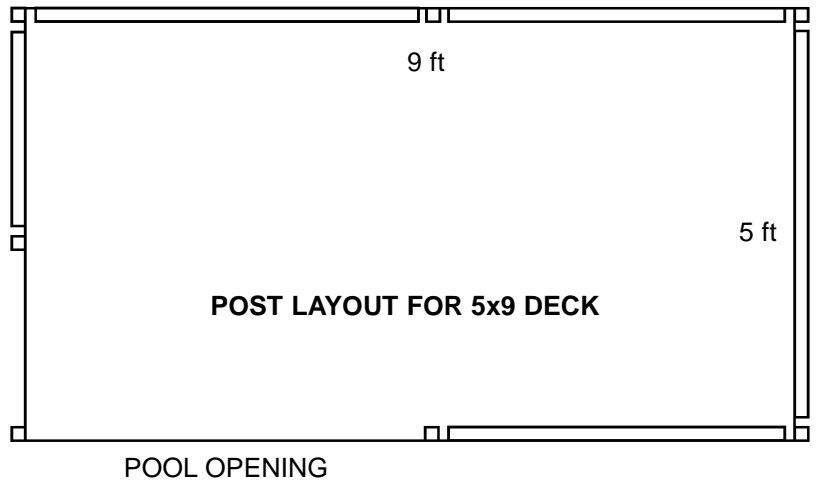
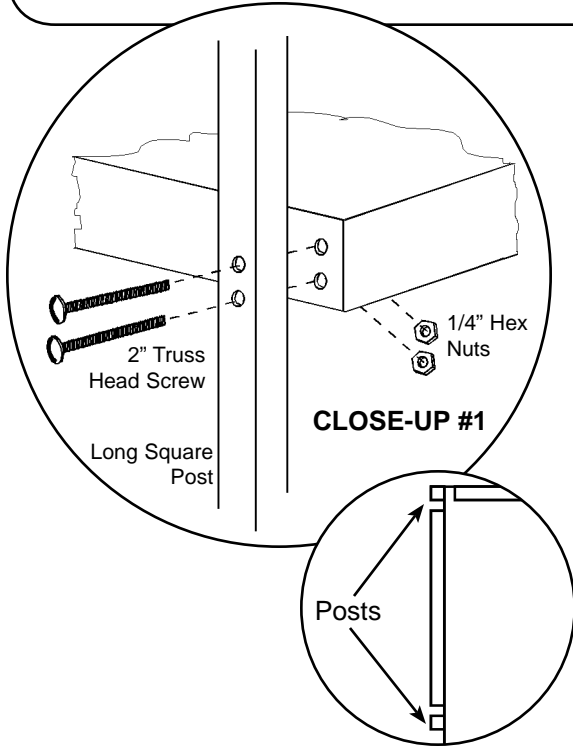
IMPORTANT: ONLY HAND TIGHTEN SCREWS AT THIS TIME

Elevate your deck using either patio blocks or saw horses.

To the locations illustrated for your deck, fasten Long Square Posts using two 1/4"x20x2" Truss Head Screws and two Hex Nuts for each post (see Close-Up #1).

ONLY HAND TIGHTEN THE SCREWS at this time.

On the 5' x 9' Deck, insert two Posts in the middle directly through the deck. It may be necessary to cut the carpet around the square opening provided.

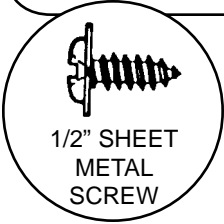


3

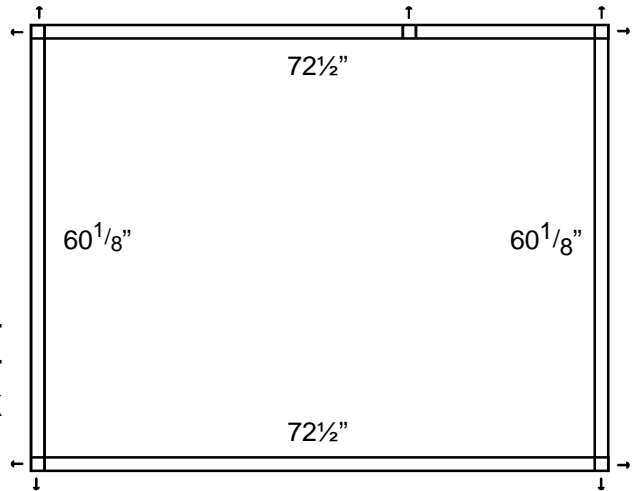
IMPORTANT: ONLY HAND TIGHTEN SCREWS AT THIS TIME

Position the Bottom Support Channels (long "L" shaped pieces) at the bottoms of the Posts according to the illustration for your size deck. Note the different sizes.

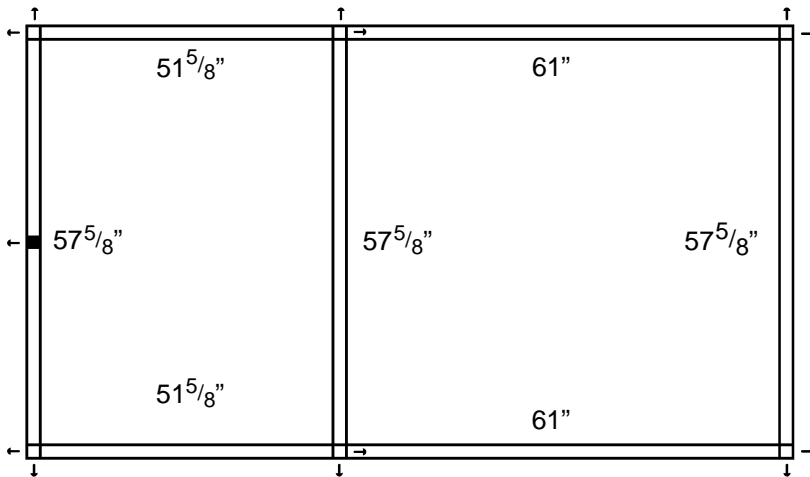
Attach the Bottom Support Channels to the bottom of the Posts using the 1/2" Sheet Metal Screws.



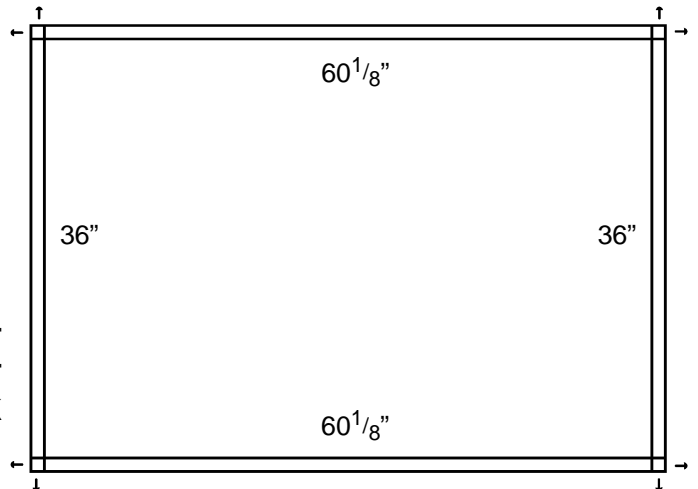
BOTTOM SUPPORT CHANNEL LAYOUT FOR 5x6 DECK



BOTTOM SUPPORT CHANNEL LAYOUT FOR 5x9 DECK



BOTTOM SUPPORT CHANNEL LAYOUT FOR 3x5 DECK



4

IMPORTANT: ONLY HAND TIGHTEN SCREWS AT THIS TIME

Attach the Angle Support Bars, referring to the illustrations below for the correct assembly procedure at each location.

Where one Angle Support Bars attach to the Post use the 1/2" Sheet Metal Screws.

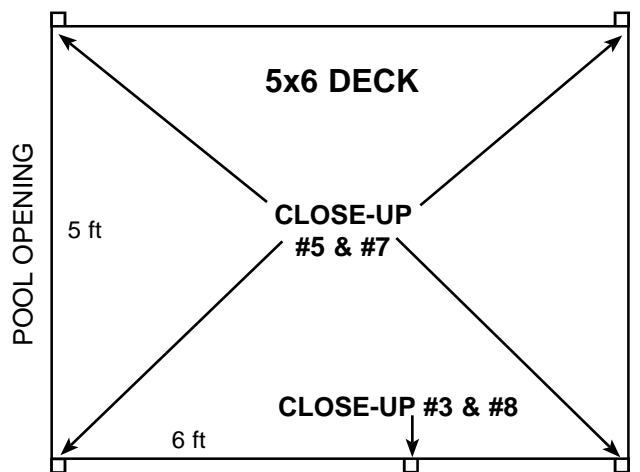
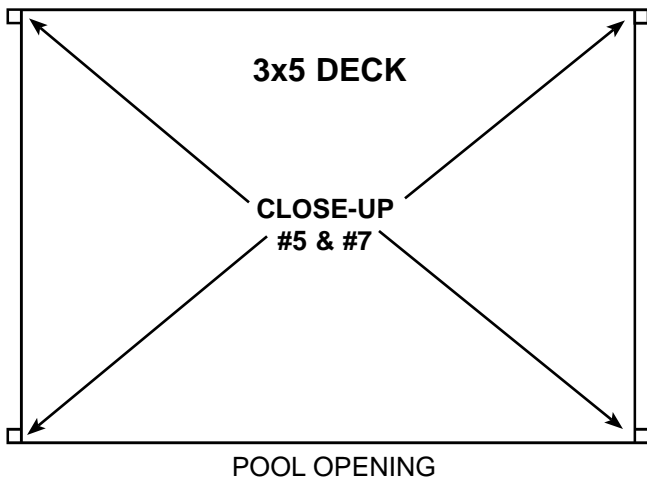
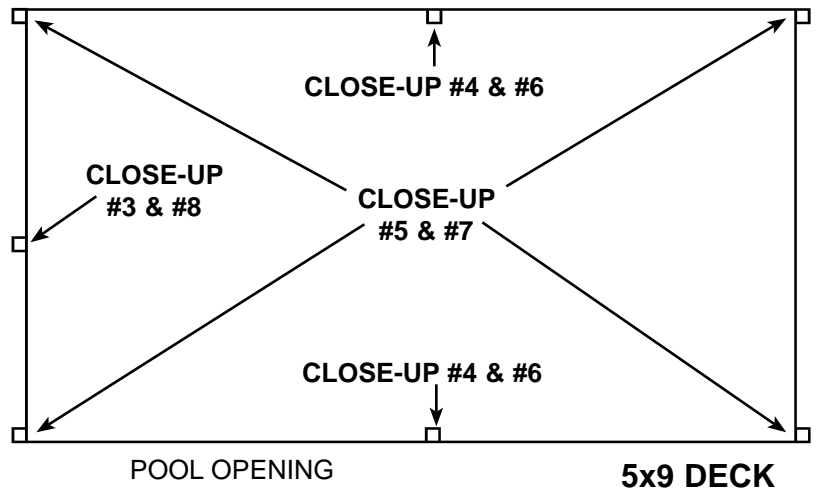
Where 2 Angle Support Bars attach to the Post, use the 1" Sheet Metal Screws.

Where the Angle Support Bars attach to the Bottom Support Channels or the deck, use 1/2" Truss Head Screws and Hex Nuts.

Note carefully in the Close-Ups the position of the slots in the Angle Support Bars. Again, only hand tighten screws at this time.

USING THE DIAGRAM FOR YOUR SIZE DECK, ASSEMBLE THE ANGLE SUPPORT BARS ACCORDING TO THE CLOSE-UP ILLUSTRATIONS SPECIFIED FOR EACH LOCATION

(NOTE: The first Close-up listed at each location is for the Angle Support Bars attaching to the deck, the second is for the Angle Support Bars attaching to the Bottom Support Channels.)



1/2" SHEET METAL SCREW



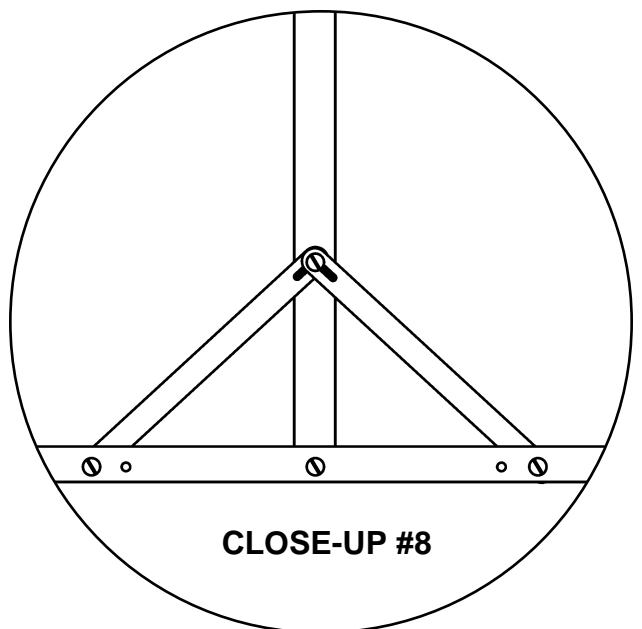
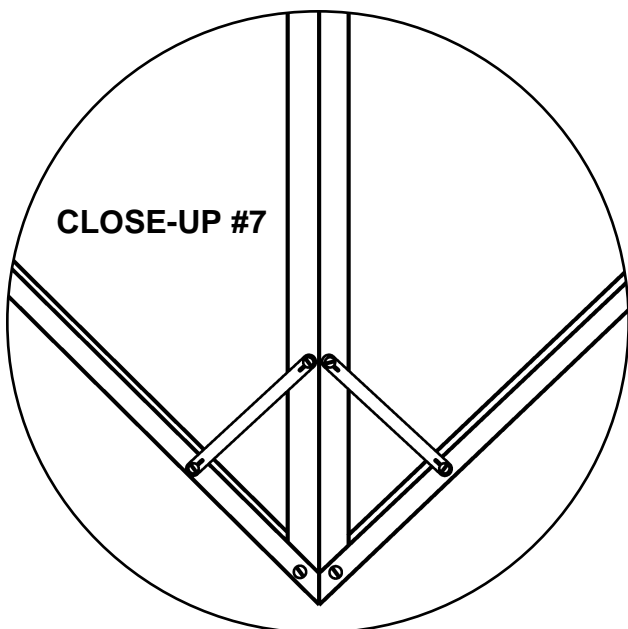
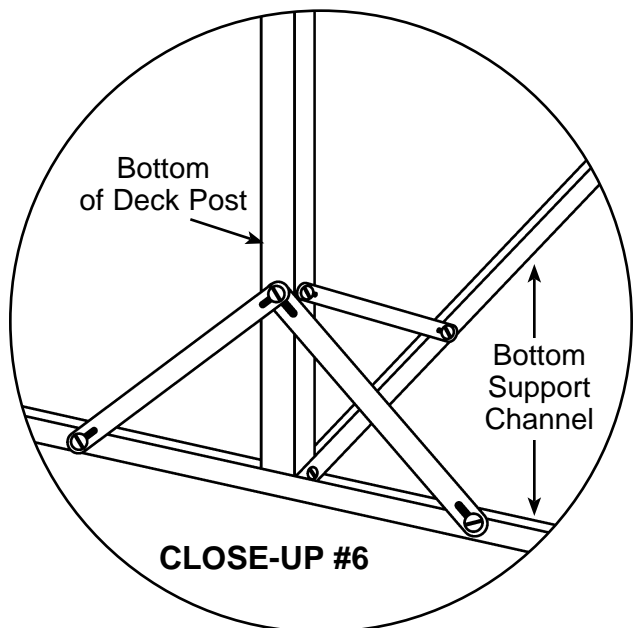
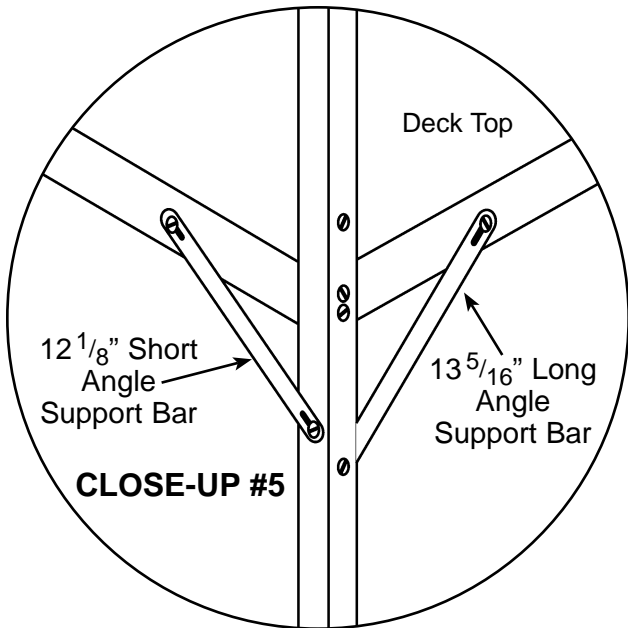
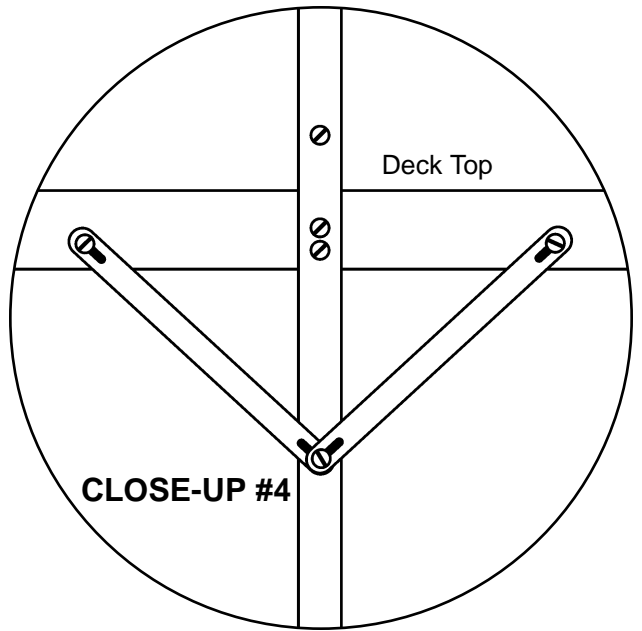
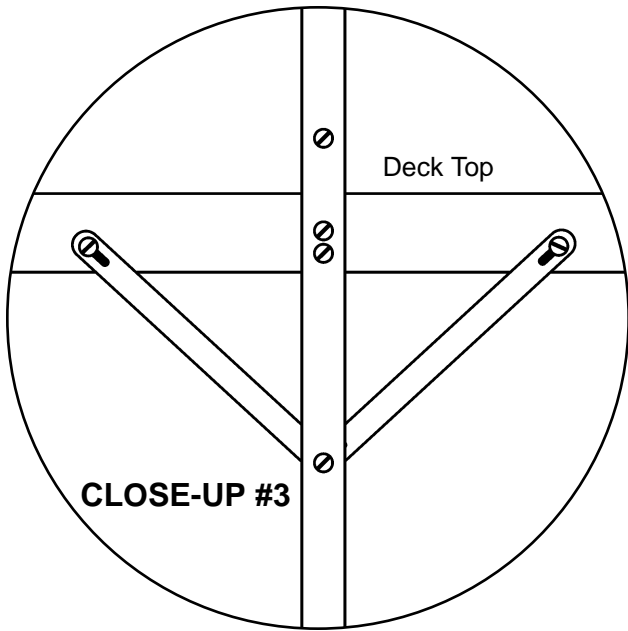
1/4"x20x1/2" TRUSS HEAD SCREW



1/4"x20 HEX NUT



1" SHEET METAL SCREW

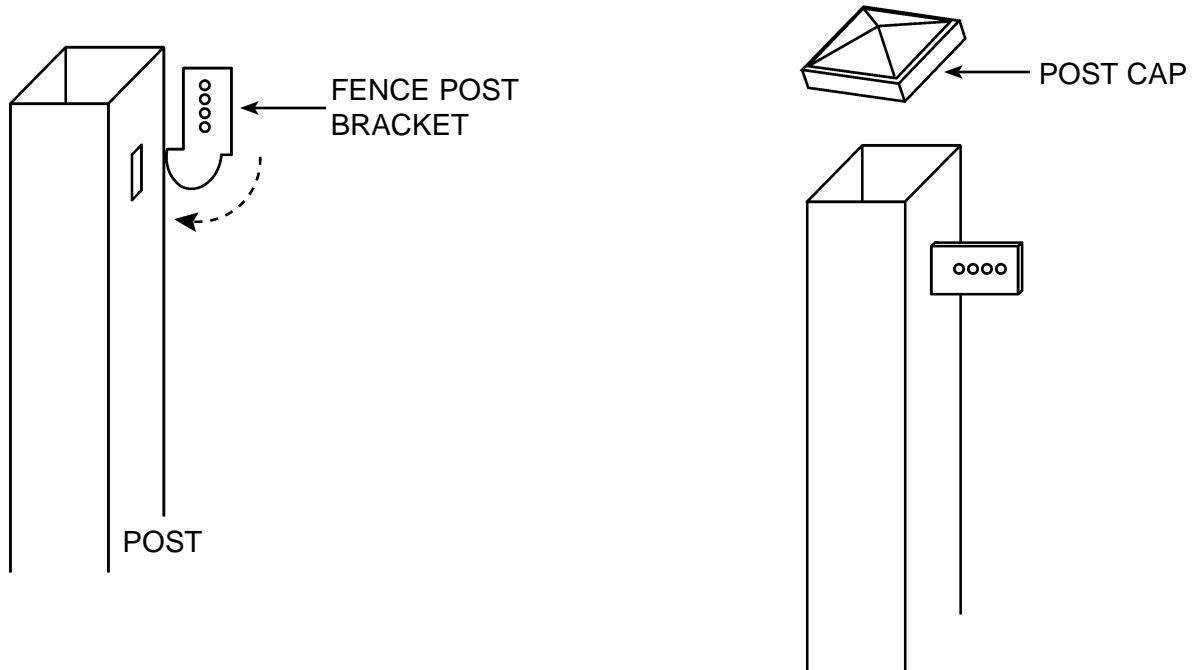


5

Before continuing, make sure that all the Posts are perfectly straight and tighten all screws and nuts securely. You may now remove the sawhorse or patio blocks and allow your deck to rest on the ground.

Next, attach the Fence Brackets to the top of the Posts simply by inserting the oval end into the slot in the Post and pressing down as shown.

Use the illustrations in step #6 to help you identify which locations the Fence Brackets will be needed to support the fence. Next, press one Post Cap to the top of each Post.

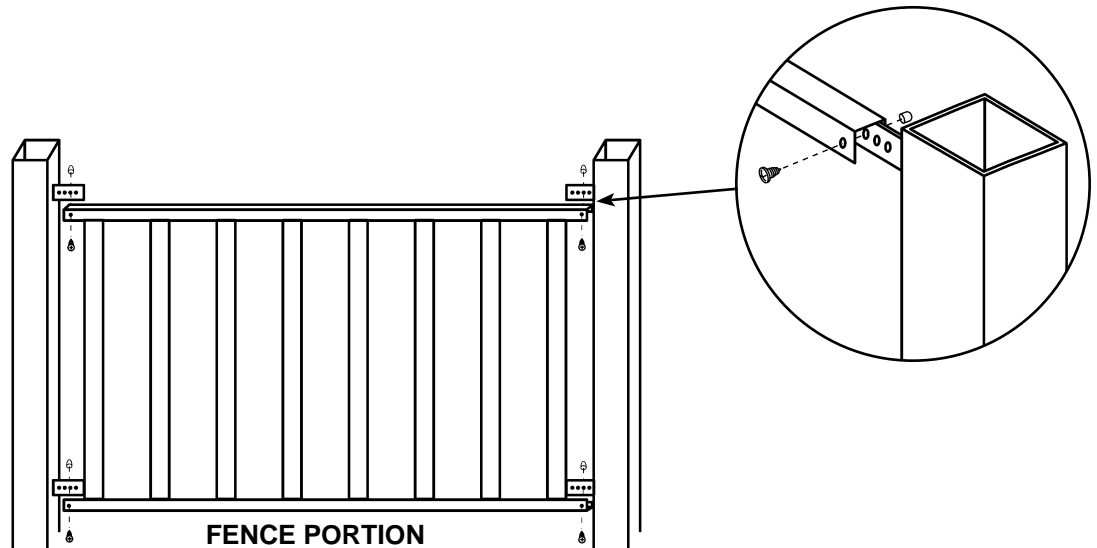


6

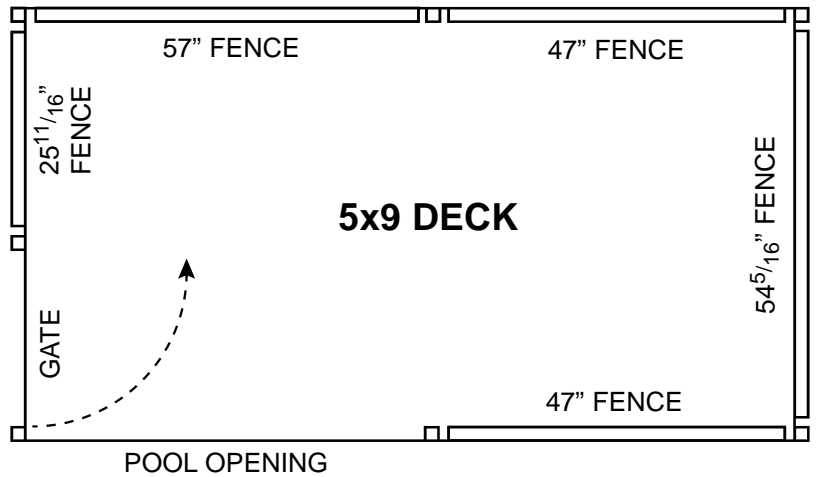
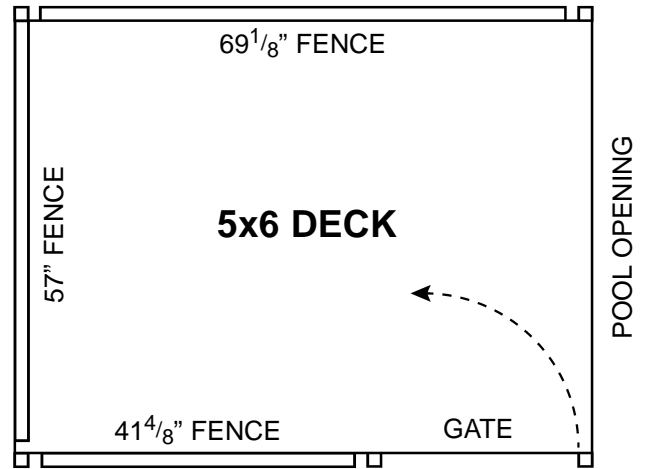
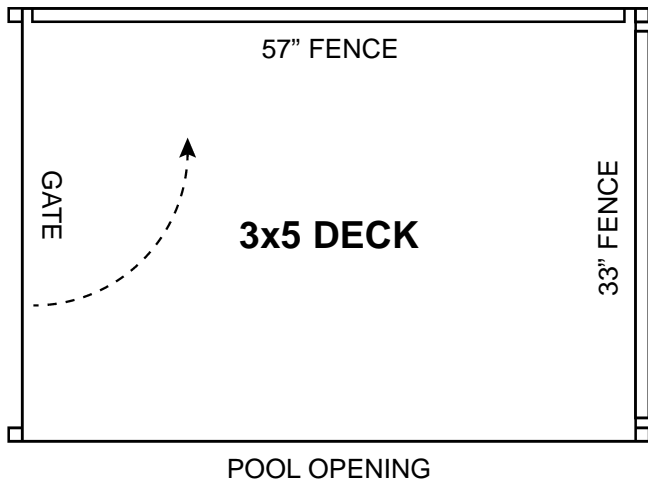
Attach the Fence sections to the Fence Brackets using the ½" Sheet Metal Screws as illustrated below.

Place one small plastic Screw Cover on the end of each screw.

Refer to the Fence Placement Illustrations on the next page for the location of each fence size.



FENCE PLACEMENT ILLUSTRATIONS



Using the Latch, Latch Bar and Hinges as templates, drill the holes in the locations as illustrated at right.

Drill a 5/32 hole for the Latch Bar and Self Closing Hinges.

Drill a 7/64 hole for the Latch.

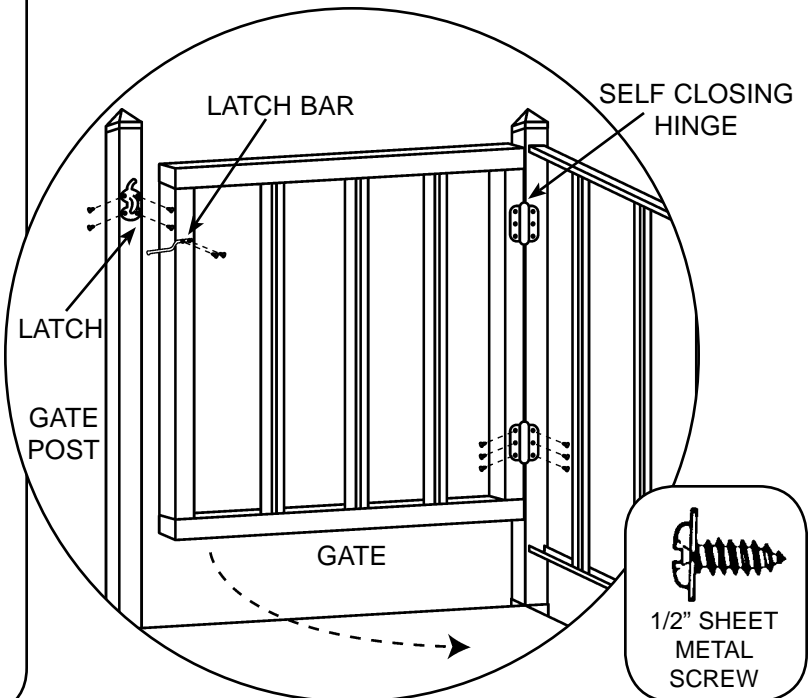
Mount the Hinges and the Gate using #10x1/2" long Self-Tapping Screws so that the Gate swings in to the deck in the direction of the rear fence.

Mount the Latch Bar to the Gate using #10x1/2" Self-Tapping Screws.

Mount the Latch to the Gate Post using #6x3/8" long Self-Tapping Screws (Note: the Latch mounts approximately 21/8" from the top of the Gate).

Test the Gate to insure that it is perfectly aligned and closes and completely latches by itself. It is very important to periodically test and maintain the Gates proper functioning.

WARNING: Make sure that your pool is not accessible when not in use!!!



VIEW FROM INSIDE THE DECK

7

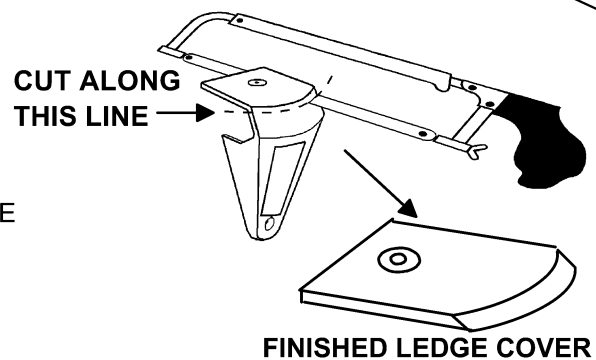
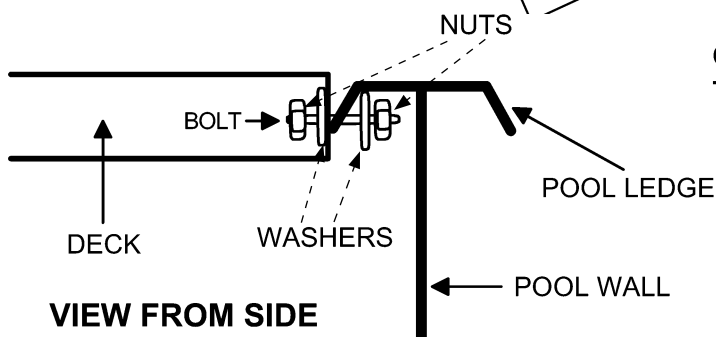
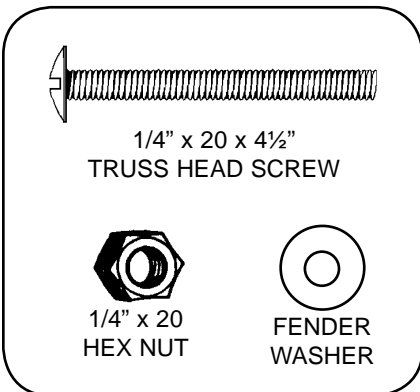
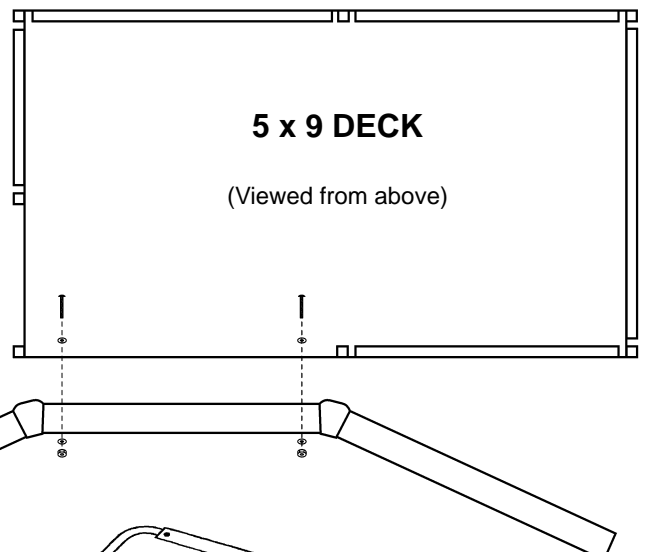
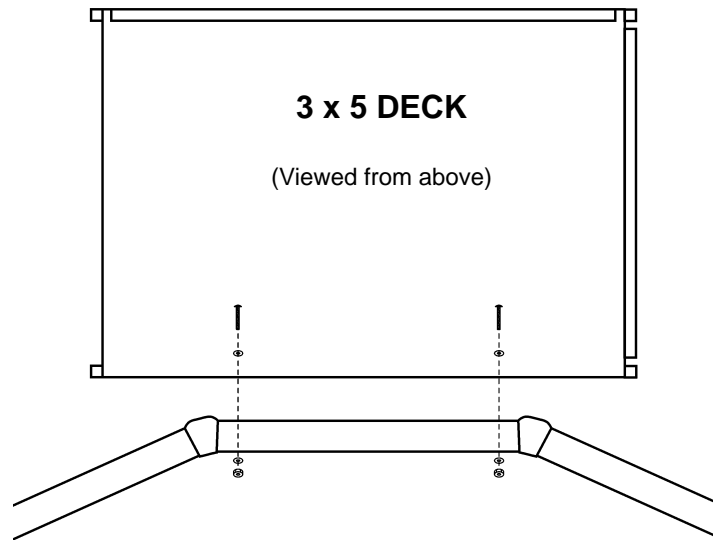
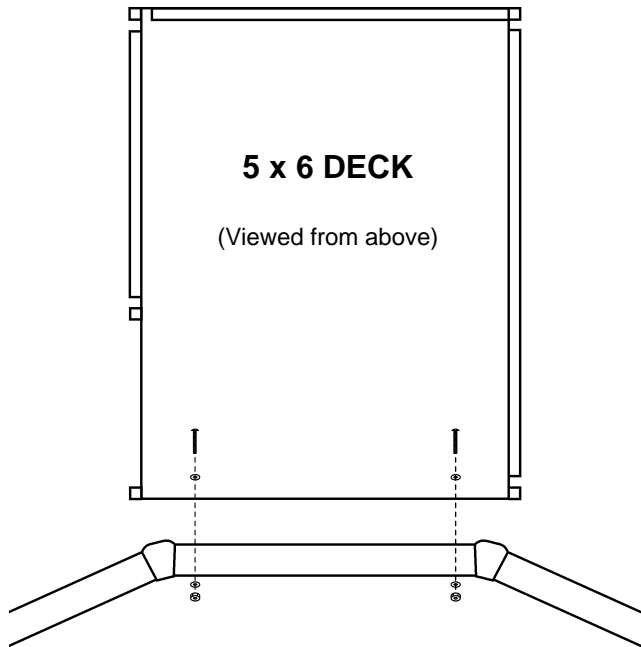
Attach your assembled deck to your pool as shown.

Move your deck into its final position.

Drill two 5/16" holes through the deck and the ledge of your pool.

Using the two 3" Truss Head Screws, four Fender Washers and two Hex Nuts, secure the deck to your pool at each patio section.

If your pool is equipped with full contour ledge covers, it is necessary to remove them and cut them with a hacksaw as indicated below. This will enable the deck to mount closer to the pool.



8

LADDER ASSEMBLY INSTRUCTIONS

- a) Assemble the Ground to Deck Ladder as per the instructions packed in it's carton.
- b) If supplied, assemble your In-Pool Ladder according to the instructions packed in it's carton.

9

WARNING LABELS

With your deck you are provided with 5 additional Warning Labels. One Large Label (#490090) is to be permanently affixed to the top of the pool's Top Ledge at the entry point of the pool. The two long, thin labels (#490091) are to be affixed on the inside of the pool's Top Ledge opposite to and facing the entry point of the pool. The two Square Labels (#490021) are to be affixed on the outside edge of the deck by the outside ladder. To affix these labels, simply clean the area where the label is to be applied and peel off the backing and press the label firmly into place. Should you need any additional Labels for any reason, simply order them by part number from your local dealer or direct from the manufacturer.



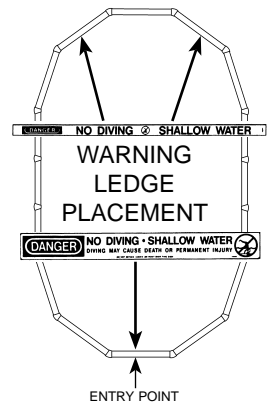
#490090



#490091



#490021



Consumer Awareness Booklets:

The following books are available through the National Pool & Spa Institute:
 "The Sensible Way To Enjoy Your Pool"...published by the NSPI, October 1983 (revised September 1986),
 "Children Aren't Waterproof"...published by the NSPI,
 "Pool & Spa Emergency Procedures For Infants And Children"...published by the NSPI.

Contact: NSPI
 2111 Eisenhower Avenue, Alexandria, Virginia 22314
 (703) 838-0083




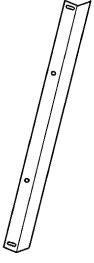
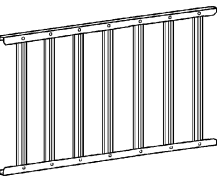

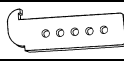

313 REGINA AVENUE
RAHWAY, NEW JERSEY 07065-4891

Phone: (732) 574-1500 • Fax: (732) 574-1551

E-mail: info@swimnplay.com

www.swimnplay.com

FREE STANDING DECK

PART #	DESCRIPTION	3 x 5	5 x 6	5 x 9	
CARTON 1 (GROUND TO DECK LADDER)					
PACKING LIST FOR GROUND TO DECK LADDER ENCLOSED IN LADDER CARTON ASSEMBLE AS PER INSTRUCTIONS					
CARTON 2					
	999999	IN-POOL LADDER (NOT SUPPLIED BY MANUFACTURER)	---	---	---
CARTON 3					
	191041	88-1/2" POST	4	5	7
	190400	72-1/2" BOTTOM ANGLE	---	2	---
	190401	60-1/8" BOTTOM ANGLE	2	2	---
	190402	57-5/8" BOTTOM ANGLE	---	---	3
	190404	51-5/8" BOTTOM ANGLE	---	---	2
	190405	61" BOTTOM ANGLE	---	---	2
	190607	36" BOTTOM ANGLE	2	---	---
CARTON 4					
	500533	57" FENCE	1	1	1
	500537	69-1/8" FENCE	---	1	---
	500532	54-5/16" FENCE	---	---	1
	500523	25-11/16" FENCE	---	---	1
	500530	47" FENCE	---	---	2
	500528	41-5/8" FENCE	---	1	---
	500525	33" FENCE	1	---	---
	190993	LONG ANGLE SUPPORT	12	16	26
	190992	SHORT ANGLE SUPPORT	4	4	4
	191001	UNIVERSAL FENCE BRACKET	8	12	20
	360161	WHITE POST CAP	4	5	7

**WARNING! POOLS ARE NOT DESIGNED FOR DIVING OR JUMPING!
DIVING INTO AN ABOVE GROUND POOL MAY RESULT IN DEATH
OR SERIOUS PERMANENT INJURY!**

DANGER!














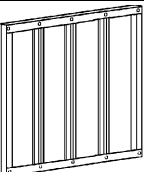

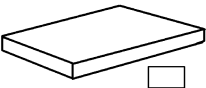
**SHALLOW WATER
NO JUMPING! NO DIVING!**

DANGER!

WARNING! POOLS ARE NOT DESIGNED FOR DIVING OR JUMPING!

FREE STANDING DECK WITH 36" FENCE

PART NUMBER 420712-10
PACKING LIST

	PART #	DESCRIPTION	3 x 5	5 x 6	5 x 9
	360079	WHITE HANDRAIL CAP	4	4	4
	460202	3" BOLT	6	6	6
	460201	2" BOLT	8	10	14
	460203	1/2" BOLT	16	26	40
	460172	HEX NUT	30	32	46
	460204	WASHER	4	4	4
	460200	1/2" SHEET METAL SCREW	36	51	69
	460155	#10 RUBBER CLOSURE	8	12	20
	420325	INSTRUCTIONS	1	1	1
	420712	PACKING LIST	1	1	1
	420446	30 YEAR WARRANTY	1	1	1
	490090	2" x 23" WARNING LABEL	1	1	1
	490091	1" x 26" WARNING LABEL	2	2	2
	490021	4" x 4" WARNING LABEL	4	4	4
	200121	HANDRAIL	2	2	2
	500543	33 1/8" GATE	1	-	-
	500541	25 5/8" GATE	-	1	1
	460186	GATE HINGE	2	2	2
CARTON 5					
	500082	5' x 6' DECK	---	1	---
	500083	5' x 9' DECK	---	---	1
	500142	3' x 5' DECK	1	---	---

**WARNING! POOLS ARE NOT DESIGNED FOR DIVING OR JUMPING!
 DIVING INTO AN ABOVE GROUND POOL MAY RESULT IN DEATH OR
 SERIOUS PERMANENT INJURY!**

DANGER!

**SHALLOW WATER
 NO JUMPING! NO DIVING!**

DANGER!