

ASSEMBLY INSTRUCTIONS

OVAL PROMENADE 30'x15' & 33'x18'



READ THROUGH AND UNDERSTAND ALL THE STEPS TO THIS INSTALLATION BEFORE ATTEMPTING TO INSTALL EITHER YOUR POOL OR YOUR DECK.

IF YOUR POOL IS ALREADY INSTALLED IT MAY BE NECESSARY TO LOWER THE WATER LEVEL IN YOUR POOL DOWN TO 2' TO ENABLE YOU TO PROPERLY INSTALL THIS DECK.



313 REGINA AVENUE
RAHWAY, NEW JERSEY 07065-4891

Phone: (732) 574-1500

Fax: (732) 574-1551

www.swimnplay.com

E-mail: info@swimnplay.com



DANGER

DO NOT DIVE OR JUMP into your pool. Your pool is approximately 4' deep. It is not designed for diving or jumping. If you dive or jump into your pool you run the risk of permanent injury or death. Alert all visitors and family of this and point out all warning labels supplied.

ADULT SUPERVISION REQUIRED

GENERAL

Take time to follow the instructions and do things right the first time. Read all instructions prior to starting. Before you start, check to see that you have the correct number of parts. Use your parts list which is broken down by carton.

The manufacturer reserves the right to revise, change or modify construction of their product.

CONTRACT INSTALLATIONS

The manufacturer is in no way affiliated with any professional installer. Therefore the manufacturer can assume no responsibility, for errors in installation by the home owner or said professional installer. If you have your deck installed by others, please supervise to be sure they comply with THE proper installation techniques shown. Their past experience or short cuts may not cover the latest improvements in our decks. Do not allow any short cuts of any nature.

LOCAL CODES

Local building code may require obtaining a building permit and may have regulations on set backs, barriers, devices and other conditions that must be followed. Any after market or home built deck should be built to the local building code requirements, including load capacity and fencing requirements.

Local electrical code may require obtaining a building permit and may have regulations on setbacks, devices and other conditions that must be followed.

All electrical outlet connections should be a minimum of 5 feet from the outside perimeter of the wall of the pool. From 5-10 feet there should be either a fixed connection (outlet box) or twistlock connection with a GFCI. Connect power cords to a 3-wire grounding-type outlet only.

Severe electrical shock could result if you install your pump or filter on a deck. They could fall into the water, causing severe shock or electrocution. Do not install on a deck or other surface at, above or slightly below the top SEAT of the pool.

BARRIER REQUIREMENTS

If the distance from the top of the assembled pool is less than 48" vertically from the surrounding grade, a fence or barrier is needed to surround the pool with a minimum height of 48".

A barrier is necessary to provide protection against potential drowning and near drowning and is not

a substitute for constant supervision of children. A barrier is a fence, wall, or a combination thereof which completely surrounds the swimming pool and obstructs access to the swimming pool. Barriers must comply with local and national building codes and the US Consumer Product Safety Commission.

These ARE minimum fencing and barrier requirements. Check your local building codes for other requirements they may request. Optional fencing kits are available, Please contact your local dealer.

If pool covers are used for safety barriers they should comply with ASTM F 1346 "Standard Performance Specification for Safety Covers and Labeling Requirements for All Covers for Swimming Pools, Spas and Hot Tubs."

GETTING STARTED

Unpack and identify all the parts to your deck using the enclosed packing list.

TO ASSEMBLE THE DECK YOU WILL NEED:

1. DRILL WITH A 7/64", 5/32", 3/16" AND 5/16" BIT
2. 7/16" WRENCH
3. #3 POINT PHILLIPS SCREW DRIVER
4. MEASURING TAPE AND MARKING PENCIL

ATTENTION DECKS ARE MADE FOR 52 INCH DEEP POOLS

IF YOUR POOL IS 48" DEEP
YOU WILL HAVE TO DIG A TRENCH
OR CUT THE BOTTOM OF THE POSTS
(4 INCHES) IN ORDER TO LEVEL THE HEIGHT OF
THE DECK WITH THE HEIGHT OF YOUR POOL.

**THE BASE OF THE DECK MUST BE LEVEL
WITH THE TOP LEDGE OF YOUR POOL**

Install your pool per the instructions that are packed in with the pool.

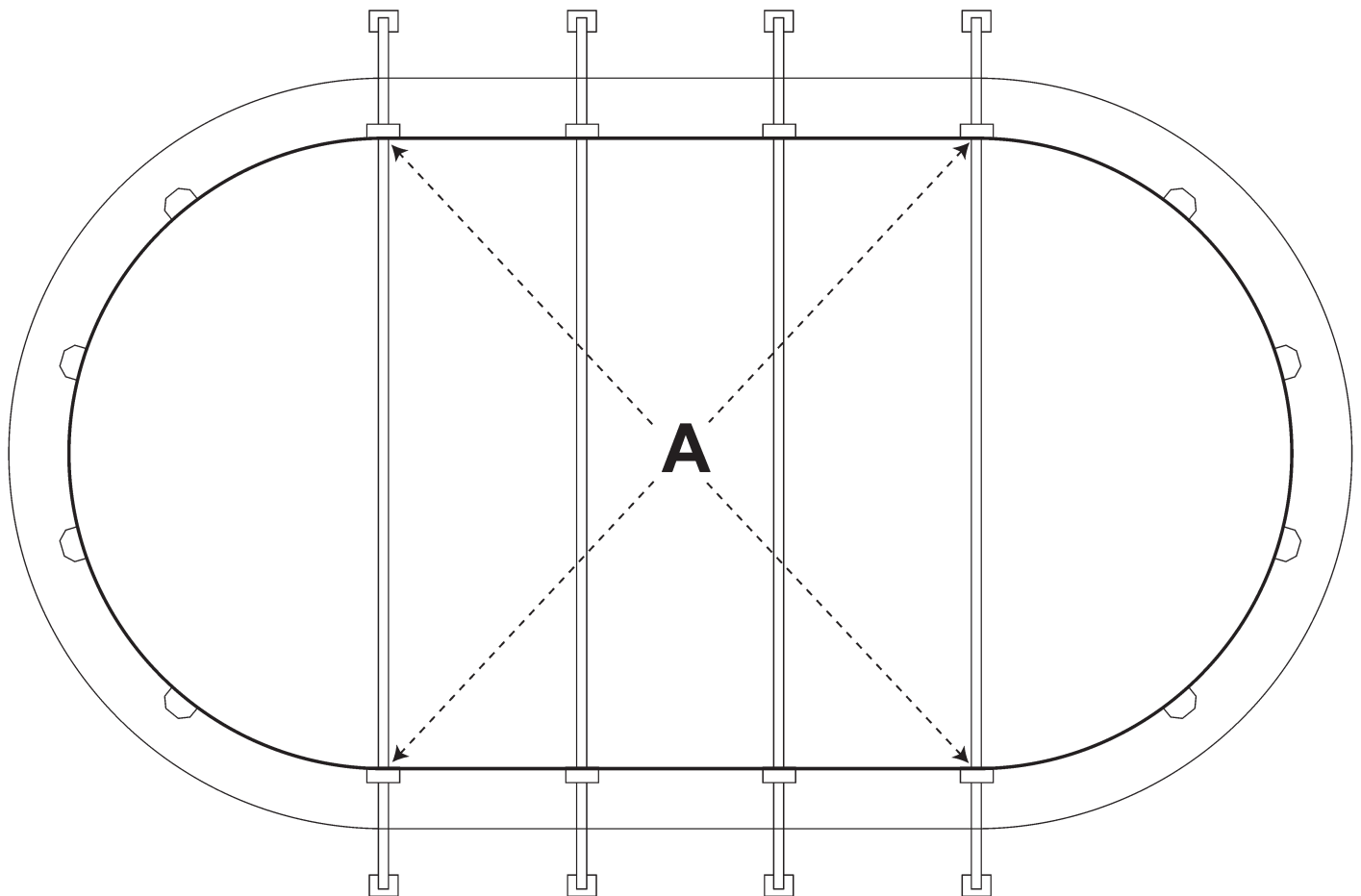
DO NOT INSTALL THE TOP LEDGES OF THE POOL IF THEY ARE PROVIDED.

If your pool is already installed, you will have to lower the water level of your pool to approximately 2 feet deep and remove all the top ledges.

The patio deck and walk sections replace the top ledges of your pool.

It is critical that the center to center distance of the buttress or verticals on the straight side of your pool be exactly 48".

Also the sides must be perfectly square to each other. Confirm this by diagonals measuring across the pool as shown. Both measurements should be equal.

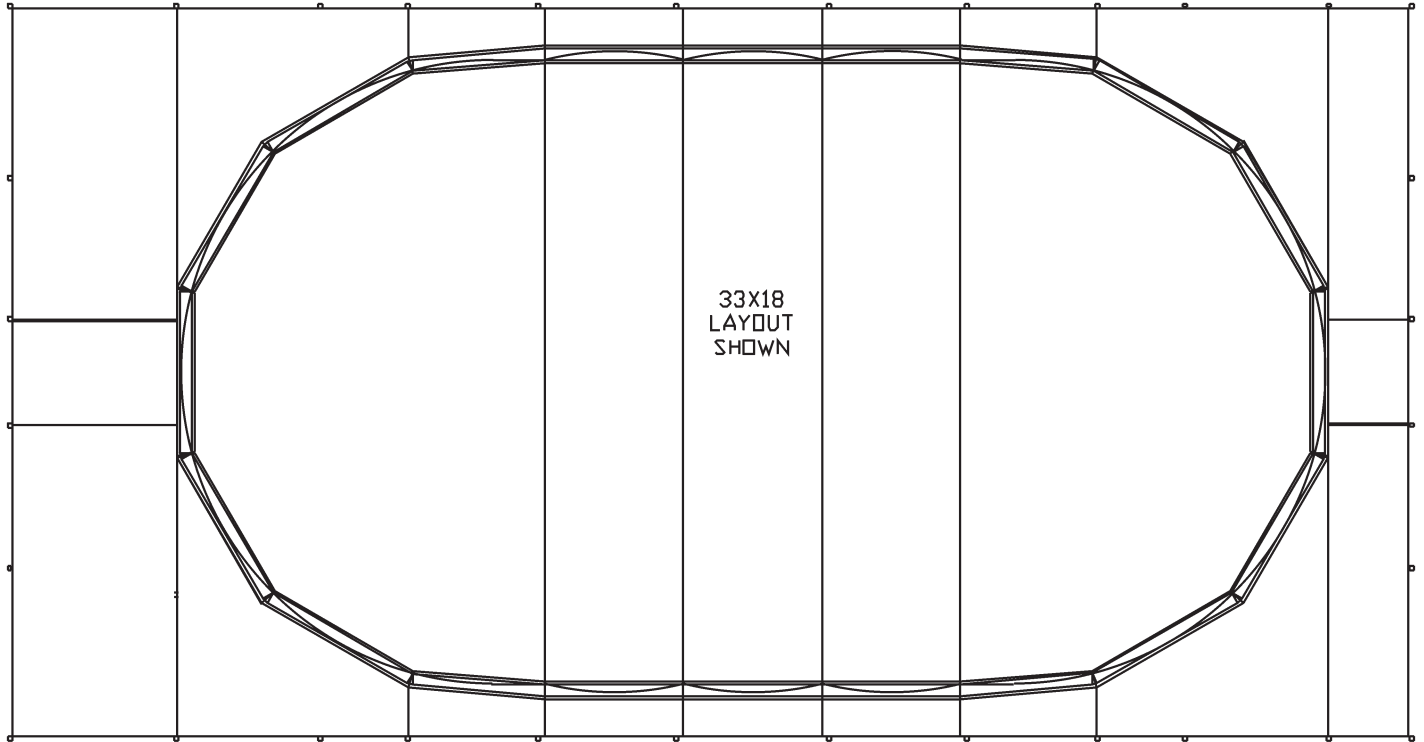
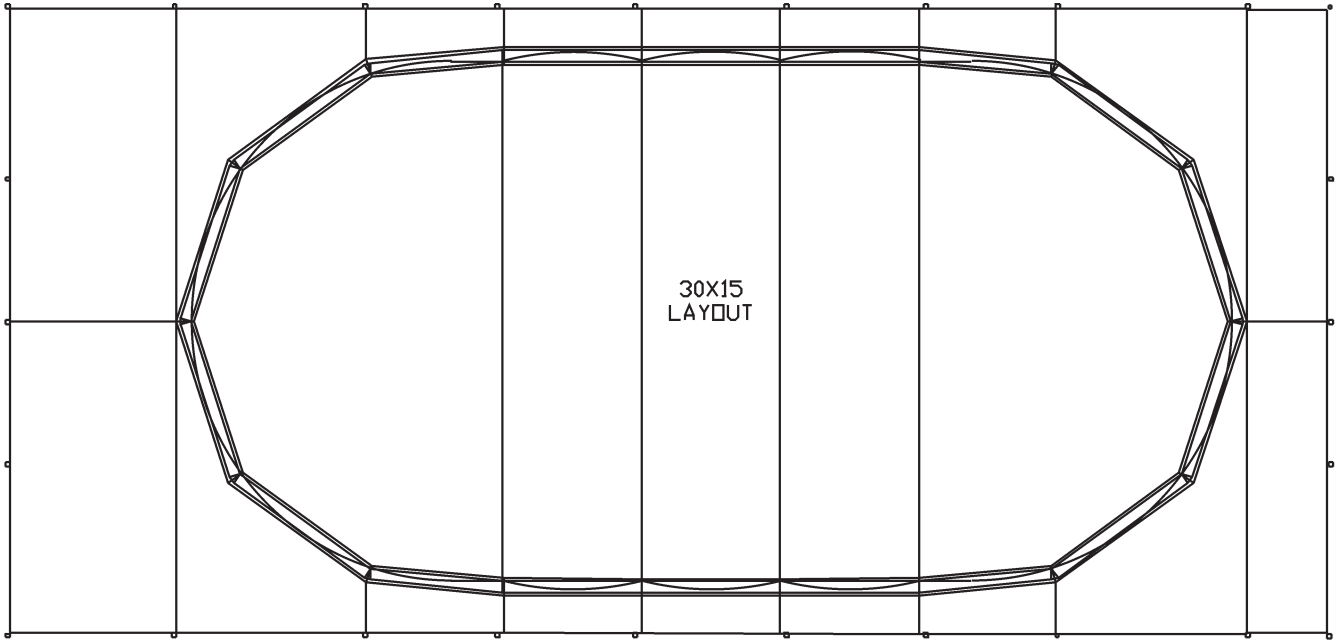


It is critical that the center to center distance of the buttress or verticals on the straight side of your pool be exactly 48".

Also the sides must be perfectly square to each other. Confirm this by diagonals measuring across the pool as shown. Both measurements should be equal.

ASSEMBLY DRAWING

Use the drawing below for reference while assembling your deck.



1

Clear out and level the ground in the location where your deck is to be installed.

2

FENCE BRACKET INSTALLATION

Before assembling your pool, attach two Fence Post Brackets to each Vertical/Buttress at the locations marked below.

Use the 1/4 x 20 x 3/4" Screws and Washers and Hex Nuts provided as shown below. Fasten securely.

If your pool is already filled with water it will be necessary for you to lower the water level to 2' deep in order to assemble the Fence Post Brackets to the pool.

If the Verticals/Buttresses do not have holes to attach the Post Brackets, simply place the bracket 3" from the top of the Vertical or 2 1/4" from the top of the buttress. Then using the Post Bracket as a template drill through the Vertical using a 5/16" drill bit.

You may now assemble your pool.

Assemble your pool so that the Verticals to which you attached the Fence Post Brackets are located in the area you want the "Walk Around" deck sections.

You must be very careful to assemble your pool in a way that will correctly position your deck upon completion.

Refer to drawing on previous page.

Take this into account when you place your pools Verticals.

Do not install the top ledges of your pool.

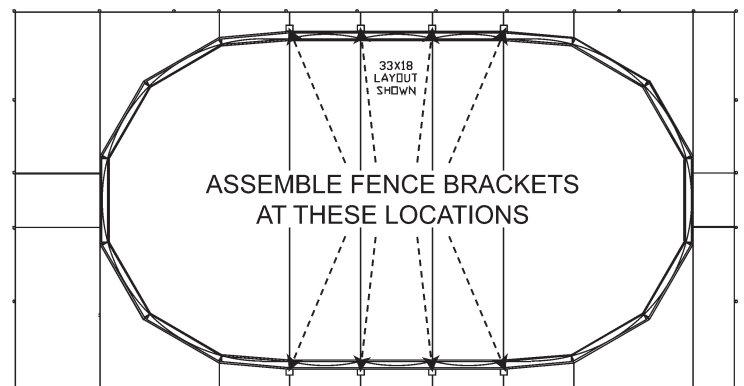
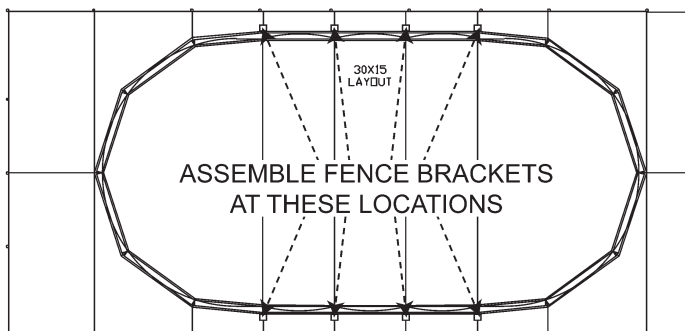
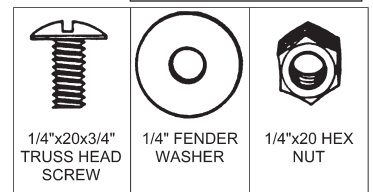
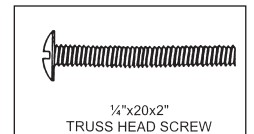
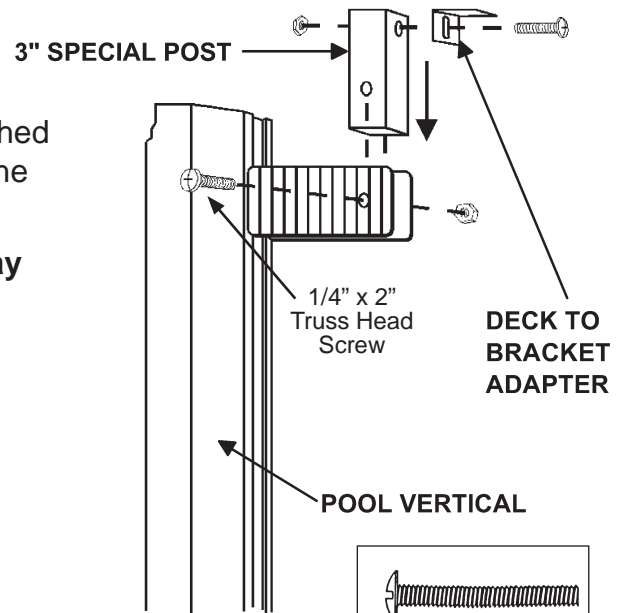
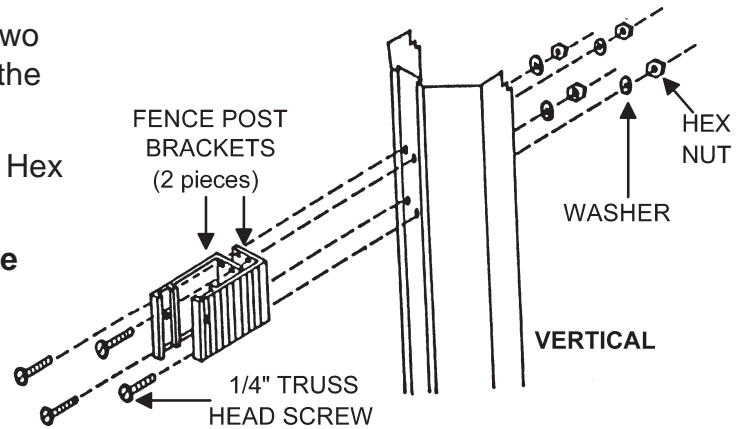
Your deck will be installed instead of the ledges.

If your pool is already assembled you must remove the top ledges.

As pictured at right, attach one 3" Special Post to each of the pool Verticals having the Fence Post Brackets.

Use 2" Truss Head Screws and Hex Nuts. Tighten securely.

Attach one Deck To Bracket Adapter securely to each 3" Special Post as illustrated at right using one 2" Truss Head Screw and Hex Nut.

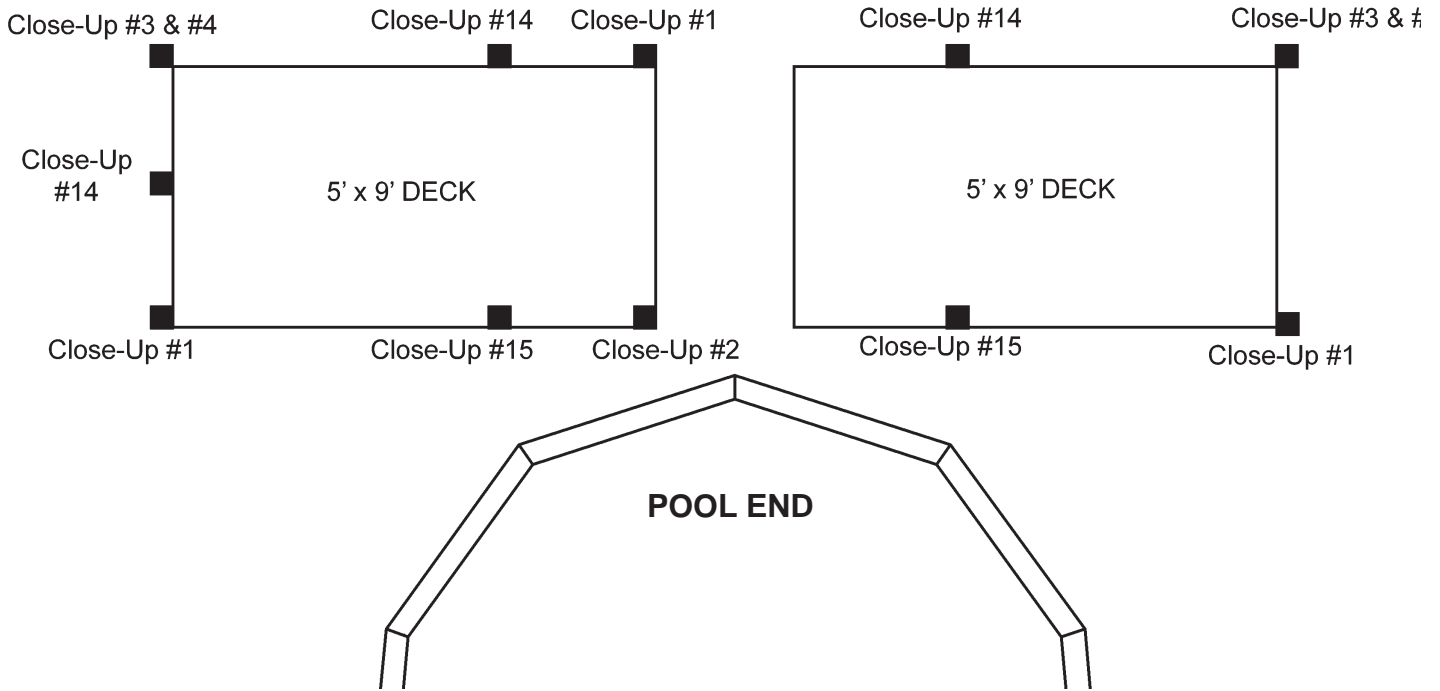


3

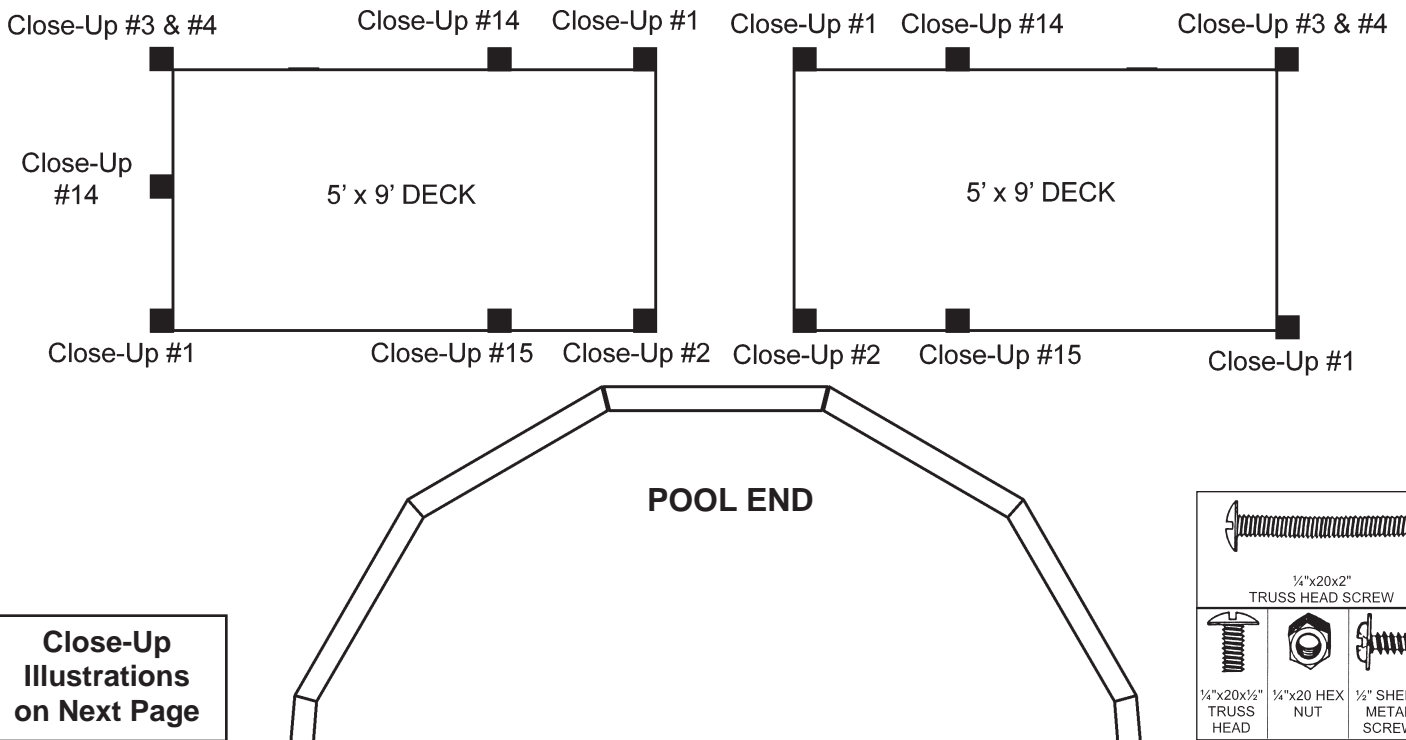
IMPORTANT: ONLY HAND TIGHTEN SCREWS AT THIS TIME

Elevate both of your 5' x 9' Deck Patios using either patio blocks or saw horses. Place the decks in their approximate locations next to your pool in the manner illustrated below. Make sure that the decks are oriented so that the Posts will be in the locations indicated below when attached. Attach Posts to the locations indicated below. There are assembly Close-Up Illustrations on the next page to help you know how to attach the Post at each location. Each location indicates which of the Close-Up Illustrations to use.

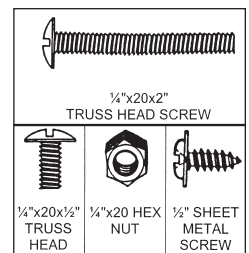
30' x 15' PROMENADE

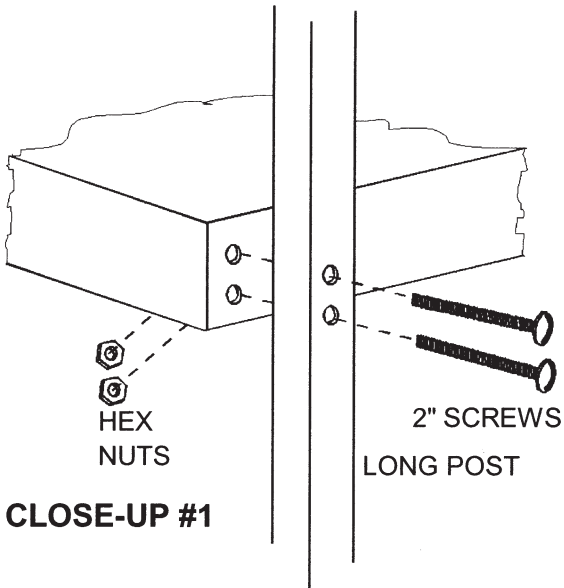


33' x 18' PROMENADE

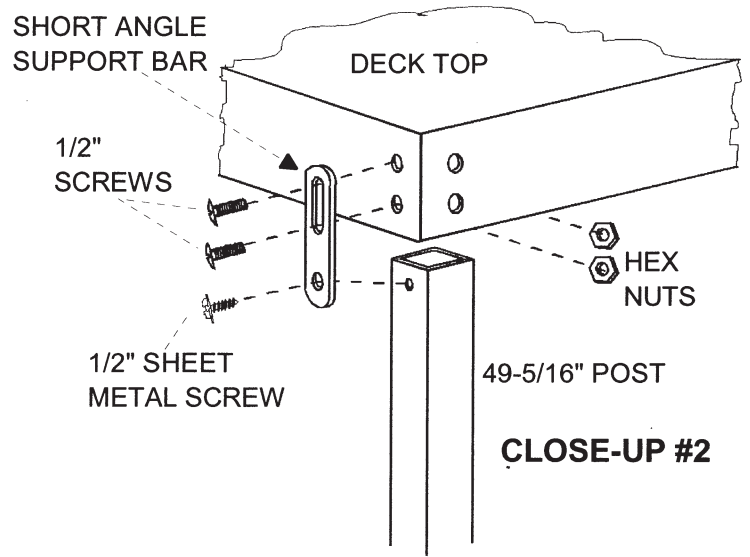


Close-Up Illustrations on Next Page

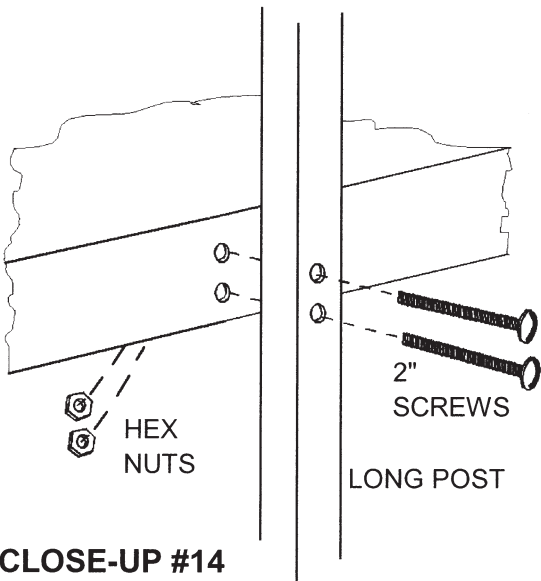
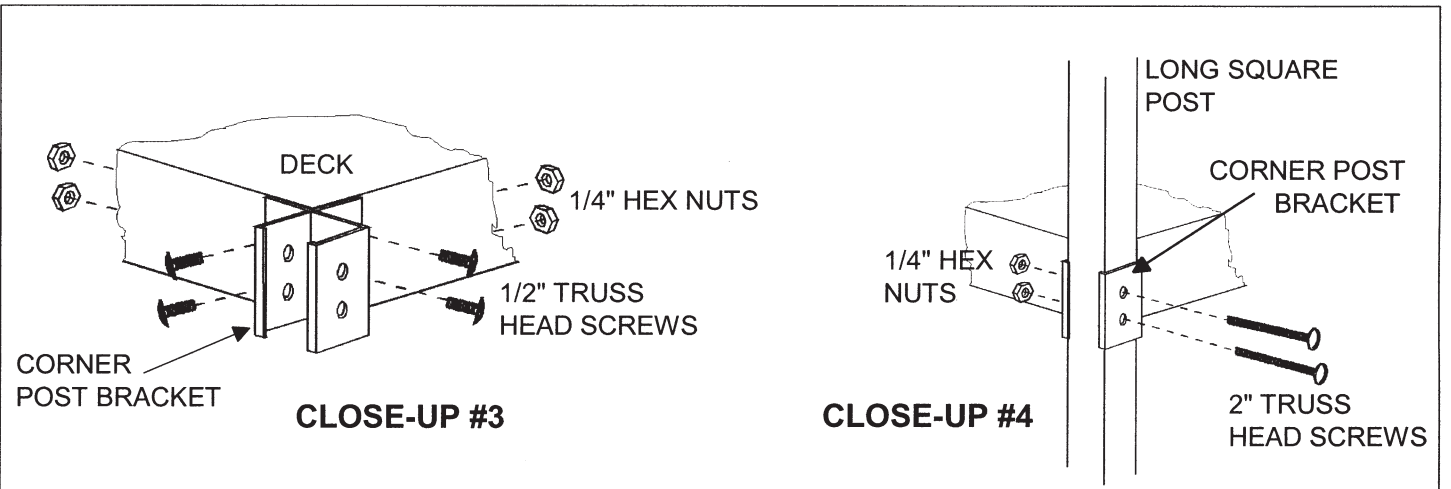




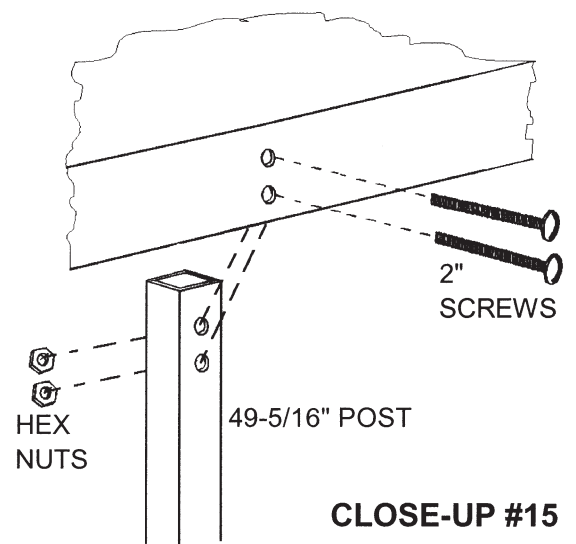
CLOSE-UP #1



CLOSE-UP #2



CLOSE-UP #14



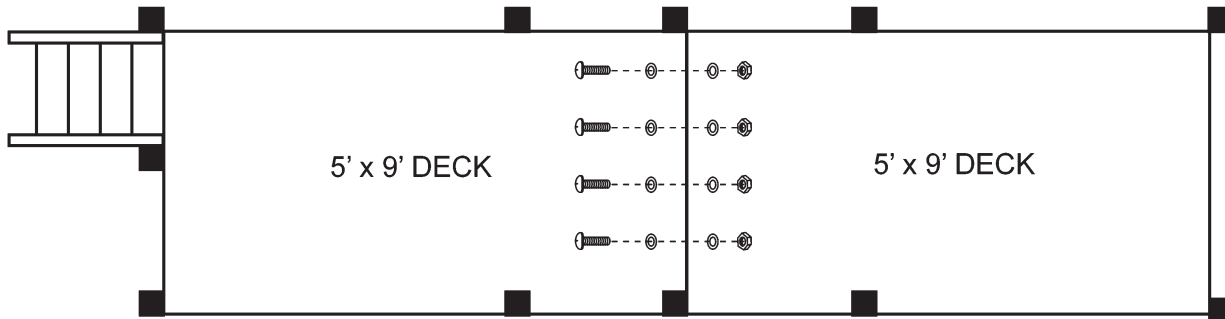
CLOSE-UP #15

4

IMPORTANT: ONLY HAND TIGHTEN SCREWS AT THIS TIME

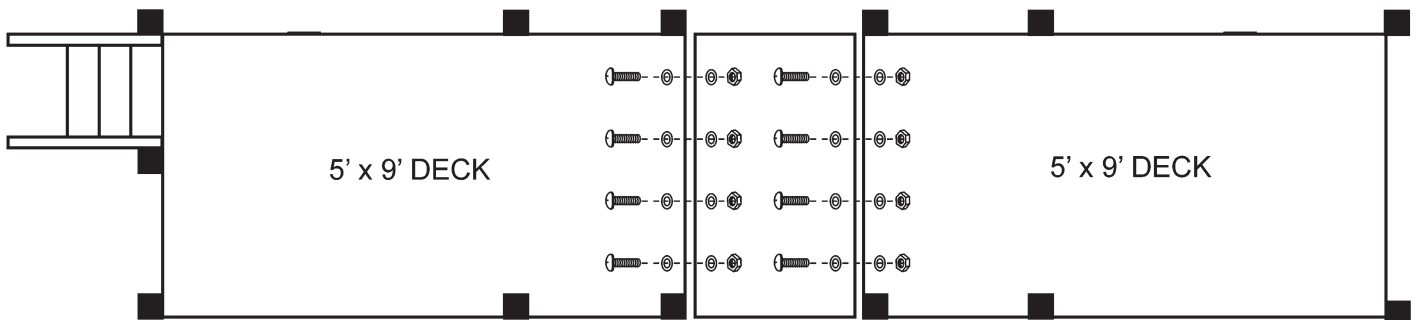
30' x 15' x 52"

Bolt both of the 5' x 9' Deck Patios together using the 1" Round Head Screws, Washers and Hex Nuts as shown. The Ladder is shown for display purposes only.



33' x 18' x 52"

Bolt the 3' x 5' Deck Patio together with the two (2) 5' x 9' Deck Patios using the 1" Round Head Screws, Washers and Hex Nuts as shown. The Ladder is shown for display purposes only.

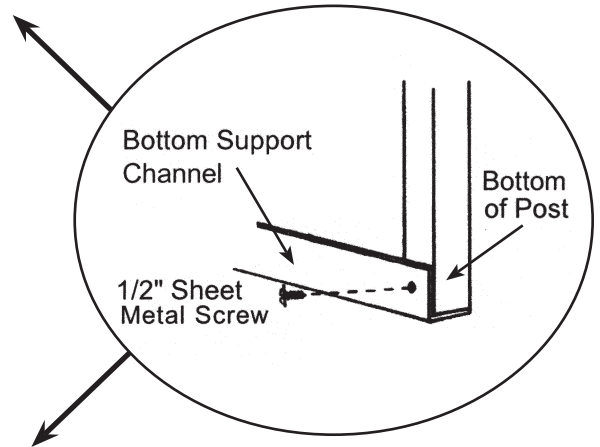
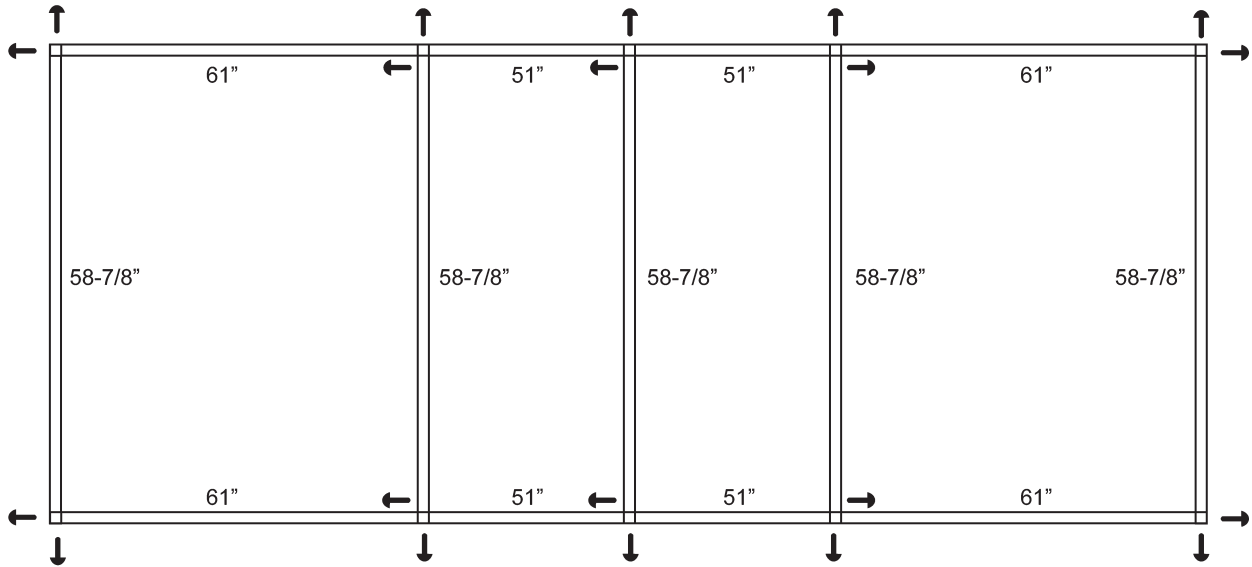


5

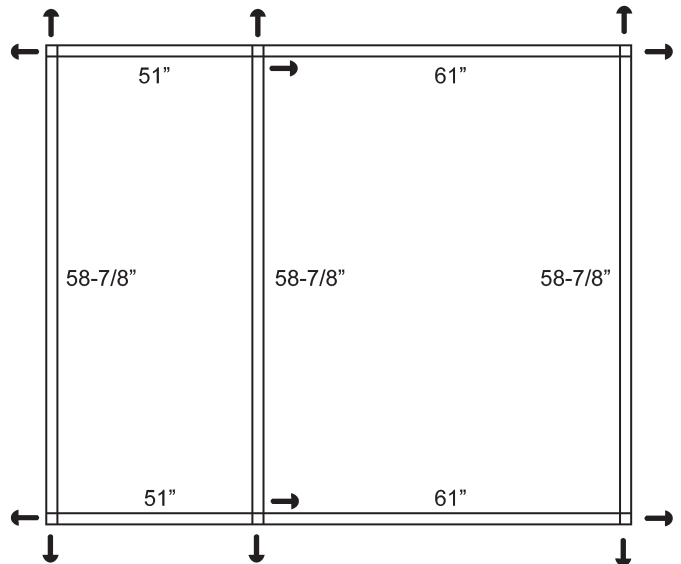
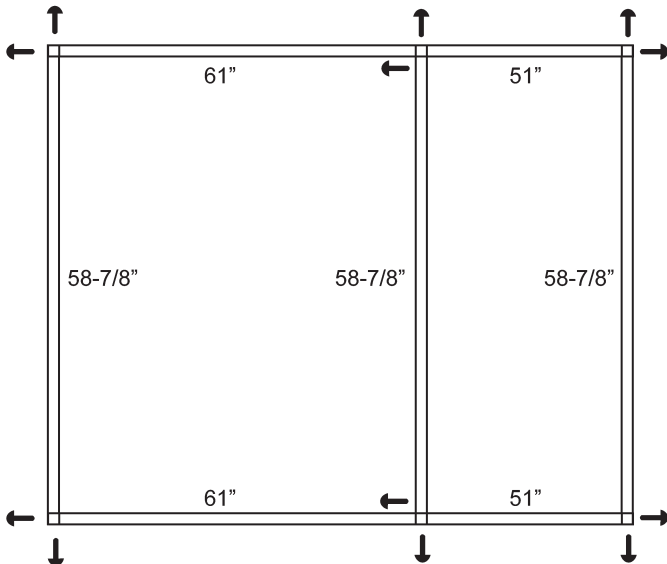
IMPORTANT: ONLY HAND TIGHTEN SCREWS AT THIS TIME

Attach the Bottom Support Channels (long "L" shaped pieces) to the bottoms of the Posts supporting the 5' x 9' Patios using #10 x 1/2" Sheet Metal Screws. The layout of the channels is shown below.

30' x 15' x 52"



33' x 18' x 52"

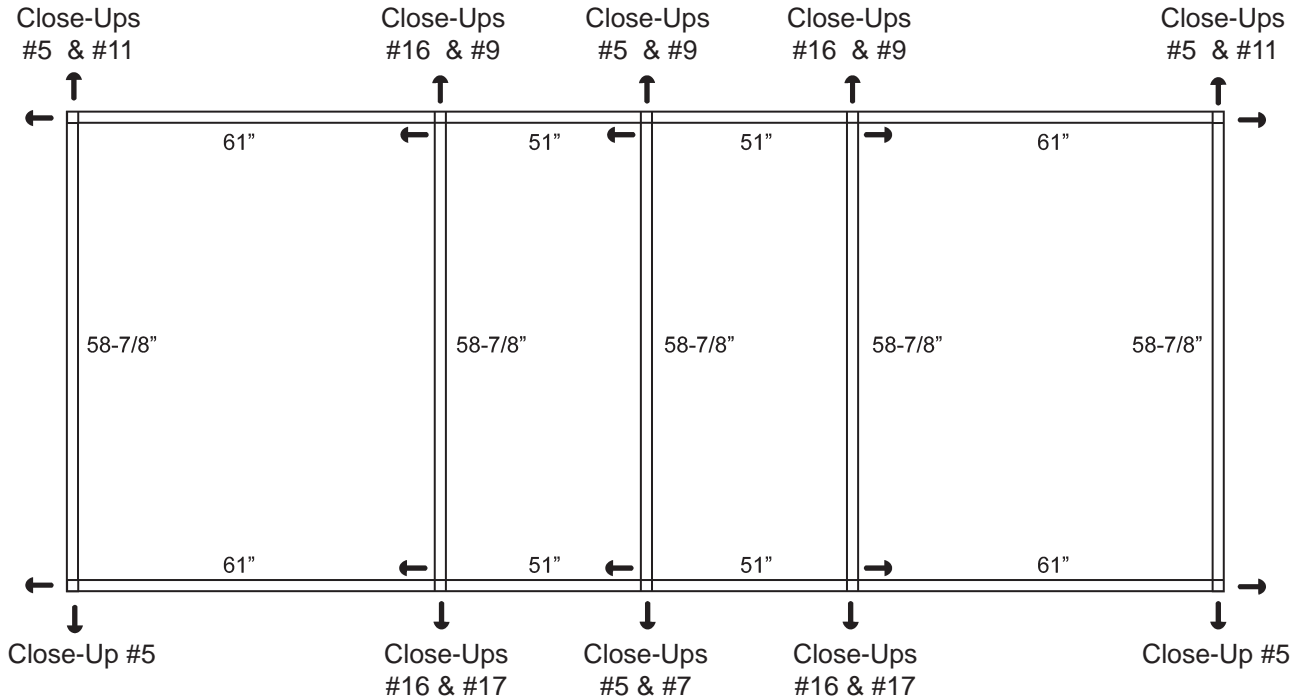


6

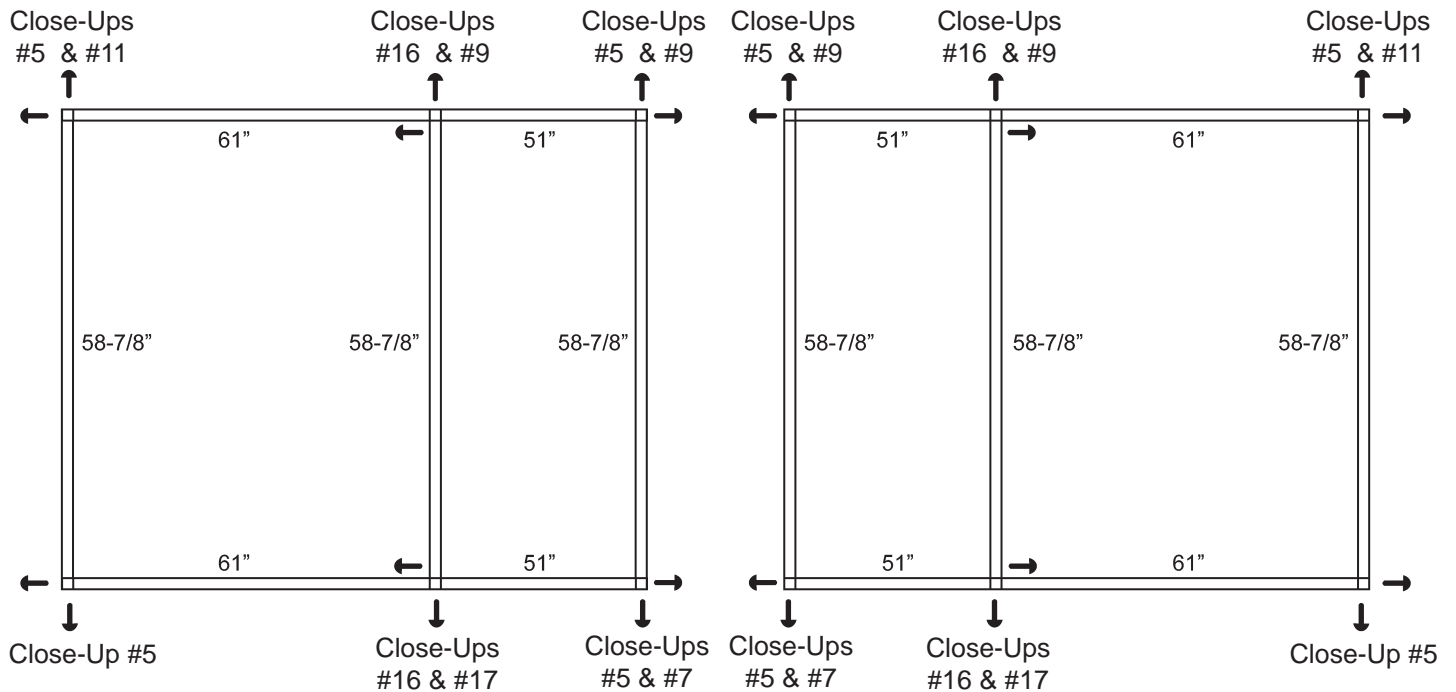
IMPORTANT: ONLY HAND TIGHTEN SCREWS AT THIS TIME

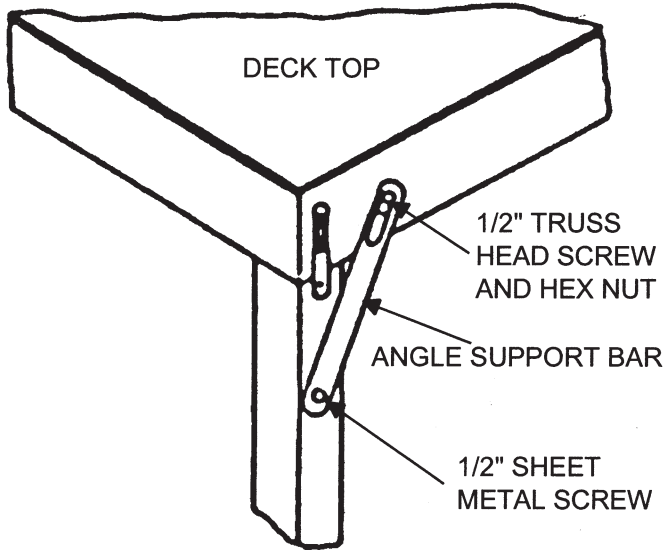
Attach Angle Support Bars to the bottom and top of every Post. There are assembly Close-Up Illustrations on the next page to help you know how to attach the Angle Support Bars at each Post location. Note carefully the position of the slots in the Angle Support Bars. The diagram below indicates which of the Close-Up Illustrations to use for each location. Again, only hand tighten screws at this time.

30' x 15'

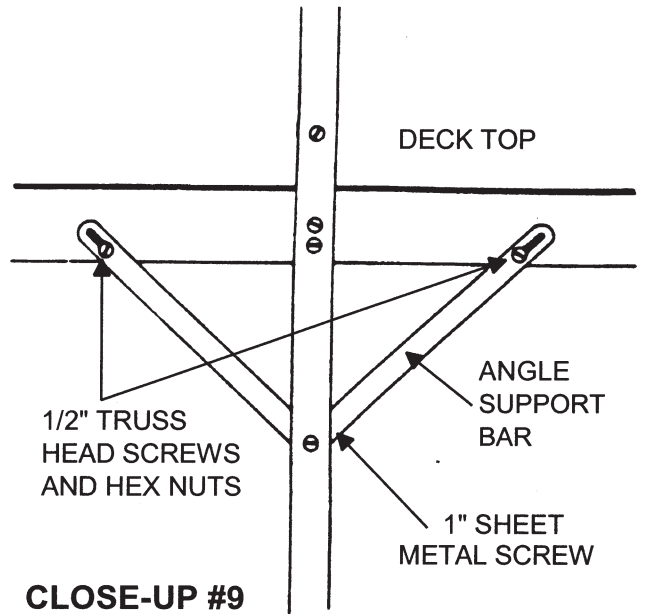


33' x 18'

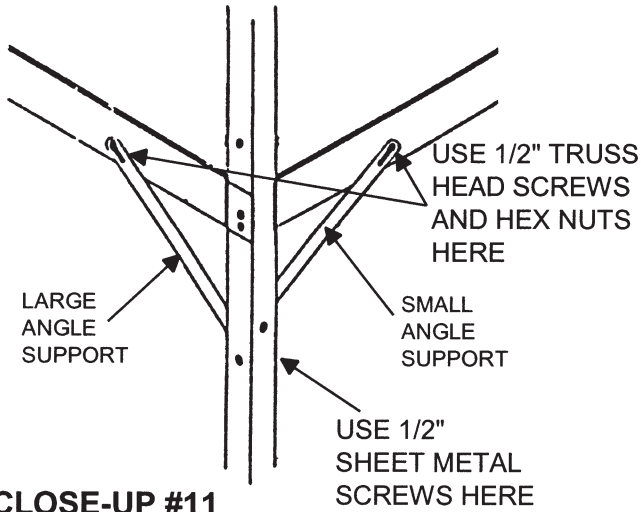




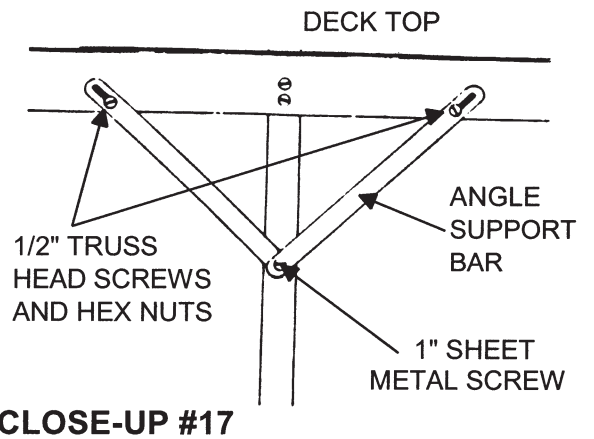
CLOSE-UP #7



CLOSE-UP #9

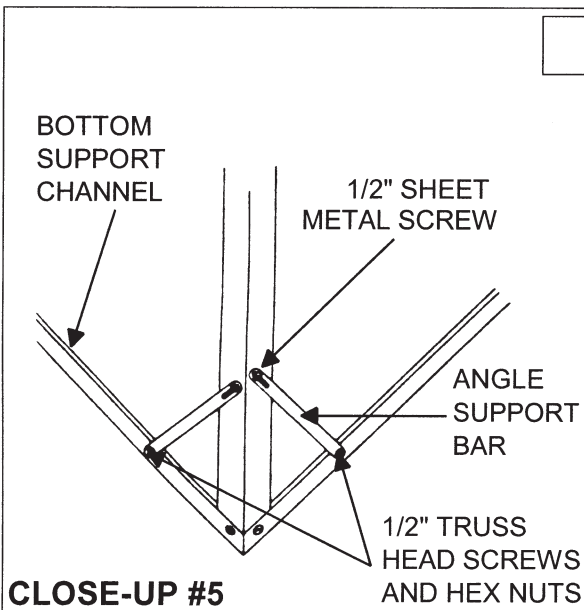


CLOSE-UP #11

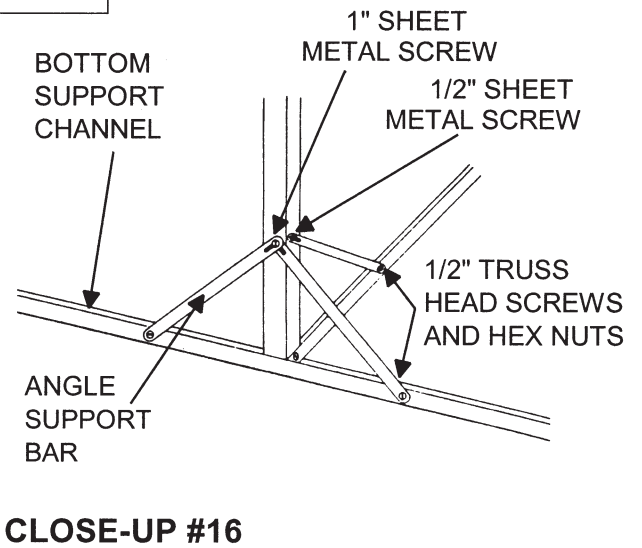


CLOSE-UP #17

POST BOTTOM



CLOSE-UP #5



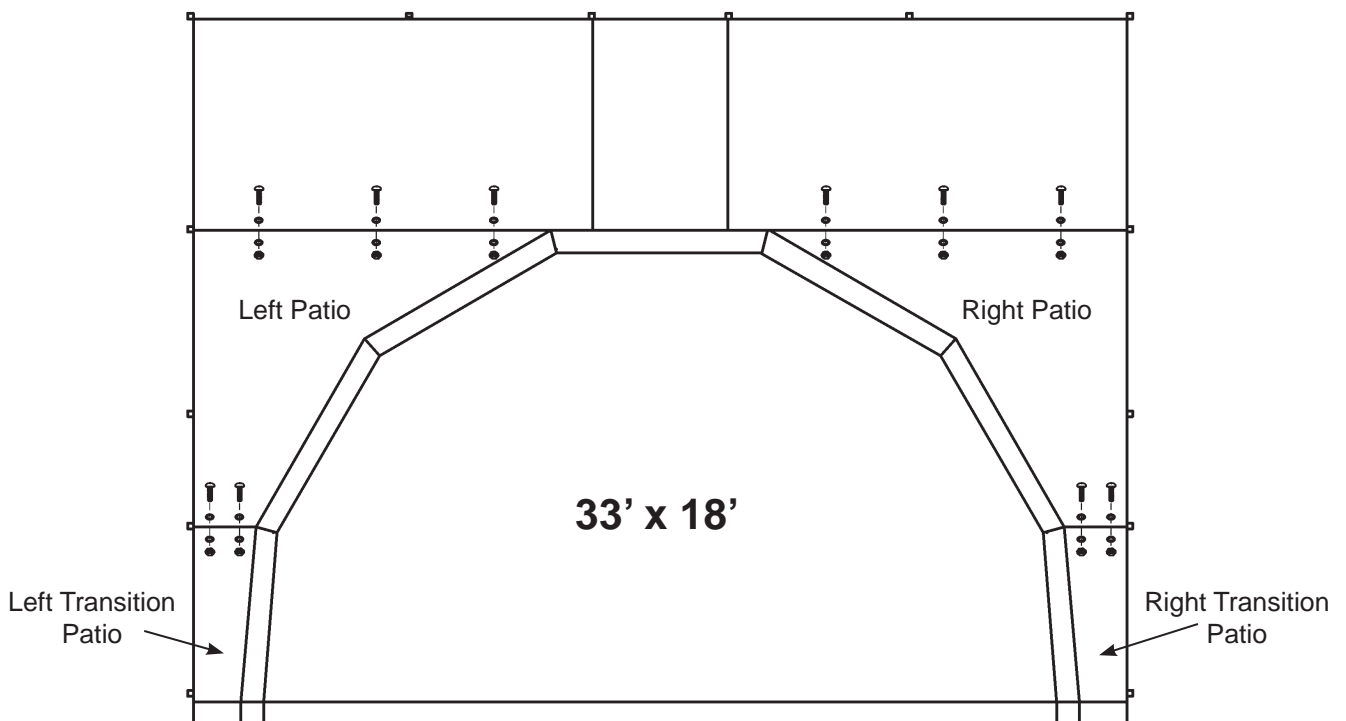
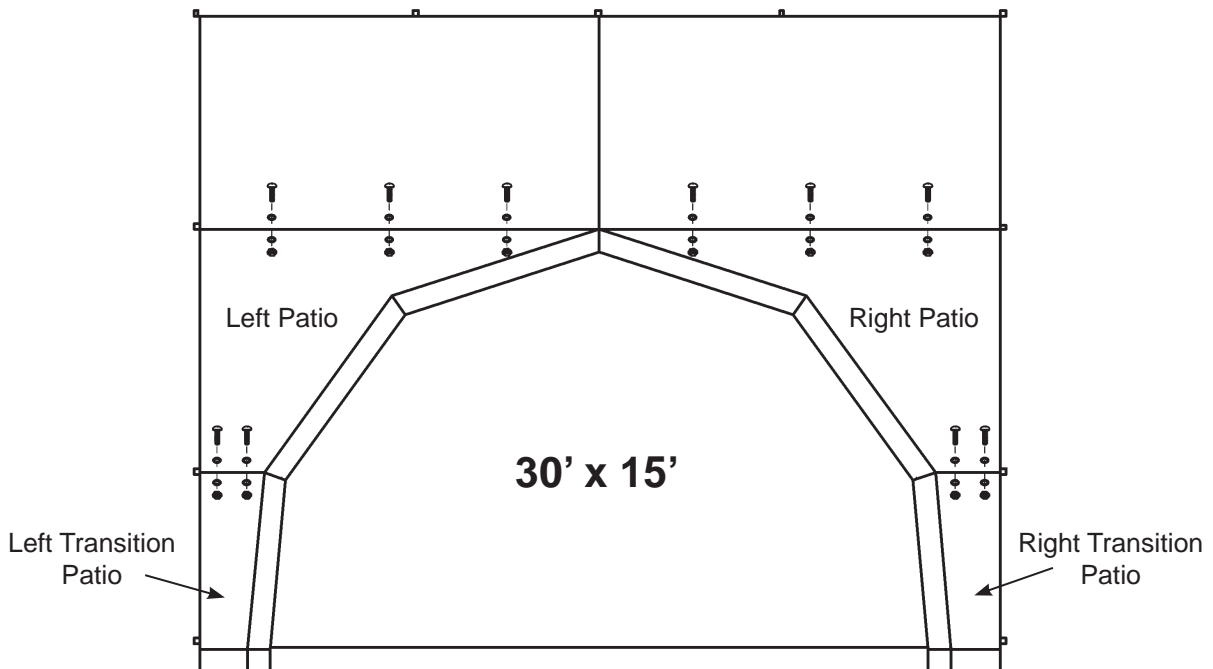
CLOSE-UP #16

7

IMPORTANT: ONLY HAND TIGHTEN SCREWS AT THIS TIME

Elevate the Left Patio and Right Patio using either patio blocks or saw horses. Place the decks in their approximate locations next to your pool in the manner illustrated below. Make sure that the decks are oriented as indicated below. Bolt the Left Patio and Right Patio to the already assembled 5' x 9' Decks using the three (3) 1" Round Head Screws, six (6) Washers and three (3) Hex Nuts each as shown.

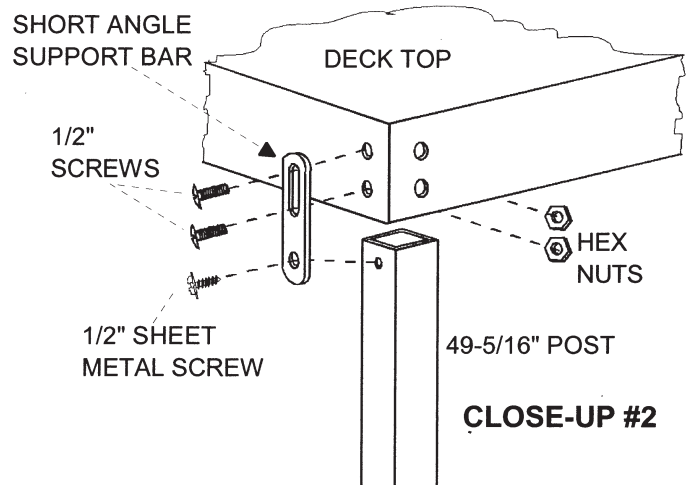
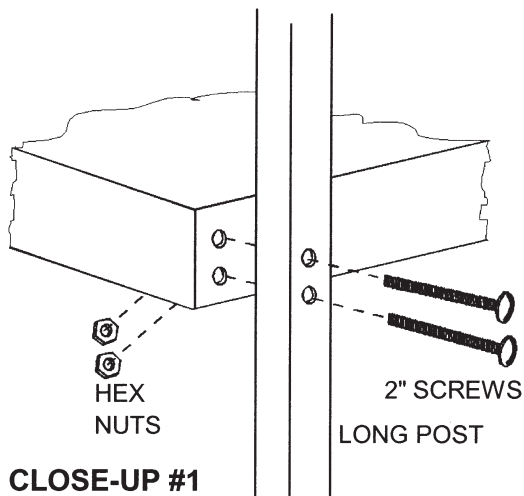
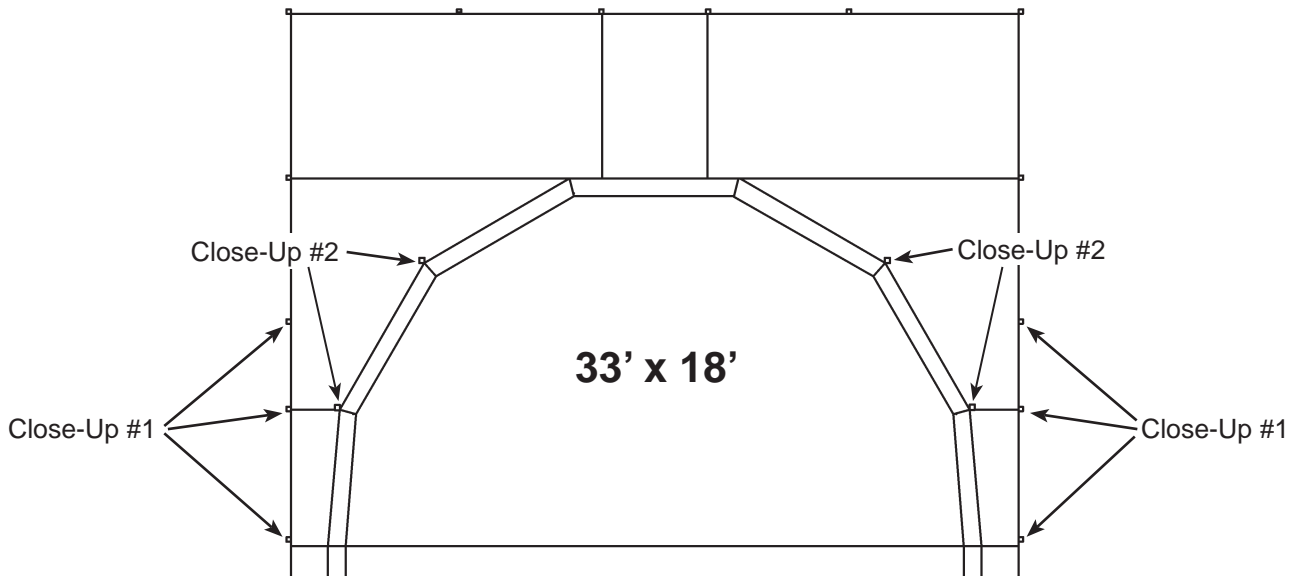
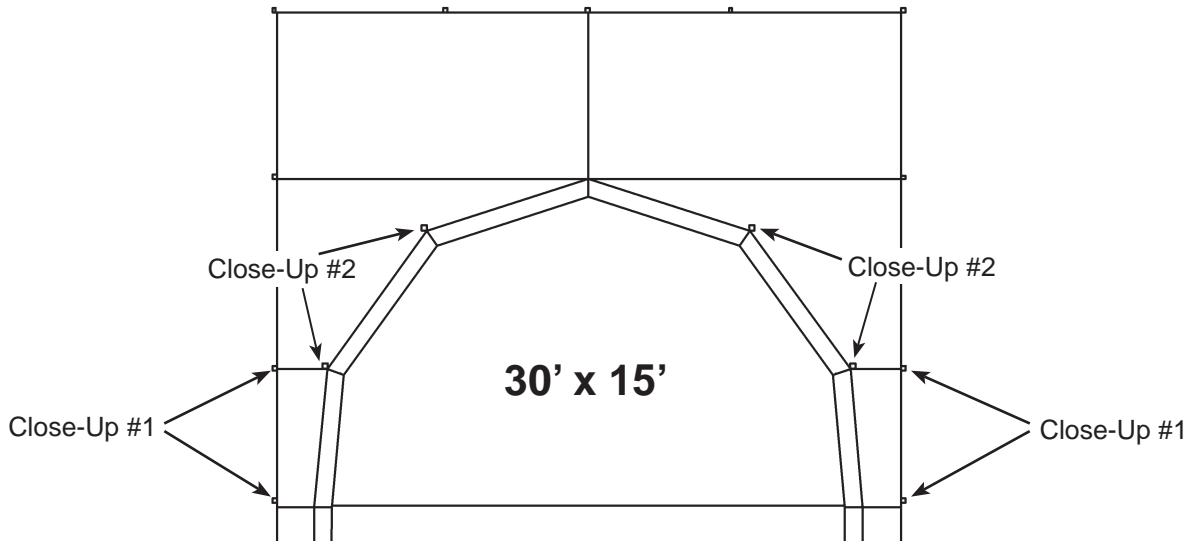
Then build the left and right transition patio using two (2) 1" Round Head Screws, four (4) Washers and two (2) Hex Nuts each as shown.



8

IMPORTANT: ONLY HAND TIGHTEN SCREWS AT THIS TIME

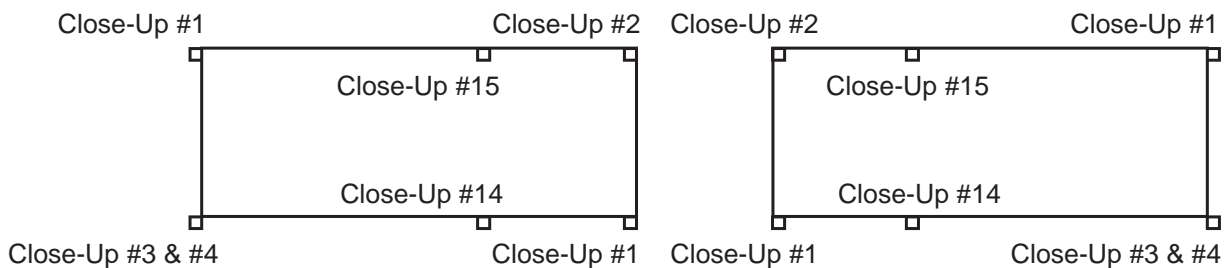
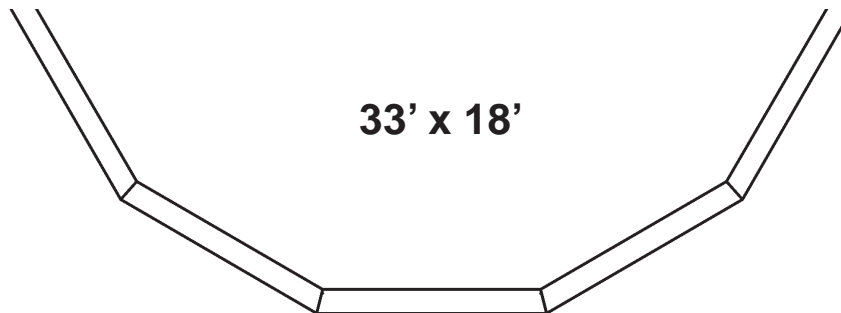
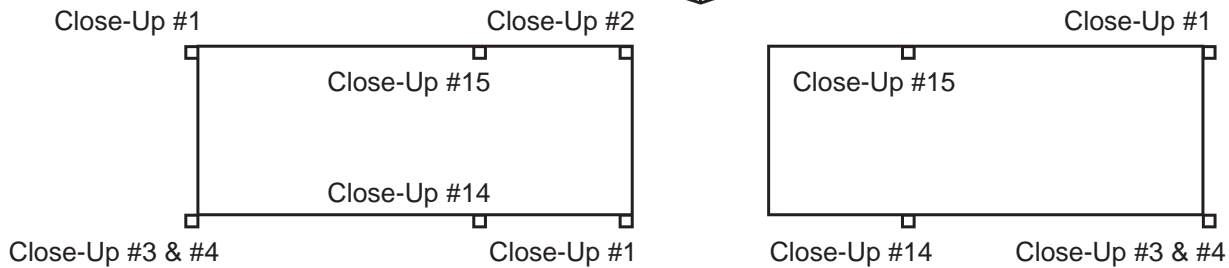
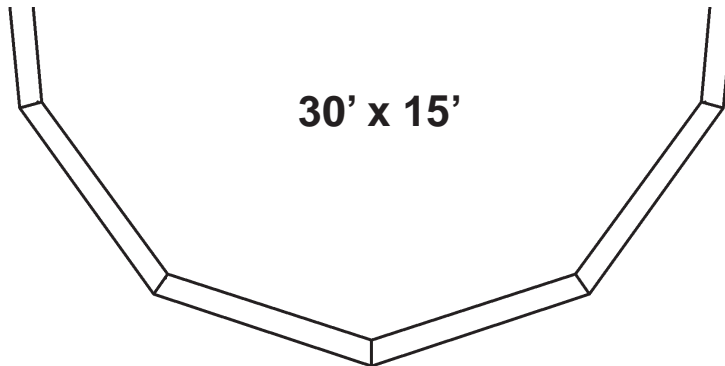
Attach Posts to the Left Patio and Right Patio in the locations indicated below. There are assembly Close-Up Illustrations on the bottom of the page to help you know how to attach the Post at each location. Each location indicates which of the Close-Up Illustrations to use.



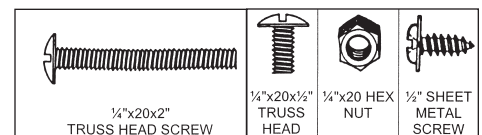
9

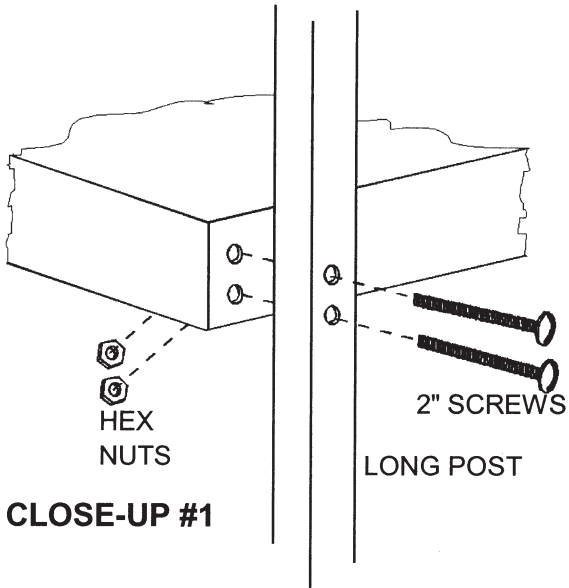
IMPORTANT: ONLY HAND TIGHTEN SCREWS AT THIS TIME

At the other end of your pool, elevate both of the 2½' x 9' Deck Patios using either patio blocks or saw horses. Place the decks in their approximate locations next to your pool in the manner illustrated below. Make sure that the decks are oriented so that the Posts will be in the locations indicated below when attached. Attach Posts to the locations indicated below. There are assembly Close-Up Illustrations on the next page to help you know how to attach the Post at each location. Each location indicates which of the Close-Up Illustrations to use.

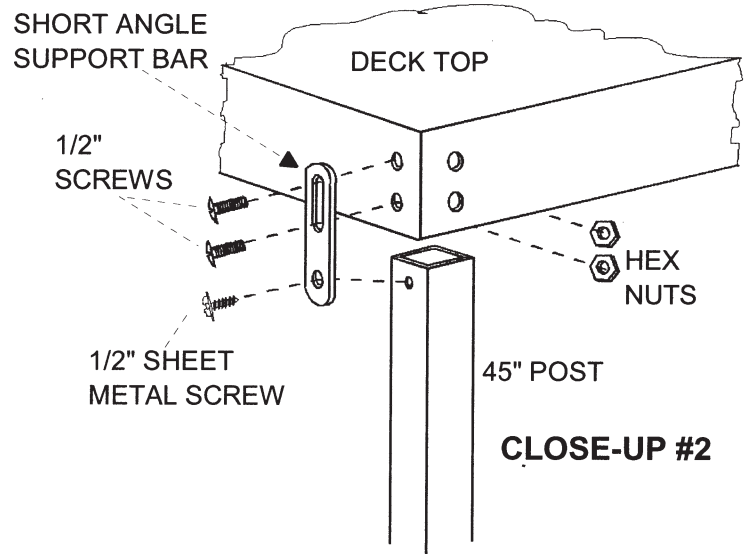


**Close-Up
Illustrations
on Next Page**

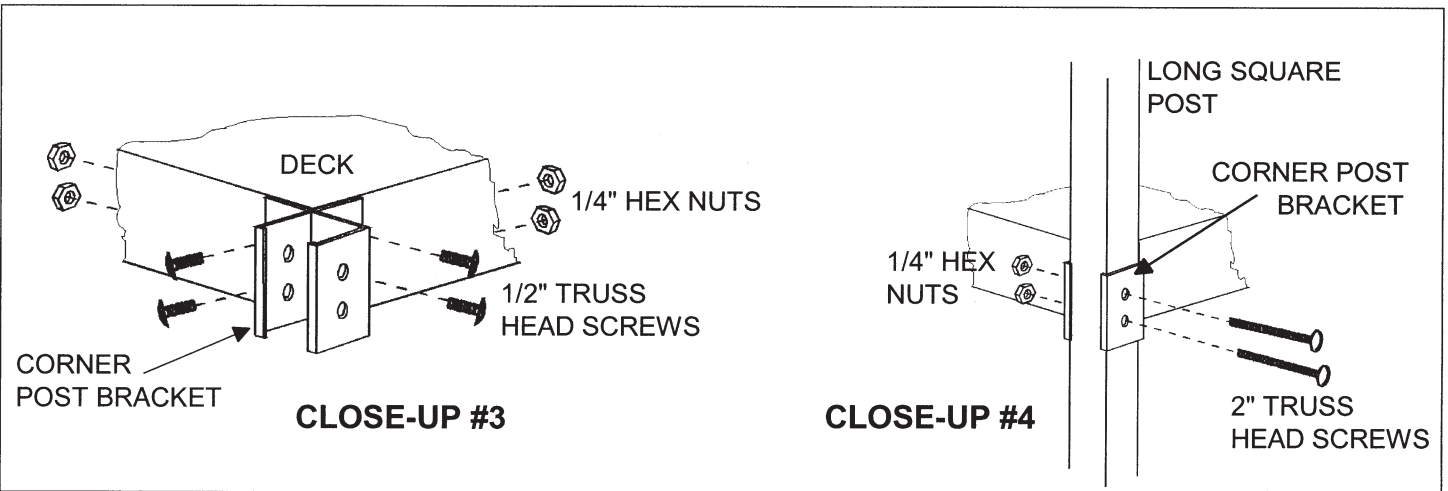




CLOSE-UP #1

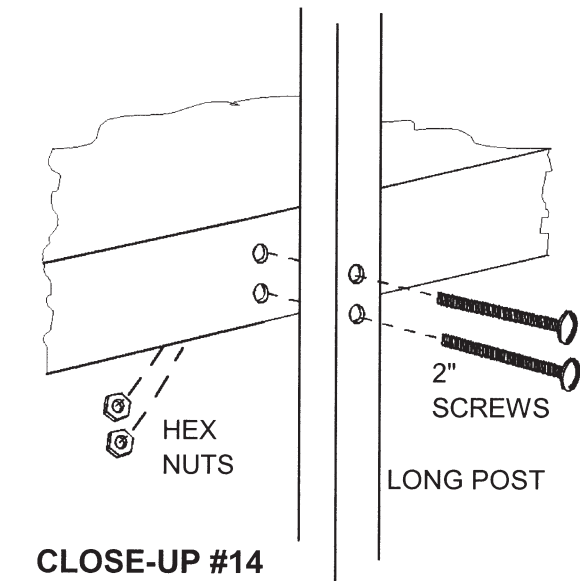


CLOSE-UP #2

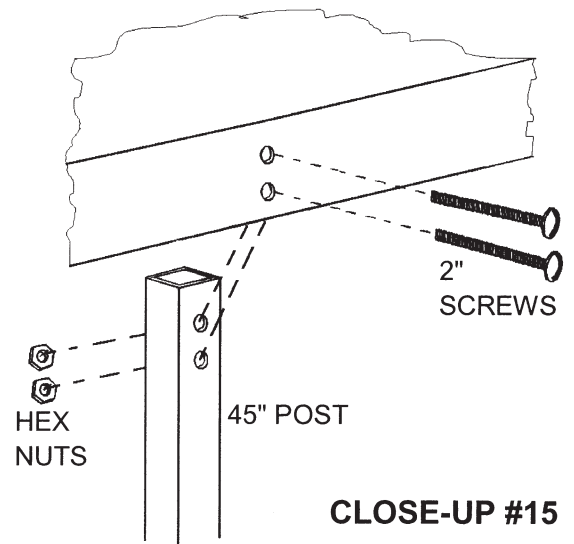


CLOSE-UP #3

CLOSE-UP #4



CLOSE-UP #14



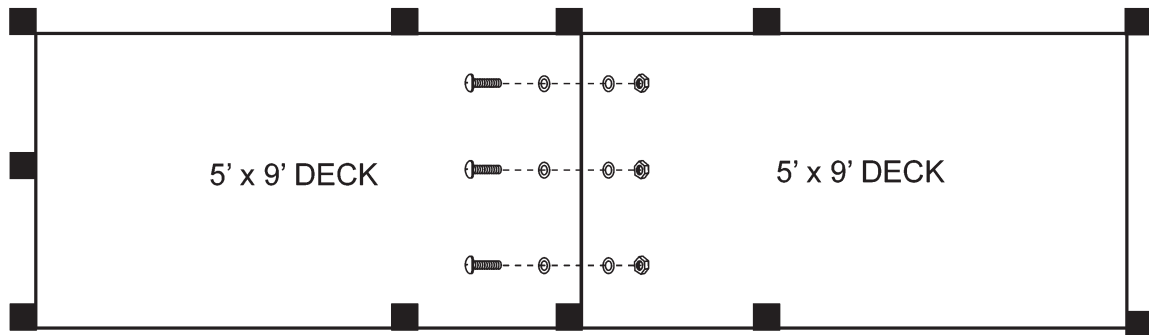
CLOSE-UP #15

10

IMPORTANT: ONLY HAND TIGHTEN SCREWS AT THIS TIME

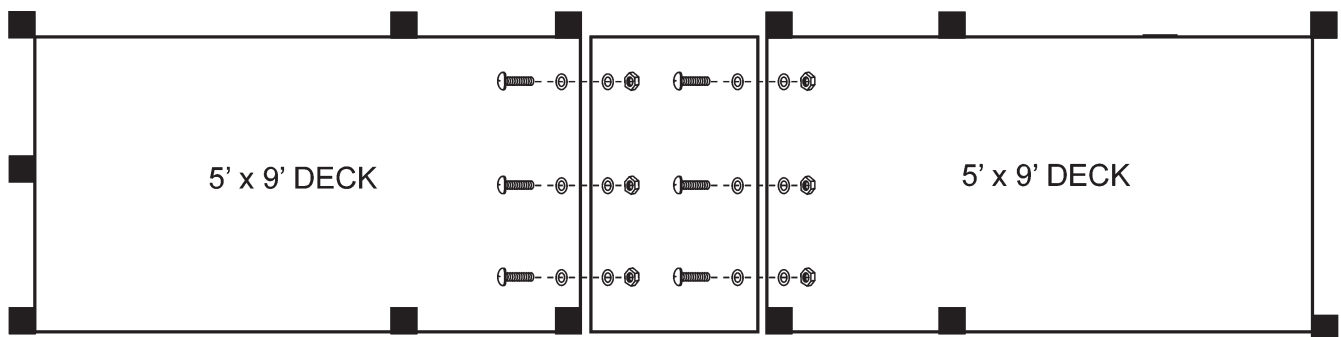
30' x 15' x 52"

Bolt both of the 2½' x 9' Deck Patios together using the 1" Round Head Screws, Washers and Hex Nuts as shown.



33' x 18' x 52"

Bolt the 2½' x 5' Deck Patio together with the two (2) 2½' x 9' Deck Patios using the 1" Round Head Screws, Washers and Hex Nuts as shown. The Ladder is shown for display purposes only.

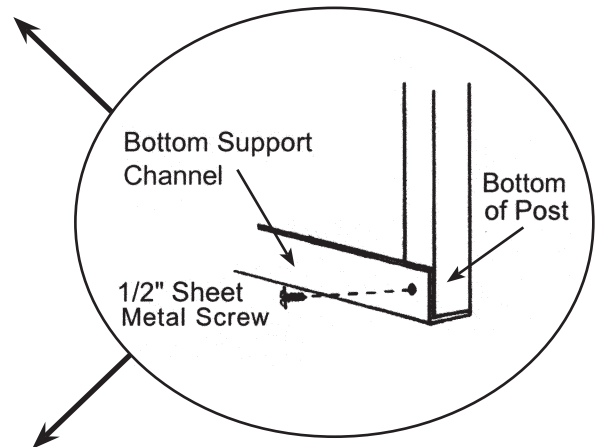
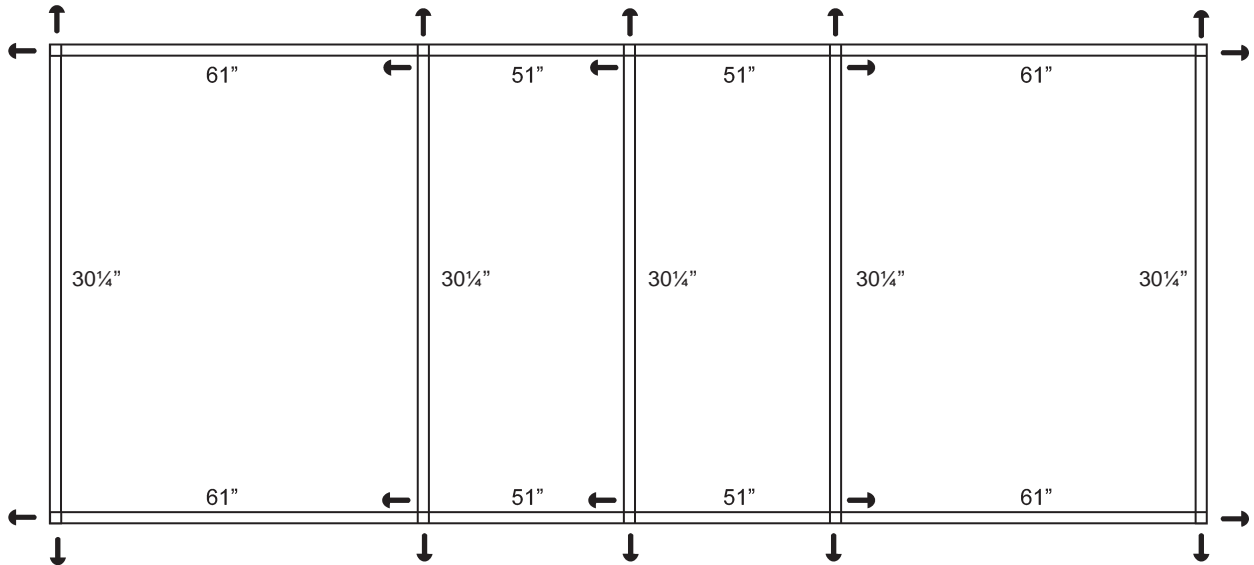


11

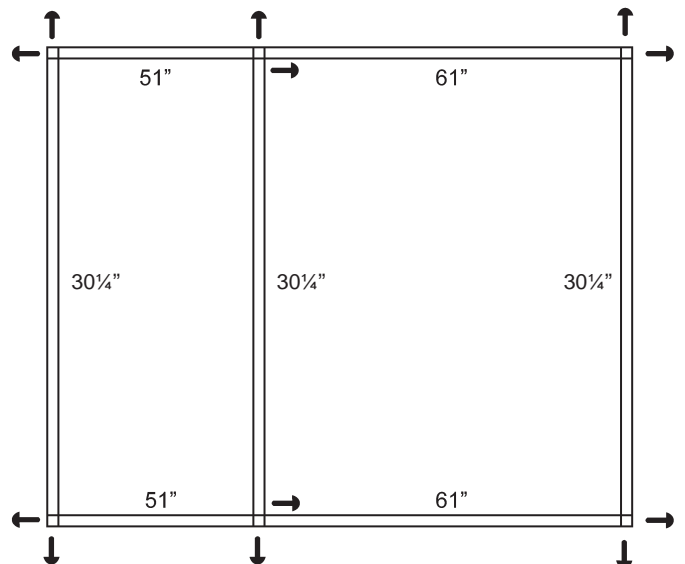
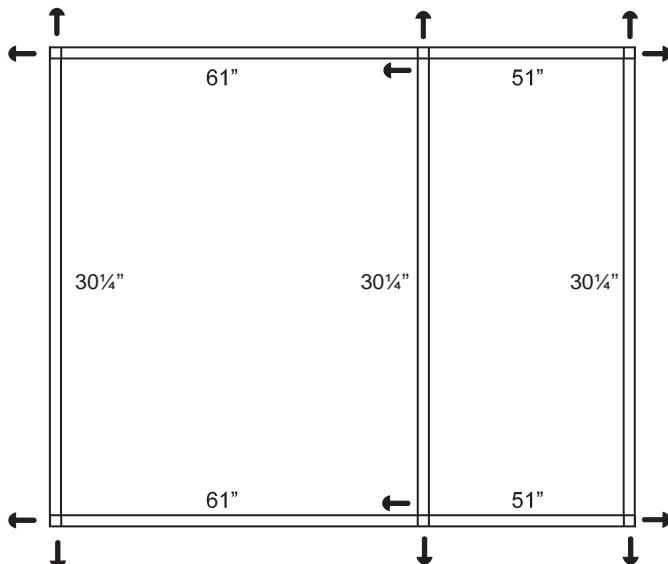
IMPORTANT: ONLY HAND TIGHTEN SCREWS AT THIS TIME

Attach the Bottom Support Channels (long "L" shaped pieces) to the bottoms of the Posts supporting the 5' x 9' Patios using #10 x 1/2" Sheet Metal Screws. The layout of the channels is shown below.

30' x 15' x 52"



33' x 18' x 52"

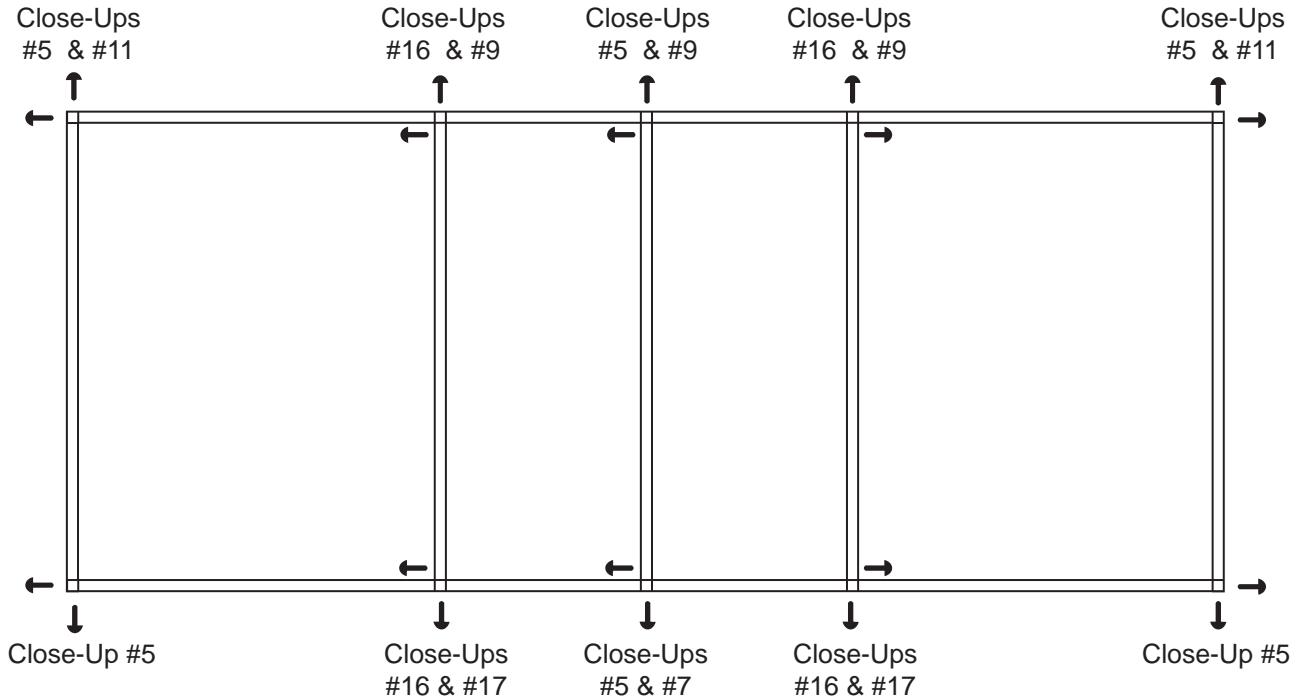


12

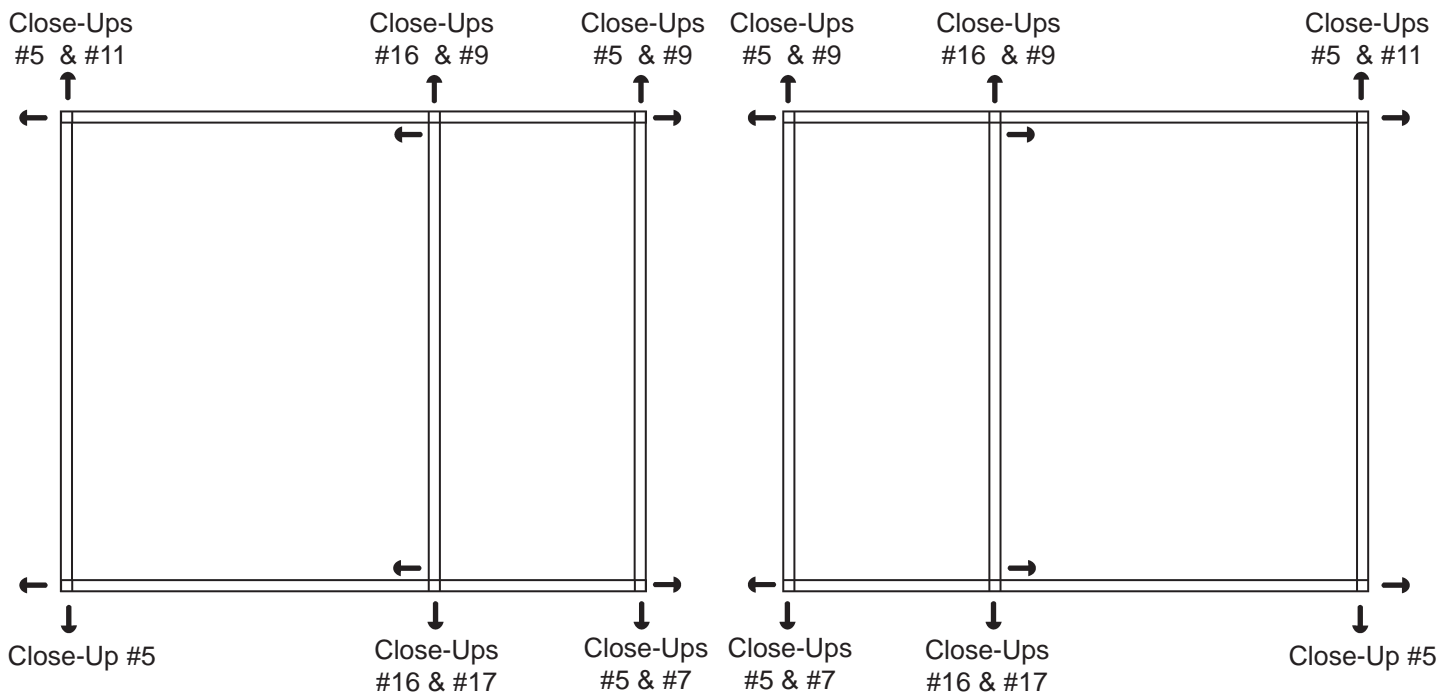
IMPORTANT: ONLY HAND TIGHTEN SCREWS AT THIS TIME

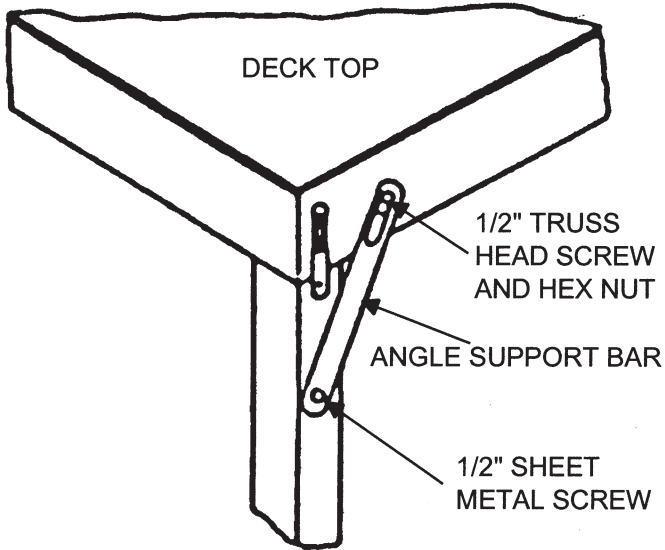
Attach Angle Support Bars to the bottom and top of every Post. There are assembly Close-Up Illustrations on the next page to help you know how to attach the Angle Support Bars at each Post location. Note carefully the position of the slots in the Angle Support Bars. The diagram below indicates which of the Close-Up Illustrations to use for each location. Again, only hand tighten screws at this time.

30' x 15'

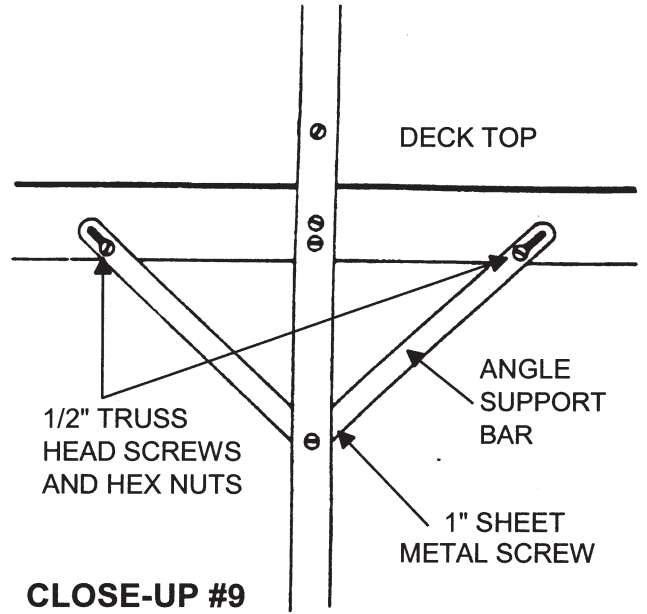


33' x 18'

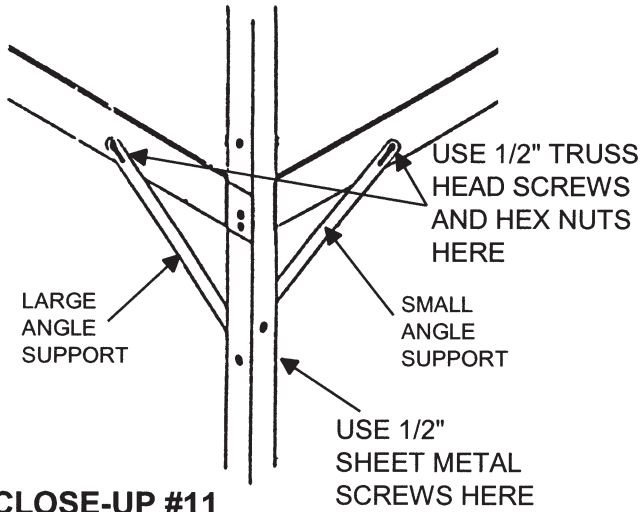




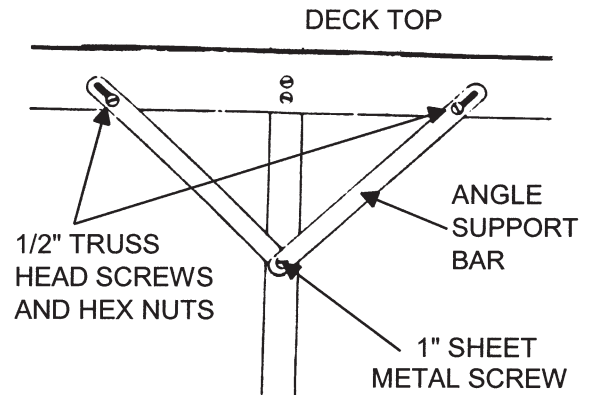
CLOSE-UP #7



CLOSE-UP #9

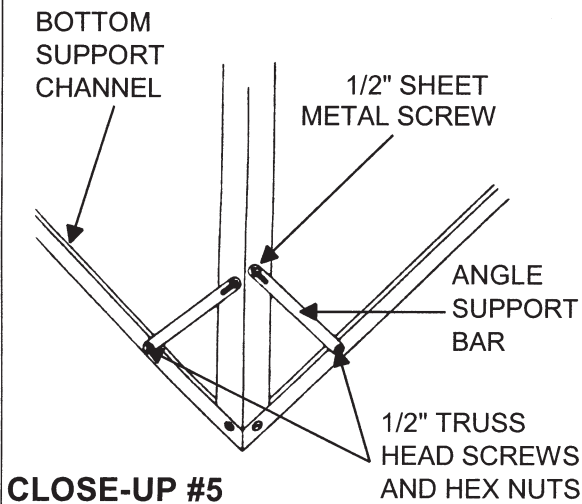


CLOSE-UP #11

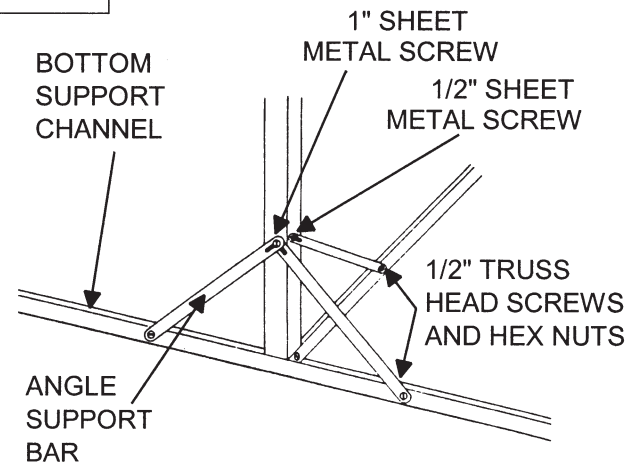


CLOSE-UP #17

POST BOTTOM



CLOSE-UP #5



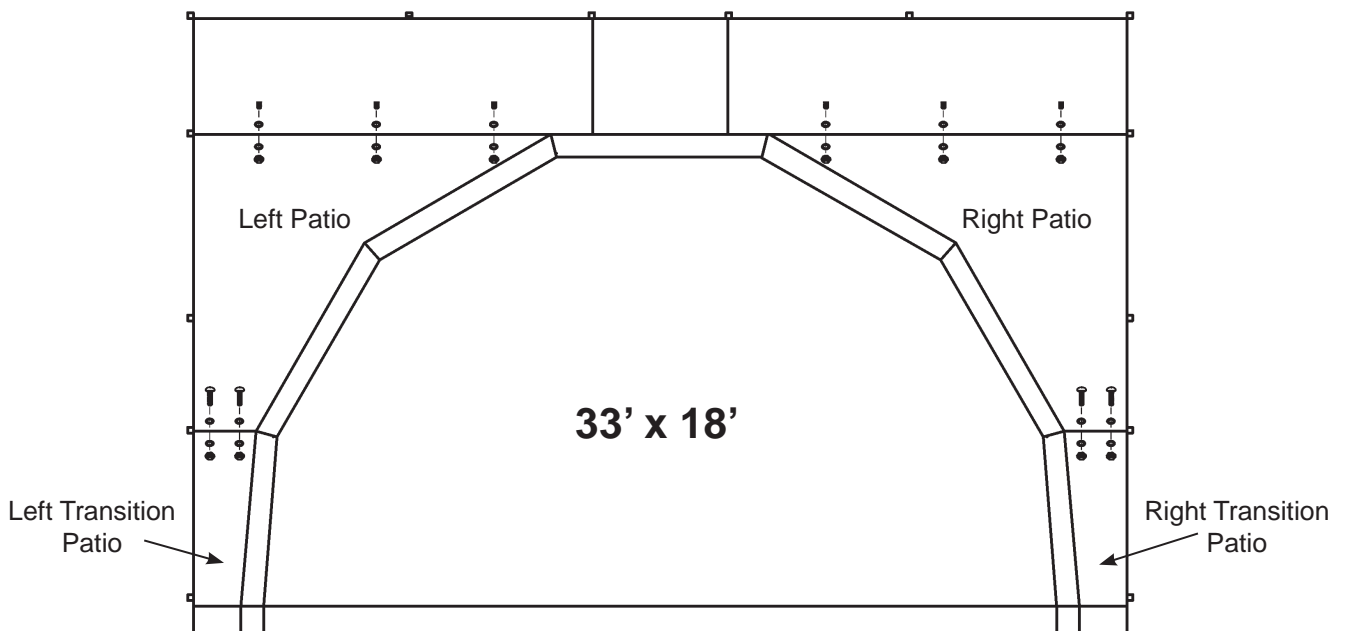
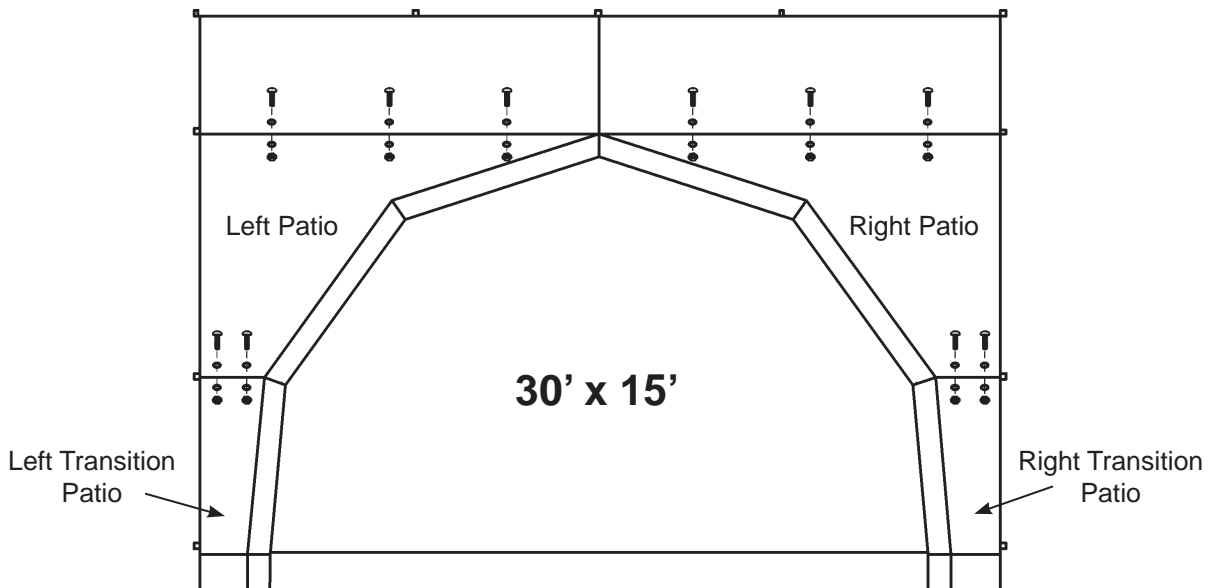
CLOSE-UP #16

13

IMPORTANT: ONLY HAND TIGHTEN SCREWS AT THIS TIME

Elevate the Left Patio and Right Patio using either patio blocks or saw horses. Place the decks in their approximate locations next to your pool in the manner illustrated below. Make sure that the decks are oriented as indicated below. Bolt the Left Patio and Right Patio to the already assembled $2\frac{1}{2}' \times 9'$ Decks using the three (3) 1" Round Head Screws, six (6) Washers and three (3) Hex Nuts as shown.

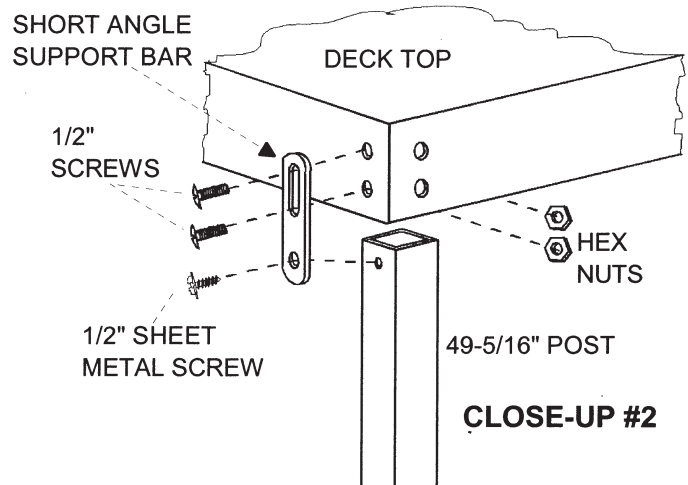
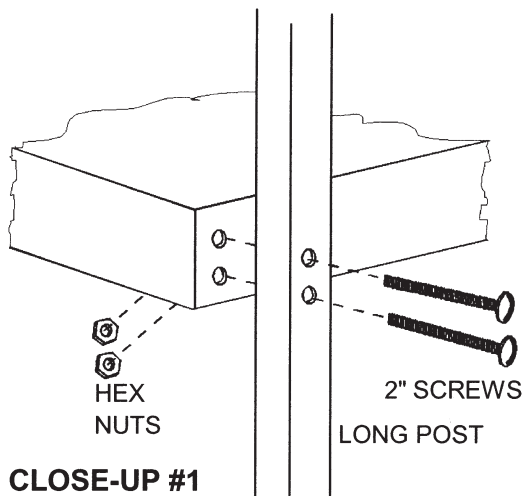
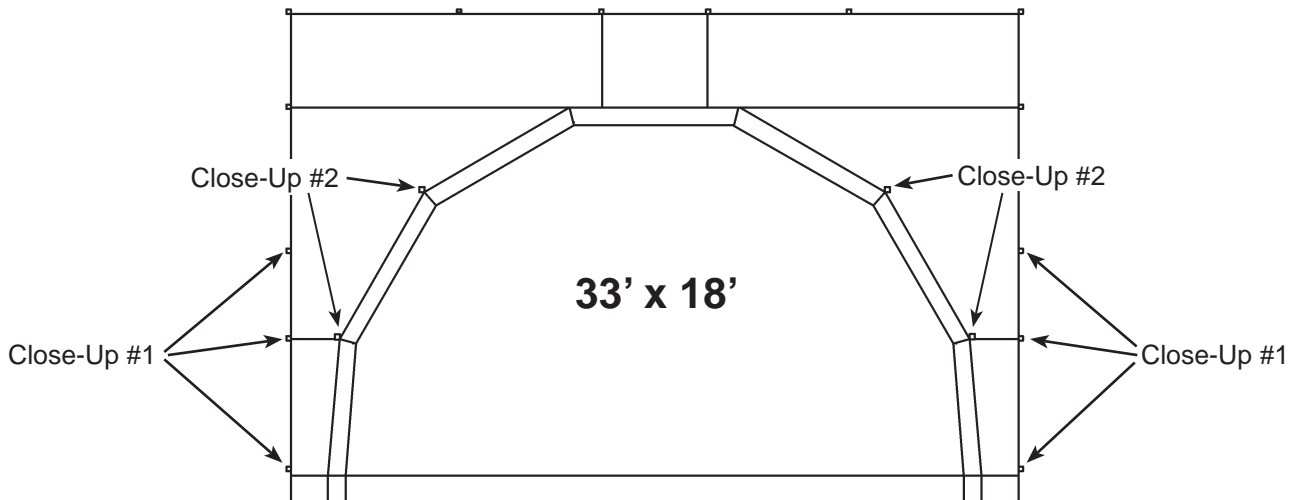
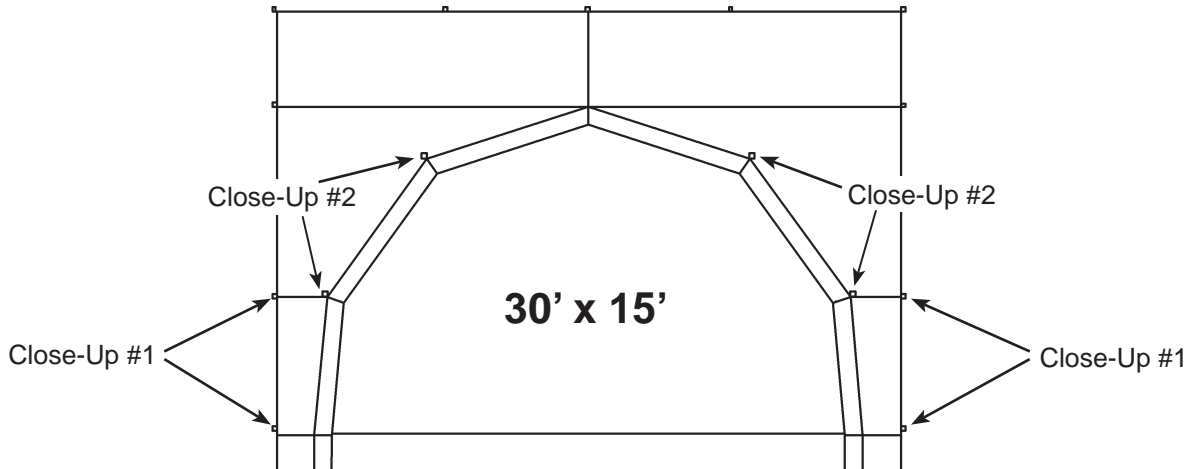
Then build the left and right transition patio using two (2) 1" Round Head Screws, four (4) Washers and two (2) Hex Nuts each as shown.



14

IMPORTANT: ONLY HAND TIGHTEN SCREWS AT THIS TIME

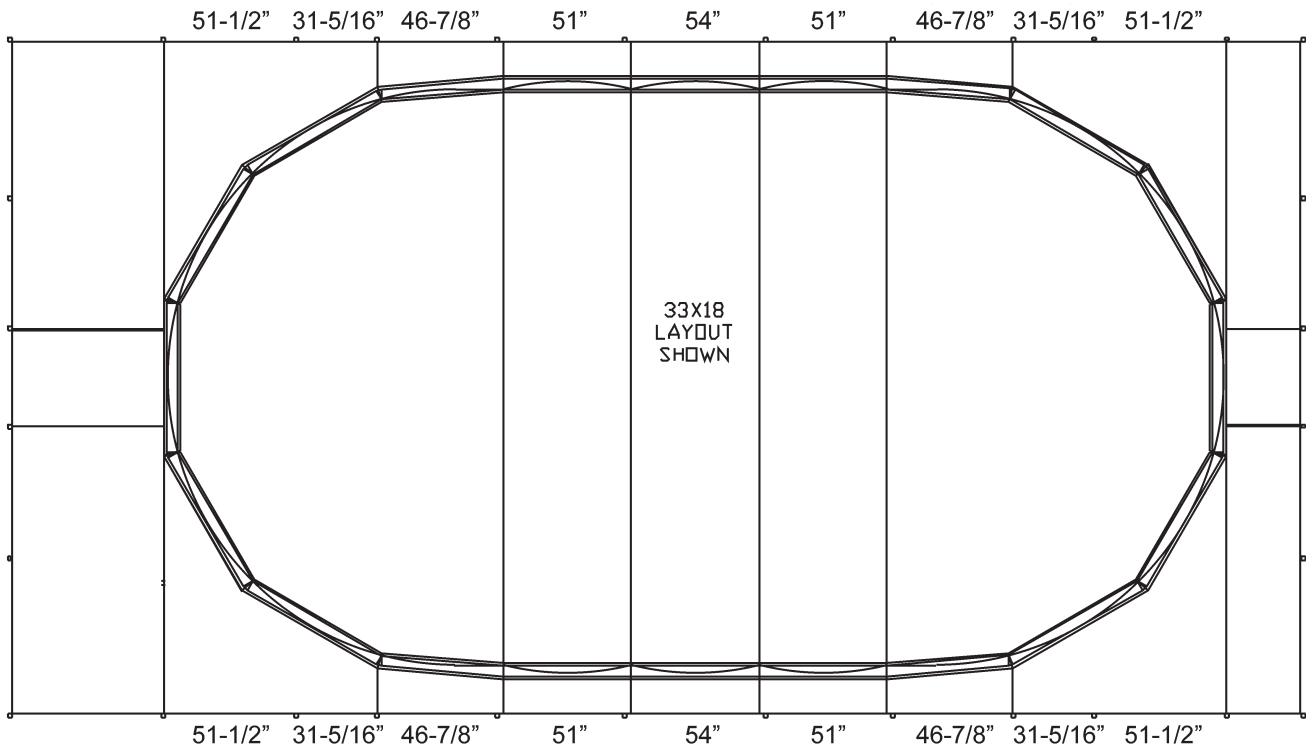
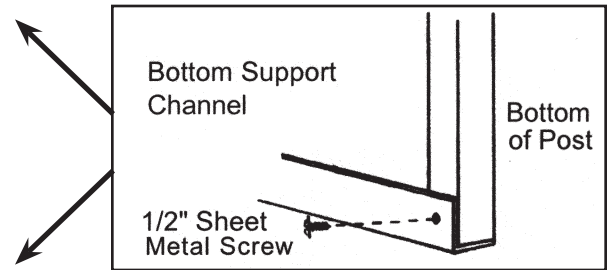
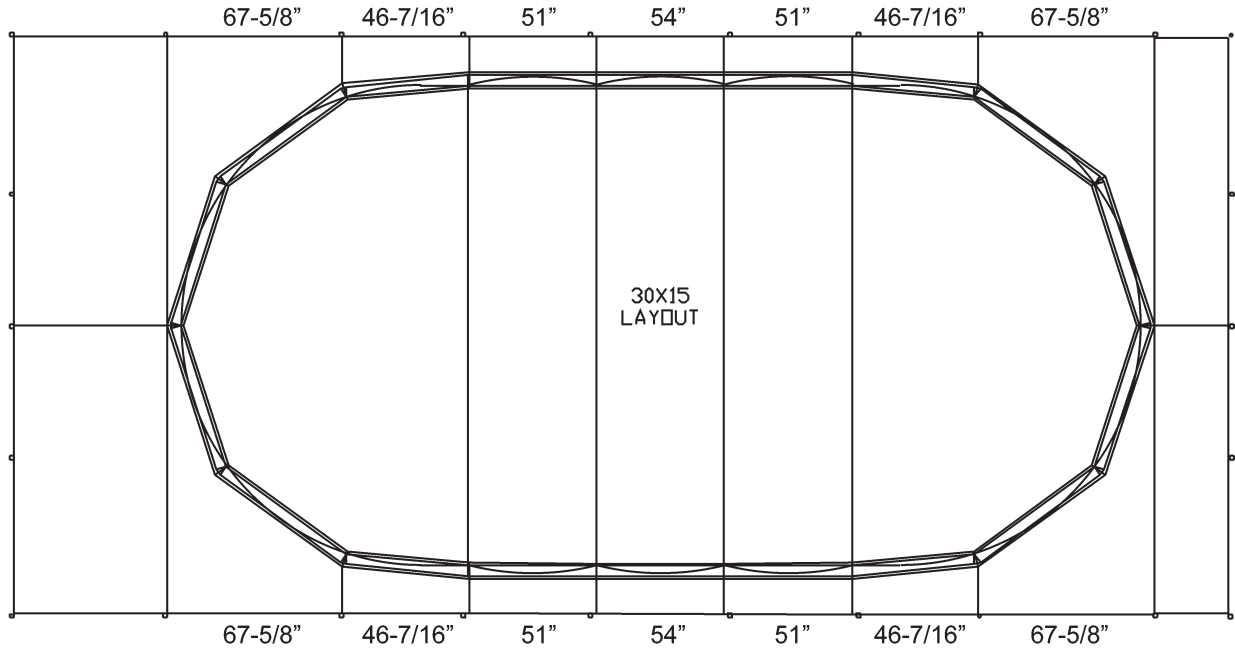
Attach Posts to the Left Patio and Right Patio in the locations indicated below. There are assembly Close-Up Illustrations on the bottom of the page to help you know how to attach the Post at each location. Each location indicates which of the Close-Up Illustrations to use.



15

IMPORTANT: ONLY HAND TIGHTEN SCREWS AT THIS TIME

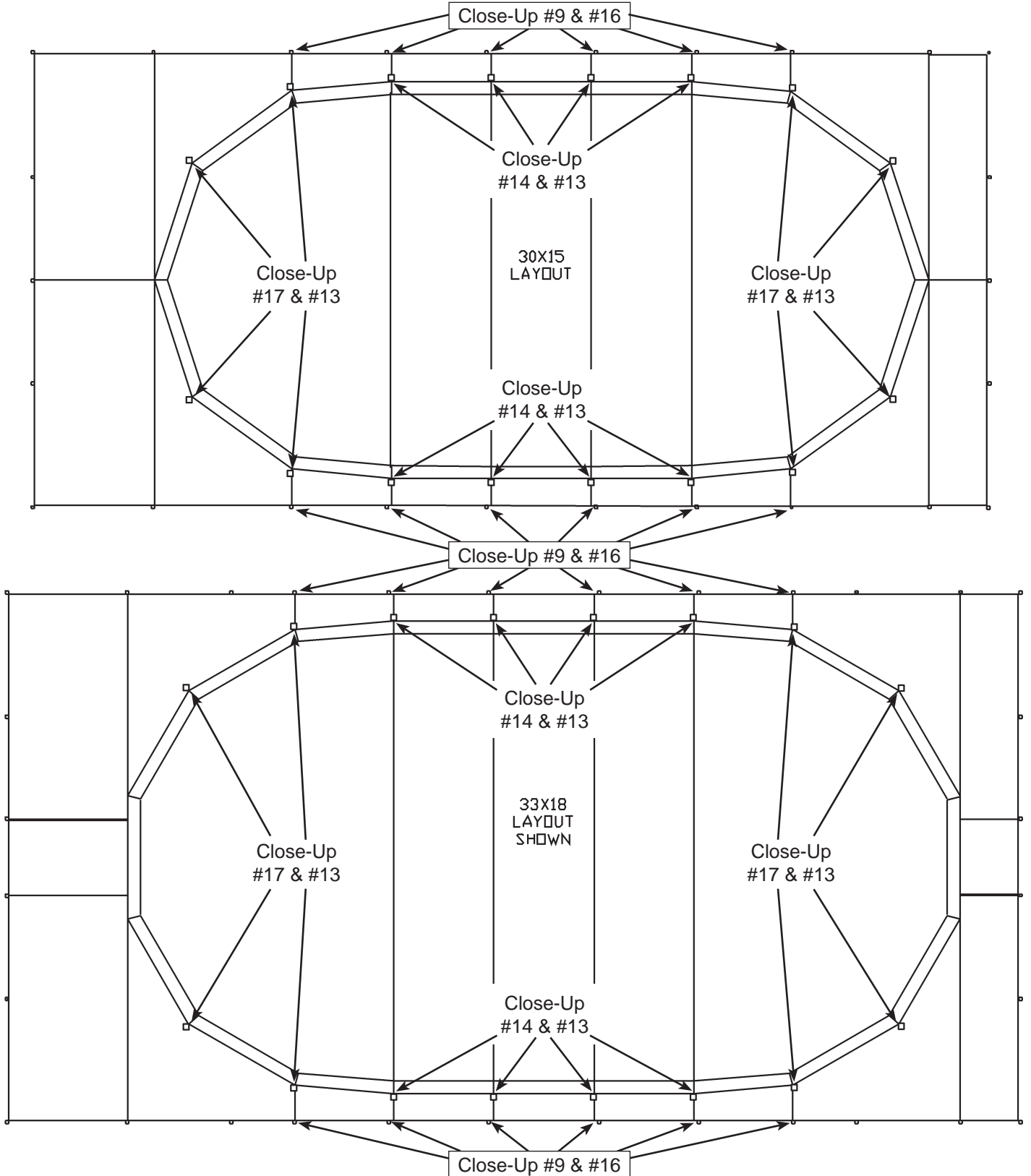
Attach Bottom Support Channels (long "L" shaped pieces) of the sizes indicated below to the bottoms of the Posts using #12 x 1/2" Sheet Metal Screws. The sizes and placement of the channels is shown below.



16

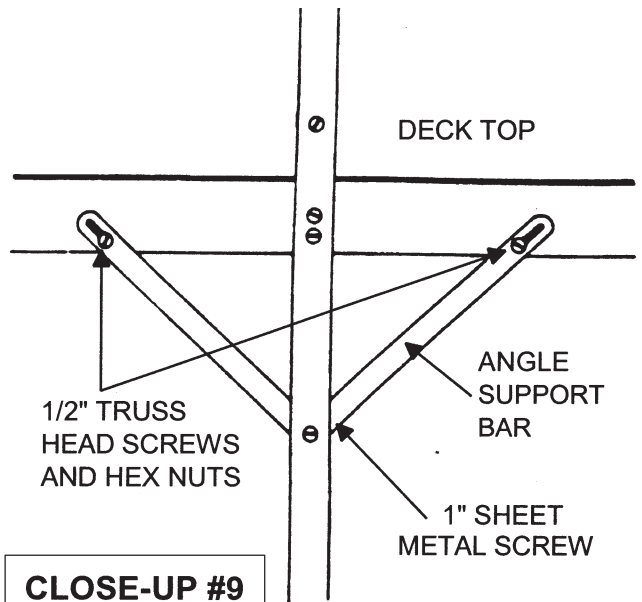
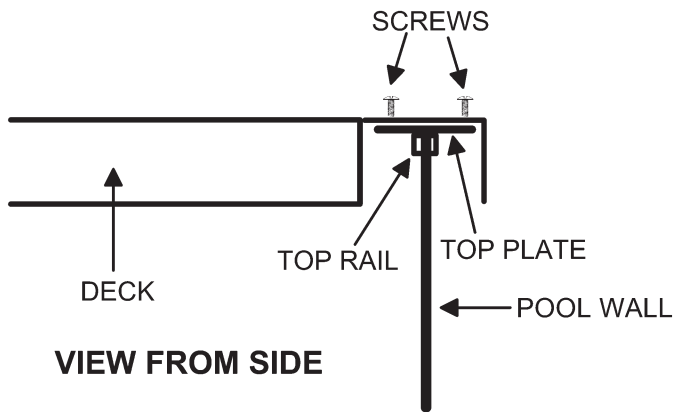
IMPORTANT: ONLY HAND TIGHTEN SCREWS AT THIS TIME

Attach Angle Support Bars to the bottom and top of the Posts attached to the Left and Right Patios in the locations indicated below. There are assembly Close-Up Illustrations on the next page to help you know how to attach the Angle Support Bars at each Post location. Each location indicates which of the Close-Up illustrations to use. Note carefully the position of the slots in the Angle Support Bars. Again, only hand tighten screws at this time.

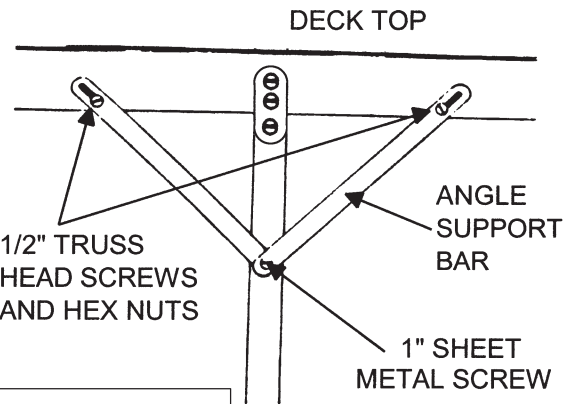


Secure the Walk Deck sections to the Top Plates using the Sheet Metal Screws supplied with the pool. Refer to Close-up #13.

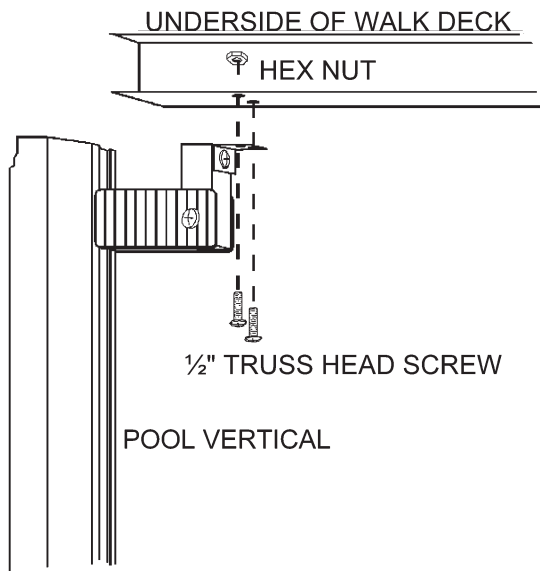
CLOSE-UP #13



CLOSE-UP #9

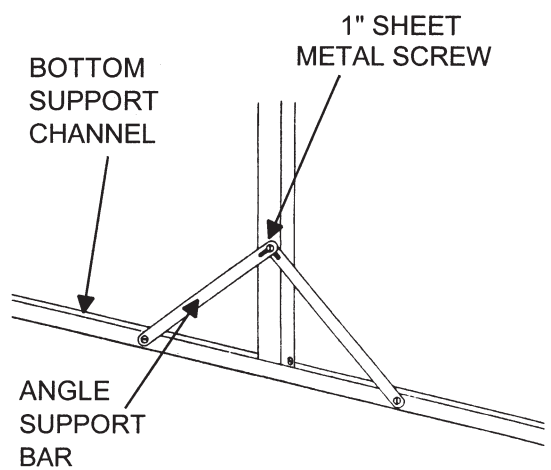


CLOSE-UP #17



CLOSE-UP #14

POST BOTTOM



CLOSE-UP #16

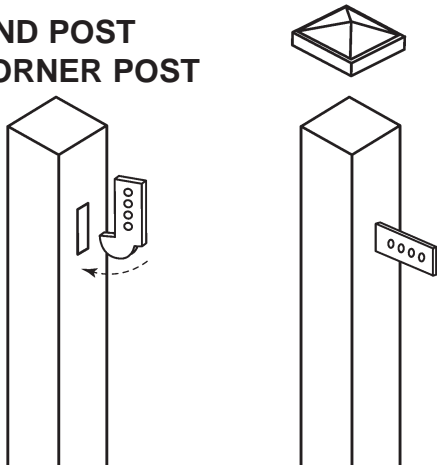
17

IMPORTANT: ONLY HAND TIGHTEN SCREWS AT THIS TIME

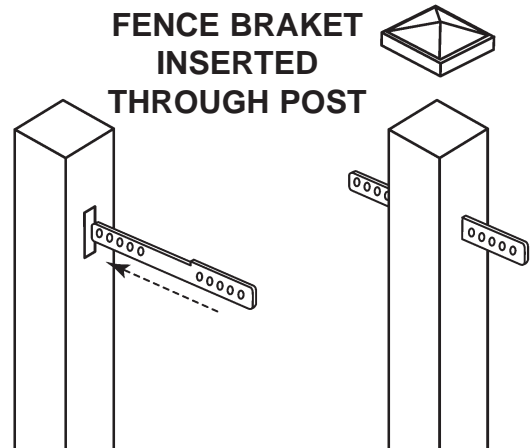
For the Corner Posts, install Fence Brackets into the top and bottom of all the Fence Posts simply by inserting the oval ends into the slots and pressing the Fence Bracket down as shown. Next, press one Post Cap onto the top of each Post.

For Standard Fence Posts where a fence is to be attached to each side, insert a Straight Fence Bracket all the way through the Post as shown.

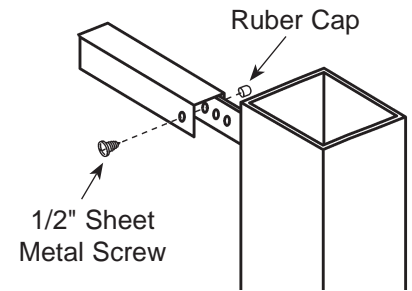
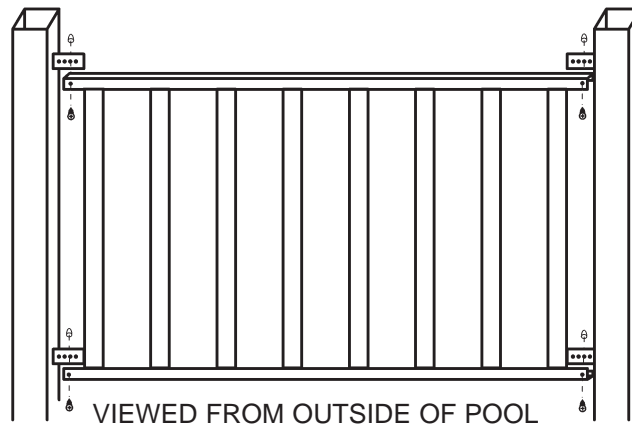
END POST OR CORNER POST



STANDARD POST FENCE BRACKET INSERTED THROUGH POST



Use the illustrations on the next page to find the location of each size fence. Attach the Fence portions to the Fence Brackets using the 1/2" Sheet Metal Screws as illustrated at right. Place one small plastic Screw Cover on the end of each screw.

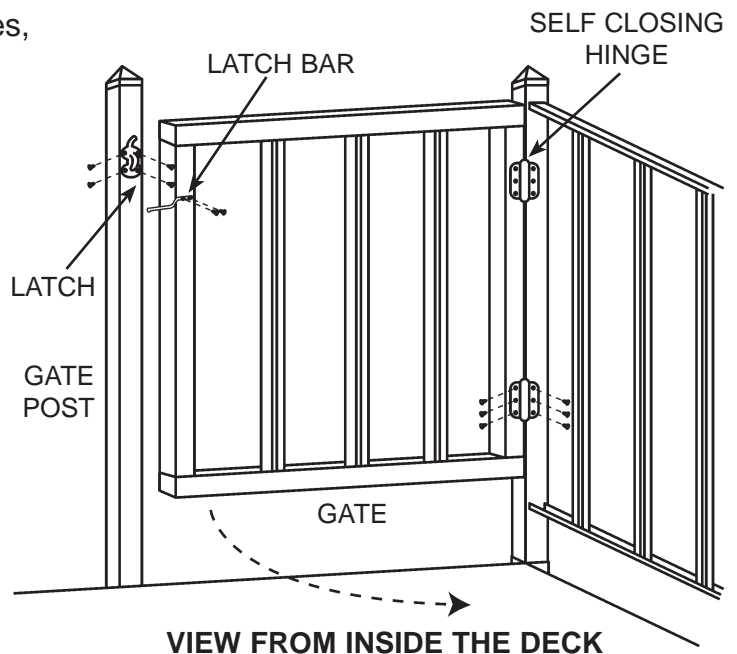


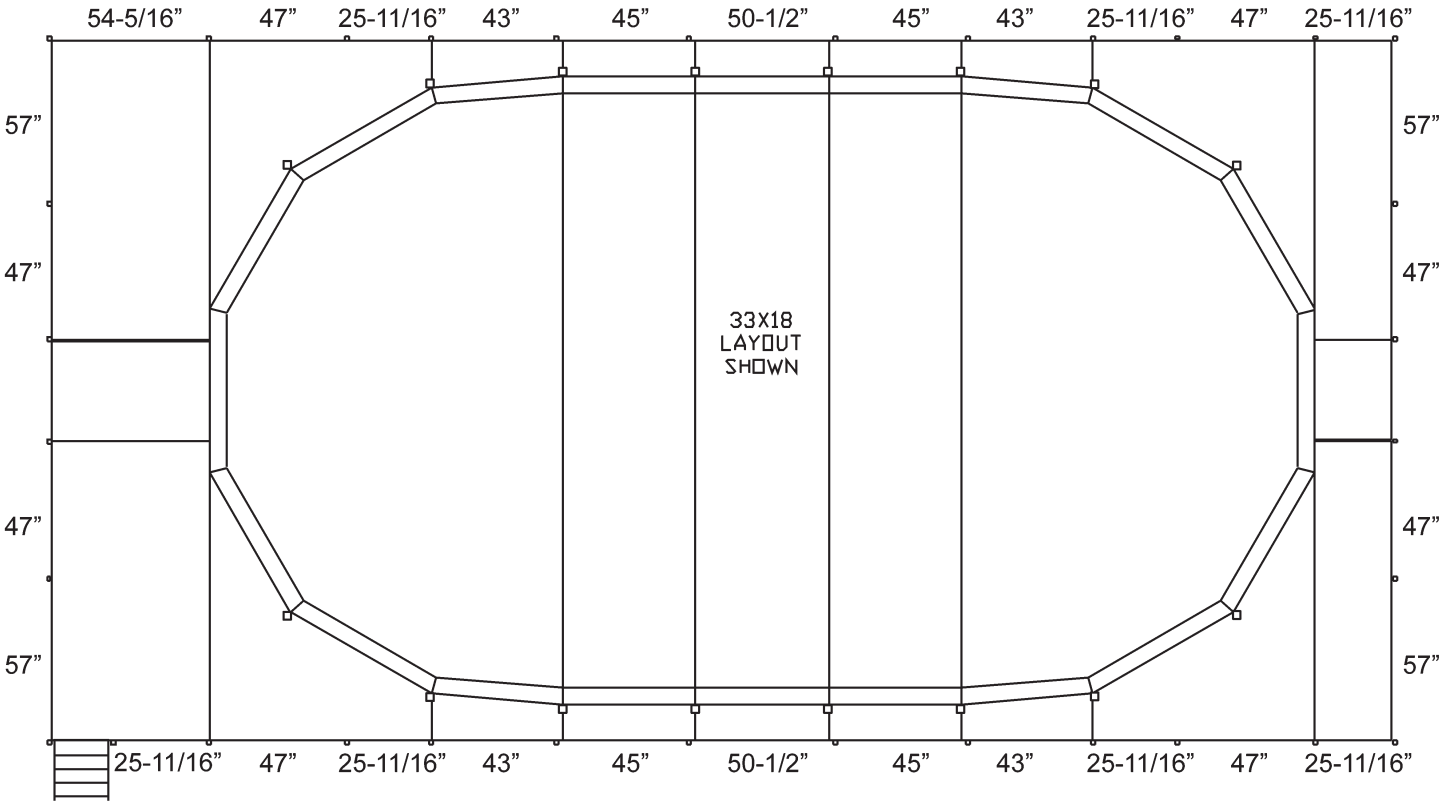
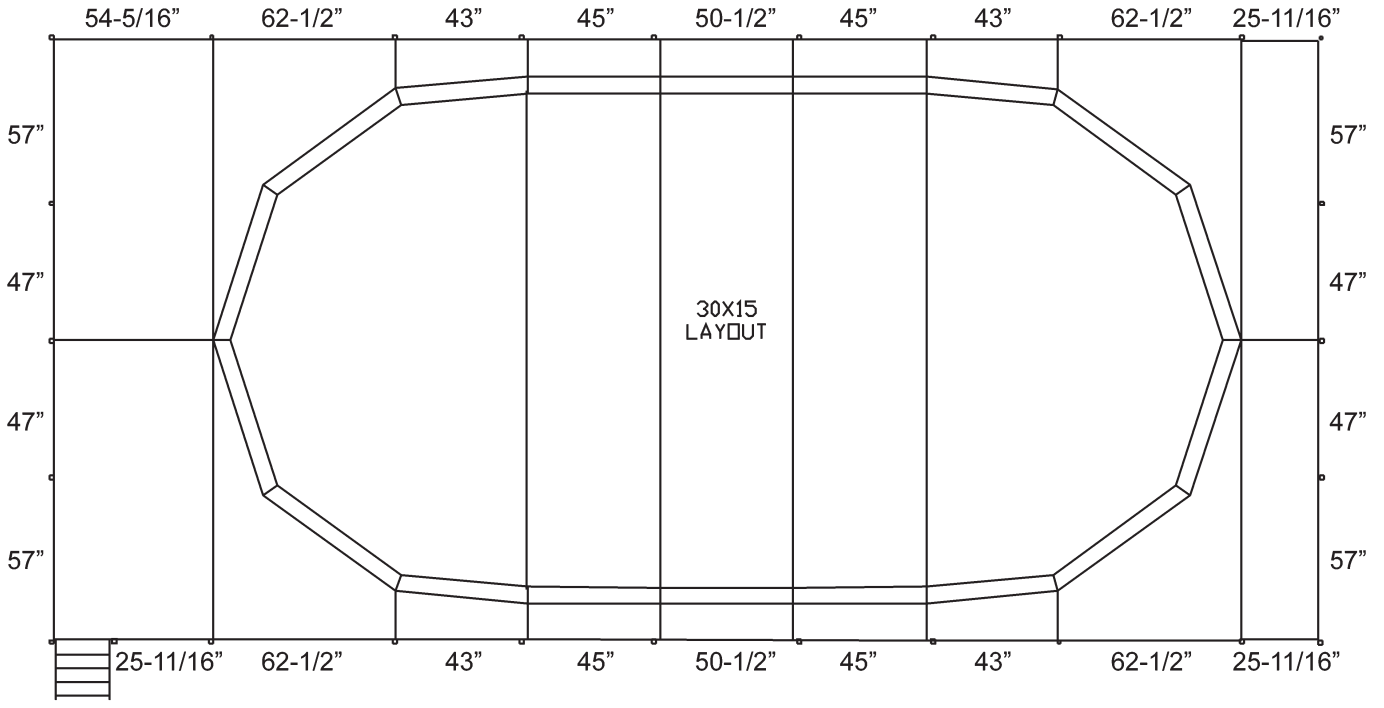
Using the Latch, Latch Bar and Hinges as templates, drill 3/8" holes in the locations illustrated at right in the Ladder/Gate Post.

Mount the Hinges and the Gate using 1/2" long Self-Tapping Screws so that the Gate swings on to the deck in the direction of the back fence. Mount the Latch Bar to the Gate and the Latch to the Gate Post using 1/2" long Self-Tapping Screws (Note: the Latch mounts approximately 21/8" from the top of the Gate).

Test the Gate to insure that it is perfectly aligned and closes and completely latches by itself. It is very important to periodically test and maintain the Gates proper functioning.

WARNING: Make sure that your pool is not accessible when not in use!!!





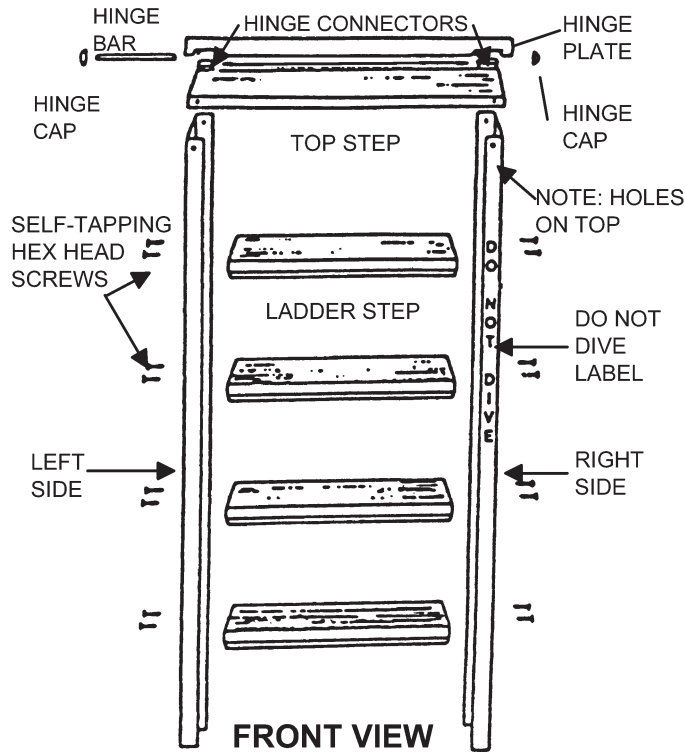
GROUND TO DECK LADDER INSTRUCTIONS

Assemble the four steps to your ladder side rails using the (16) # 14 x 1" self tapping hex head screws. Insert the screws through the ladder side rails and tighten securely to the screw receiver on the underside of the steps.

Slide the two hinge connectors into the slots on the rear side of the top step.

Place the top step on top of the ladder side rails and aligning the holes, insert the (2) 1/4 x 20 x 1/2" long truss head screw through the hinge connector, top step, and the ladder side rails. Fasten with the (2) 1/4 x 20 hex nuts from underneath the top step.

Repeat this procedure for the front of the top step only inserting the screws through the top step and the ladder side rail.



Attach the two handrails to the ladder side rails. Mark the four holes in the side rail and drill through the side rail using a 5/16" drill bit.

Insert the plastic caps over each end of the handrails and attach the handrails to the side rail using the (4) 1/4 x 20 x 2" screws and nuts on each handrail.

Attach the hinge plate to the ladder by inserting the hinge bar through the hinge plate and the two hinge connectors assembled onto the ladder.

Using a hammer gently tap on the two hinge caps onto the exposed ends of the hinge bar.

Position the ladder on the deck. Drill through the hinge plate and the face of the deck using a 5/16" drill bit and attach the ladder to the deck using (2) 1/4 x 20 x 1/2" screws and nuts provided.

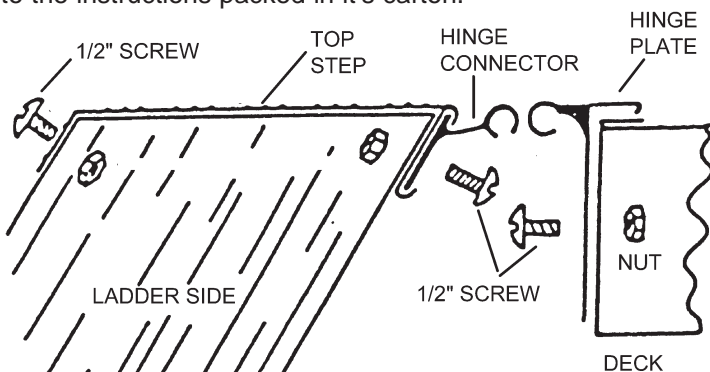
Attach the two remaining hand rails to the outside of the two long posts along side the ladder by marking the two holes and drilling through the post using a 5/16" drill bit.

Insert the plastic caps over each end of the handrail and assemble the handrails to the post using the (2) 1/4 x 20 x 3" truss head screws and nuts on each handrail. Position these handrails so that a "HAND HOLD" is accessible from the bottom of the ladder to the top.

YOUR DECK SHOULD BE SECURED TO THE GROUND IN THE EVENT OF ANY STRONG WIND OCCURRENCES.

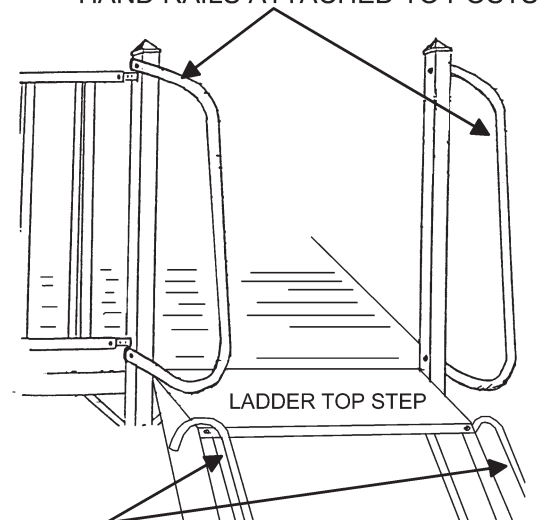
This may be easily done by driving tent stakes into the ground firmly catching the Bottom Support Channels near each Post.

If supplied, assemble your In-Pool Ladder according to the instructions packed in it's carton.



Two "DO NOT DIVE" warning labels are pre-applied to the ladder side rails. Point out these warnings to all users of the pool.

HAND RAILS ATTACHED TO POSTS

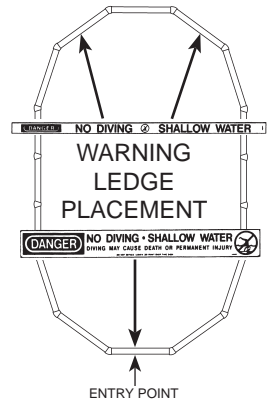


OUTSIDE VIEW

19

WARNING LABELS

With your deck you are provided with 5 additional Warning Labels. One Large Label (#490090) is to be permanently affixed to the top of the pool's Top Ledge at the entry point of the pool. The two long, thin labels (#490091) are to be affixed on the inside of the pool's Top Ledge opposite to and facing the entry point of the pool. The two Square Labels (#490021) are to be affixed on the outside edge of the deck by the outside ladder. To affix these labels, simply clean the area where the label is to be applied and peel off the backing and press the label firmly into place. Should you need any additional Labels for any reason, simply order them by part number from your local dealer or direct from the manufacturer.



#490021



#490091

Consumer Awareness Booklets:

The following books are available through the National Pool & Spa Institute:
 "The Sensible Way To Enjoy Your Pool"...published by the NSPI, October 1983 (revised September 1986),
 "Children Aren't Waterproof"...published by the NSPI,
 "Pool & Spa Emergency Procedures For Infants And Children"...published by the NSPI.

Contact: APSP
 2111 Eisenhower Avenue, Alexandria, Virginia 22314
 (703) 838-0083



313 REGINA AVENUE
 RAHWAY, NEW JERSEY 07065-4891
 Phone: (732) 574-1500 • Fax: (732) 574-1551

E-mail: info@swimnplay.com

www.swimnplay.com