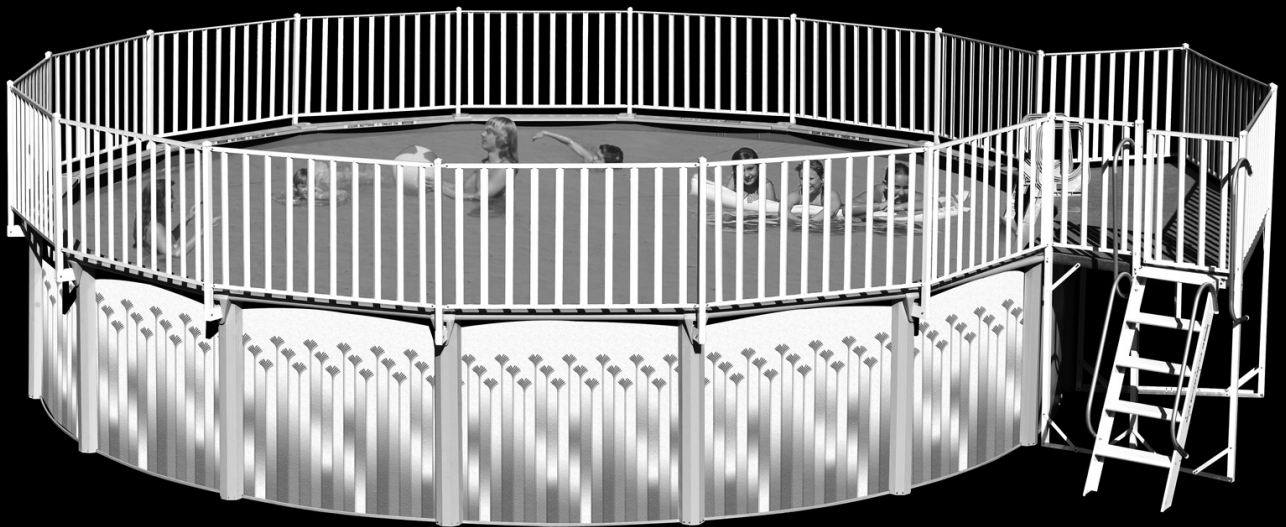


ASSEMBLY INSTRUCTIONS

3 PIECE FAN DECK WALK AROUND



READ THROUGH AND UNDERSTAND ALL THE STEPS TO THIS INSTALLATION BEFORE ATTEMPTING TO INSTALL EITHER YOUR POOL OR YOUR DECK.



SWIM'N PLAY, INC.

Makers of Fine Above Ground Pools®

313 REGINA AVENUE
RAHWAY, NEW JERSEY 07065-4891

Phone: (732) 574-1500

Fax: (732) 574-1551

www.swimnplay.com

E-mail: info@swimnplay.com



DANGER

DO NOT DIVE OR JUMP into your pool. Your pool is approximately 4' deep. It is not designed for diving or jumping. If you dive or jump into your pool you run the risk of permanent injury or death. Alert all visitors and family of this and point out all warning labels supplied.

ADULT SUPERVISION REQUIRED

GENERAL

Take time to follow the instructions and do things right the first time. Read all instructions prior to starting. Before you start, check to see that you have the correct number of parts. Use your parts list which is broken down by carton.

The manufacturer reserves the right to revise, change or modify construction of their product.

CONTRACT INSTALLATIONS

The manufacturer is in no way affiliated with any professional installer. Therefore the manufacturer can assume no responsibility, for errors in installation by the home owner or said professional installer. If you have your deck installed by others, please supervise to be sure they comply with THE proper installation techniques shown. Their past experience or short cuts may not cover the latest improvements in our decks. Do not allow any short cuts of any nature.

LOCAL CODES

Local building code may require obtaining a building permit and may have regulations on set backs, barriers, devices and other conditions that must be followed. Any after market or home built deck should be built to the local building code requirements, including load capacity and fencing requirements.

Local electrical code may require obtaining a building permit and may have regulations on setbacks, devices and other conditions that must be followed.

All electrical outlet connections should be a minimum of 5 feet from the outside perimeter of the wall of the pool. From 5-10 feet there should be either a fixed connection (outlet box) or twistlock connection with a GFCI. Connect power cords to a 3-wire grounding-type outlet only.

Severe electrical shock could result if you install your pump or filter on a deck. They could fall into the water, causing severe shock or electrocution. Do not install on a deck or other surface at, above or slightly below the top SEAT of the pool.

BARRIER REQUIREMENTS

If the distance from the top of the assembled pool is less than 48" vertically from the surrounding grade, a fence or barrier is needed to surround the pool with a minimum height of 48".

A barrier is necessary to provide protection against potential drowning and near drowning and is not

a substitute for constant supervision of children. A barrier is a fence, wall, or a combination thereof which completely surrounds the swimming pool and obstructs access to the swimming pool. Barriers must comply with local and national building codes and the US Consumer Product Safety Commission.

These ARE minimum fencing and barrier requirements. Check your local building codes for other requirements they may request. Optional fencing kits are available, Please contact your local dealer.

If pool covers are used for safety barriers they should comply with ASTM F 1346 "Standard Performance Specification for Safety Covers and Labeling Requirements for All Covers for Swimming Pools, Spas and Hot Tubs."

GETTING STARTED

Unpack and identify all the parts to your deck using the enclosed packing list.

TO ASSEMBLE THE DECK YOU WILL NEED:

1. DRILL WITH A 7/64", 5/32", 3/16" AND 5/16" BIT
2. 7/16" WRENCH
3. #3 POINT PHILLIPS SCREW DRIVER
4. MEASURING TAPE AND MARKING PENCIL

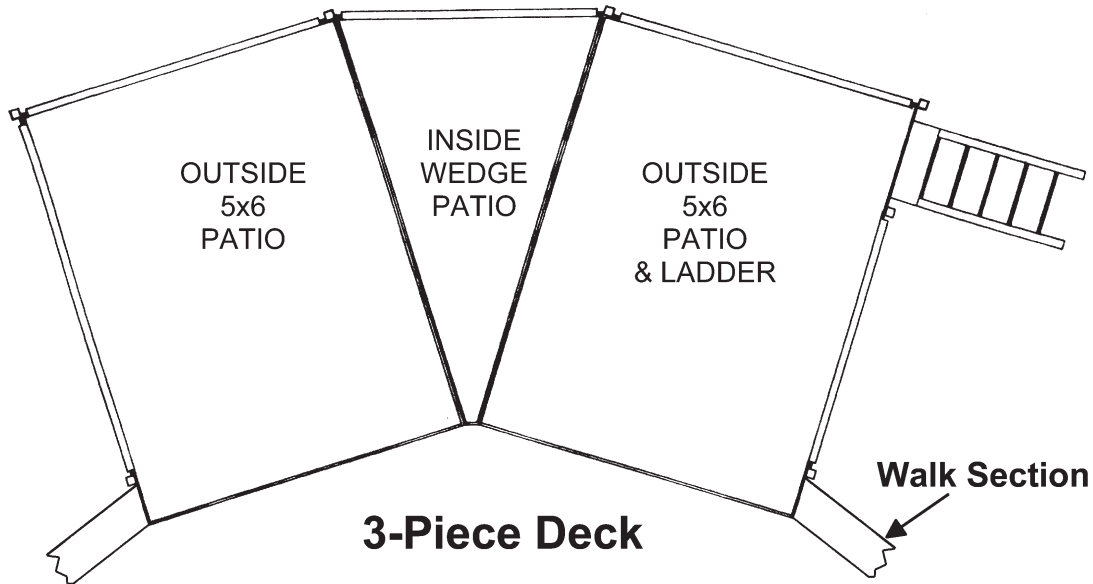
ATTENTION DECKS ARE MADE FOR 52 INCH DEEP POOLS

IF YOUR POOL IS 48" DEEP
YOU WILL HAVE TO DIG A TRENCH
OR CUT THE BOTTOM OF THE POSTS
(4 INCHES) IN ORDER TO LEVEL THE HEIGHT OF
THE DECK WITH THE HEIGHT OF YOUR POOL.

**THE BASE OF THE DECK MUST BE LEVEL
WITH THE TOP LEDGE OF YOUR POOL**

ASSEMBLY DRAWING

Use the drawings below for reference while assembling your deck.



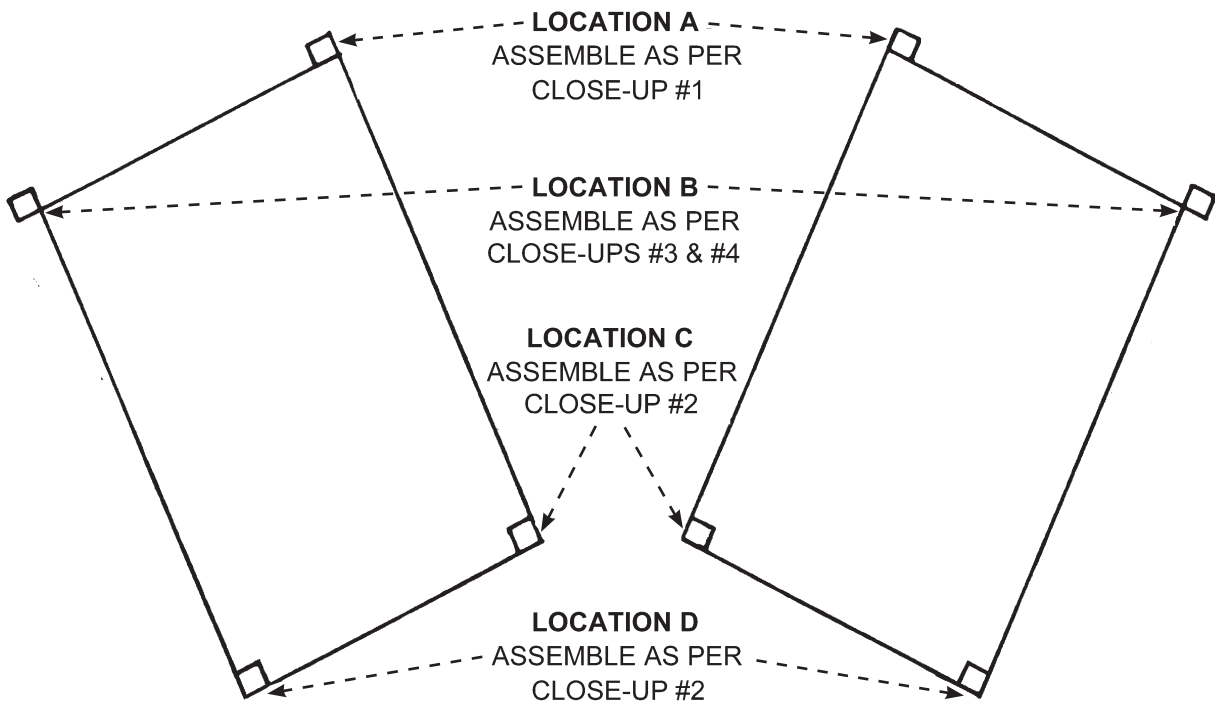
1

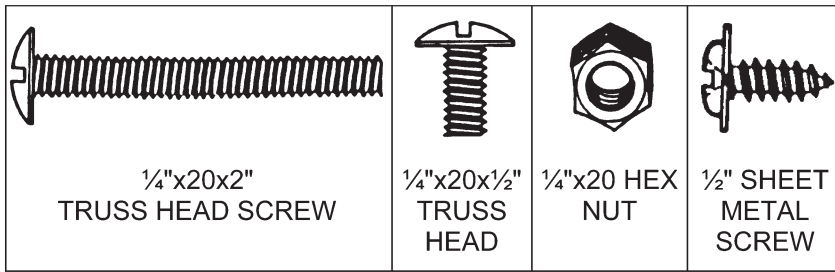
Clear out and level the ground in the location where your deck is to be installed.

2

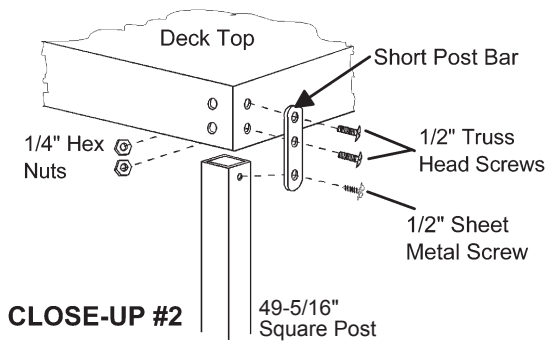
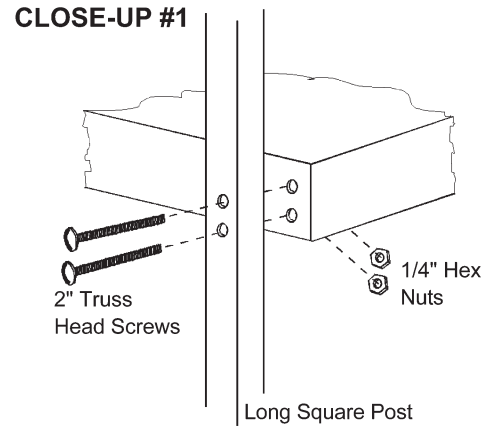
IMPORTANT: ONLY HAND TIGHTEN SCREWS AT THIS TIME

Elevate your two Outside 5x6 Patios using either patio blocks or saw horses. Refer to the illustrations below to attach the Square Posts at the proper locations.



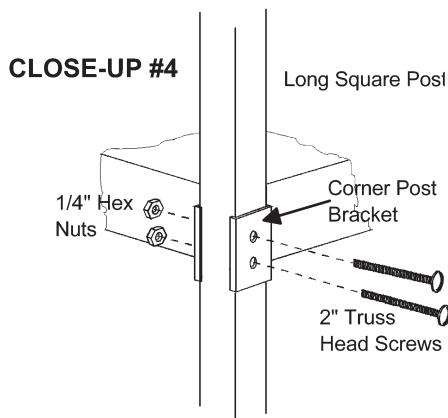
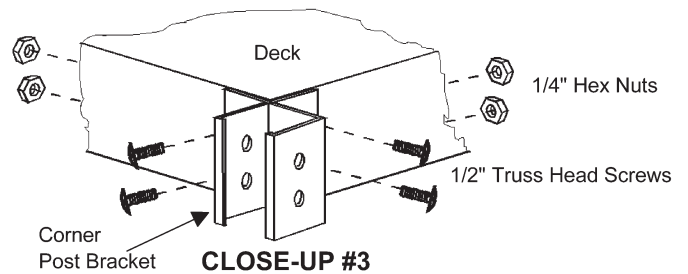


Attach Long Square Posts at "Location A" (a total of 2 locations) referring to Close-up #1 at right for proper assembly procedure.



Bolt 49-5/16" Posts at "Location C" and "Location D" (the underside inside corner of each deck – a total of 4 locations) using Close-up #2 at left for proper assembly procedures.

At "Location B" (far outside corners of your decks) illustrated on previous page, bolt on the Corner Post Brackets using four 1/4" x 20 x 1/2" Truss Head Screws and Nuts. Refer to Close-up #3 at right for proper assembly procedure.

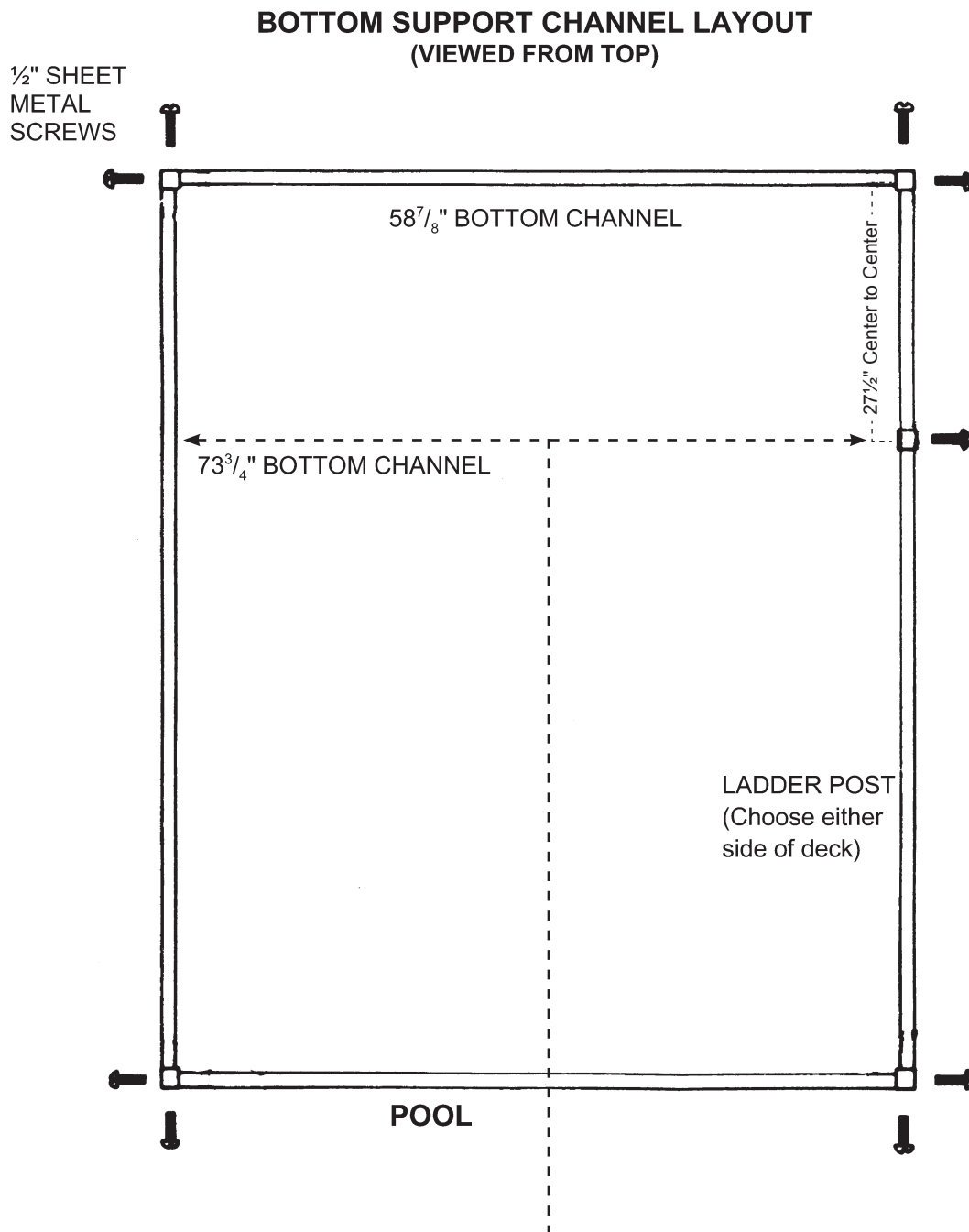


Bolt one Long Square Post to each Corner Post Bracket (see Close-up #4 at left).

3

IMPORTANT: ONLY HAND TIGHTEN SCREWS AT THIS TIME

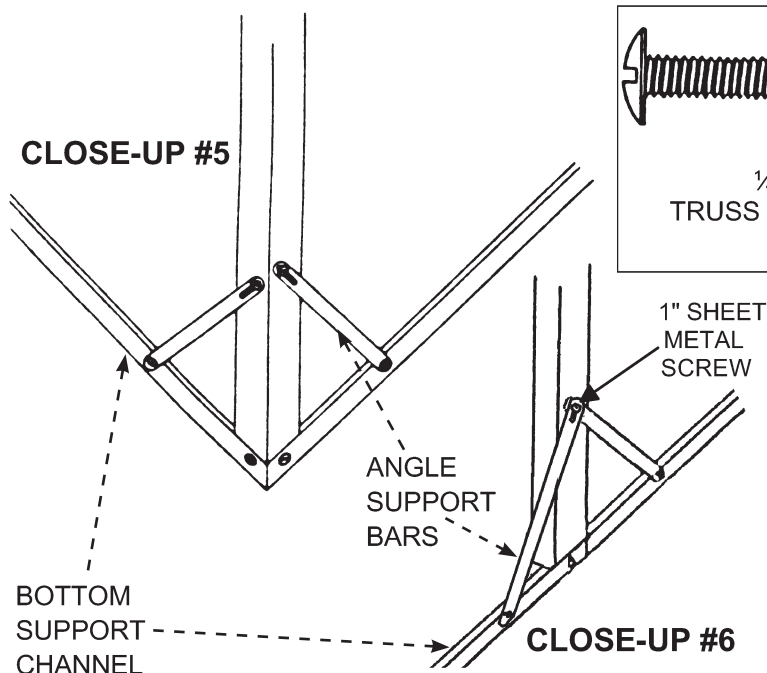
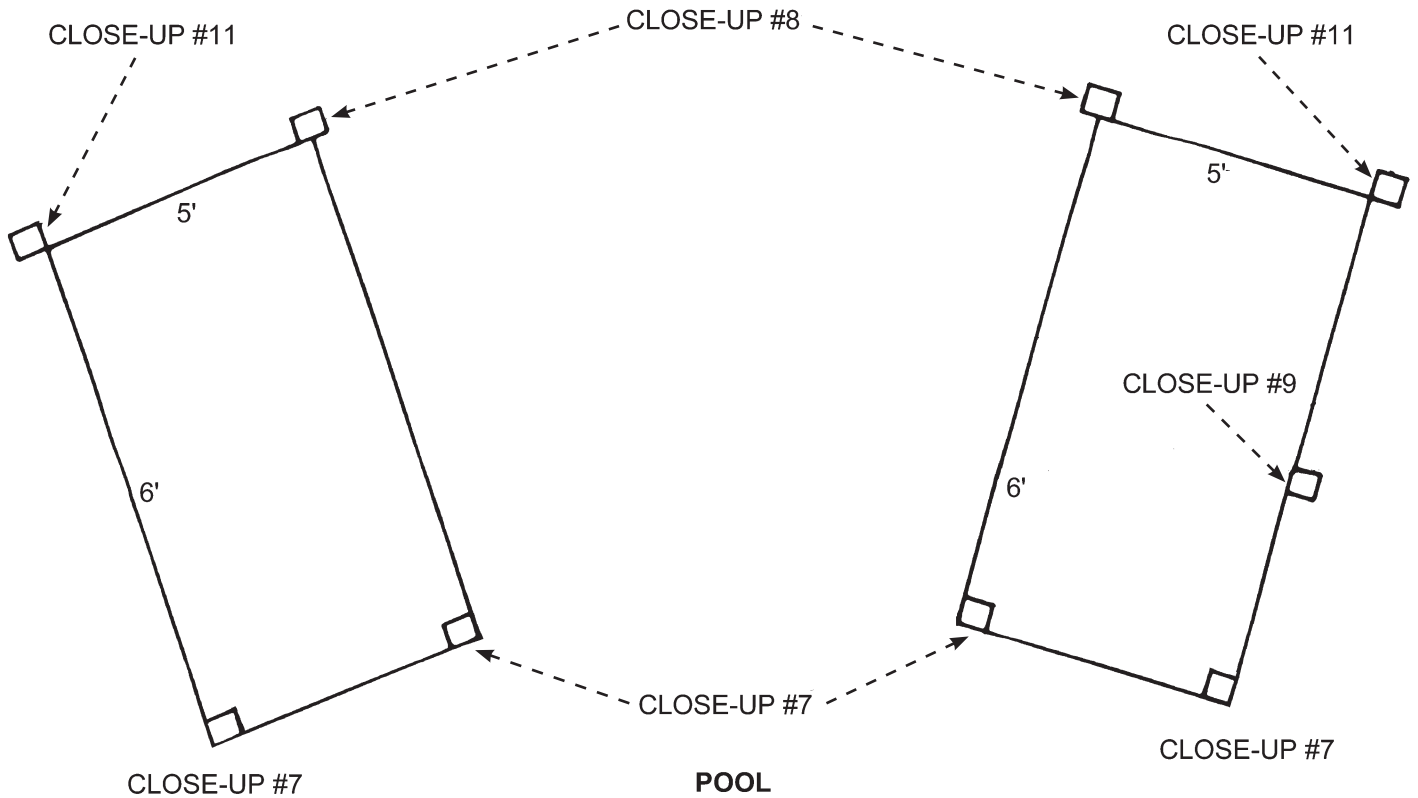
Attach the Bottom Support Channels (long "L" shaped pieces) to the bottoms of the Posts supporting the 5x6 Patios using #10x $\frac{1}{2}$ " Sheet Metal Screws. The layout of the channels is shown below.



Choose the position of your Ladder (either on the left or right side of your outside deck and bolt the remaining 88 $\frac{1}{2}$ " Long Square Post onto your deck at that point in the same manner as the other Posts. Note: above the Ladder Post is illustrated on the right side.

4

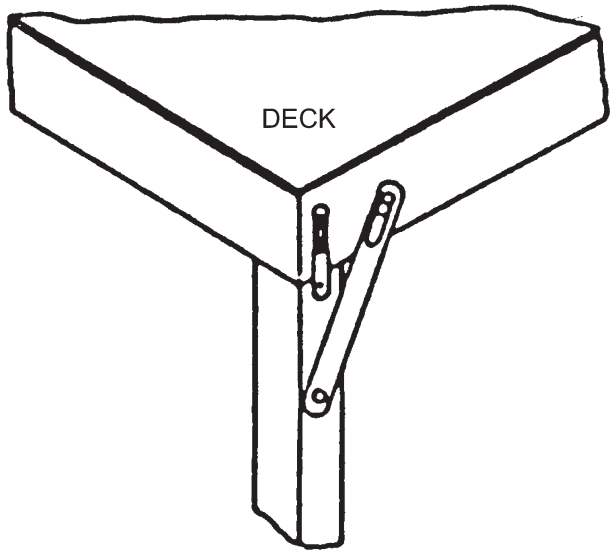
Attach the Angle Support Bars, referring to the illustration below for the correct assembly procedure at each location. Refer also to the Close-Up Illustrations below and on the following page. Where individual Angle Support Bars attach to the Posts use $\frac{1}{2}$ " Sheet Metal Screws, however, where two Angle Support Bars overlap use 1" Sheet Metal Screws. Where the Angle Support Bars attach to the Bottom Support Channels or the deck, use $\frac{1}{2}$ " Truss Head Screws and Hex Nuts. Note carefully in the Close-Ups the position of the slots in the Angle Support Bars. Again, only hand tighten screws at this time.



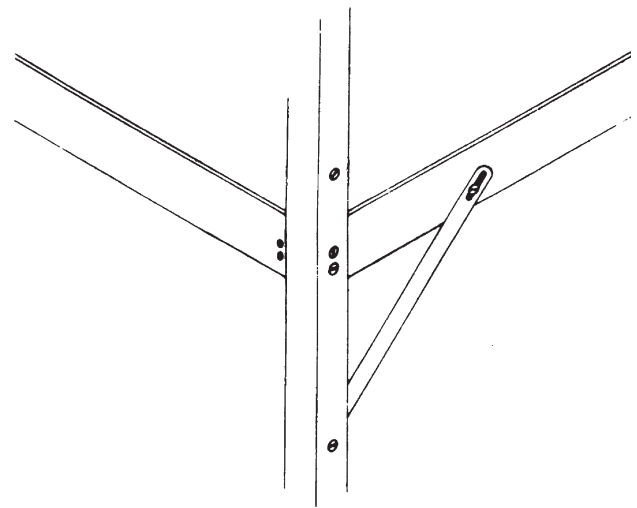
$\frac{1}{4}$ "x20x2" TRUSS HEAD SCREW	$\frac{1}{4}$ "x20x $\frac{1}{2}$ " TRUSS HEAD	$\frac{1}{4}$ "x20 HEX NUT	$\frac{1}{2}$ " SHEET METAL SCREW

In each corner where the bottom of each Deck Post joins the Bottom Support Channels, attach two Angle Support Bars according to Close-Up #5 at left.

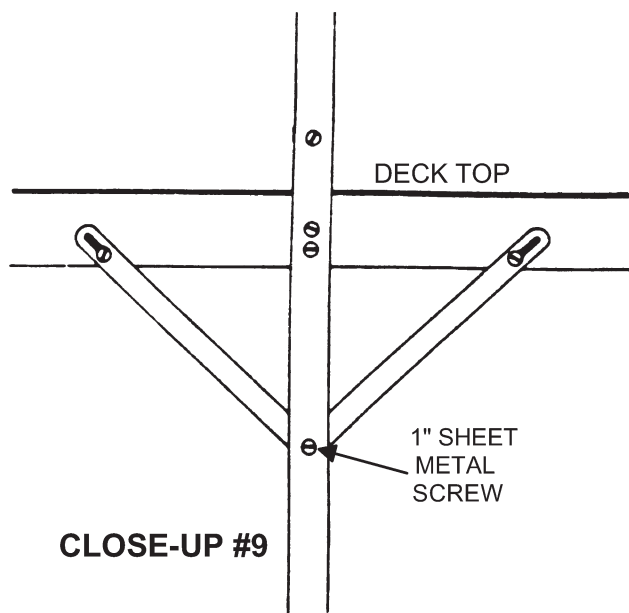
The Post for the Gate, however, gets two Angle Support Bars as illustrated in Close-Up #6 at left.



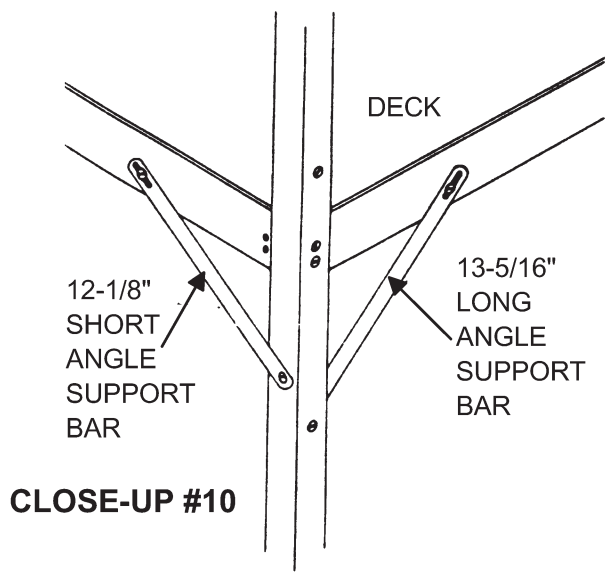
CLOSE-UP #7



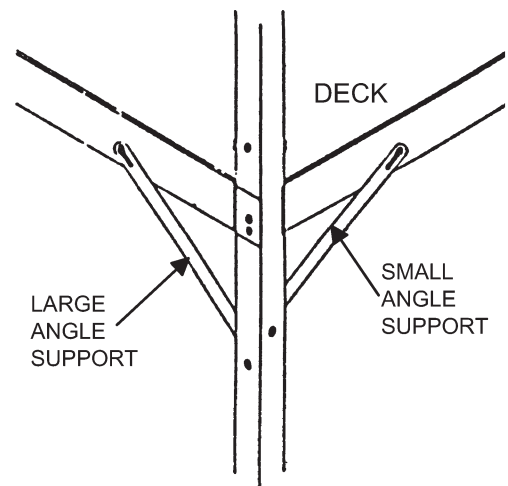
CLOSE-UP #8



CLOSE-UP #9



CLOSE-UP #10

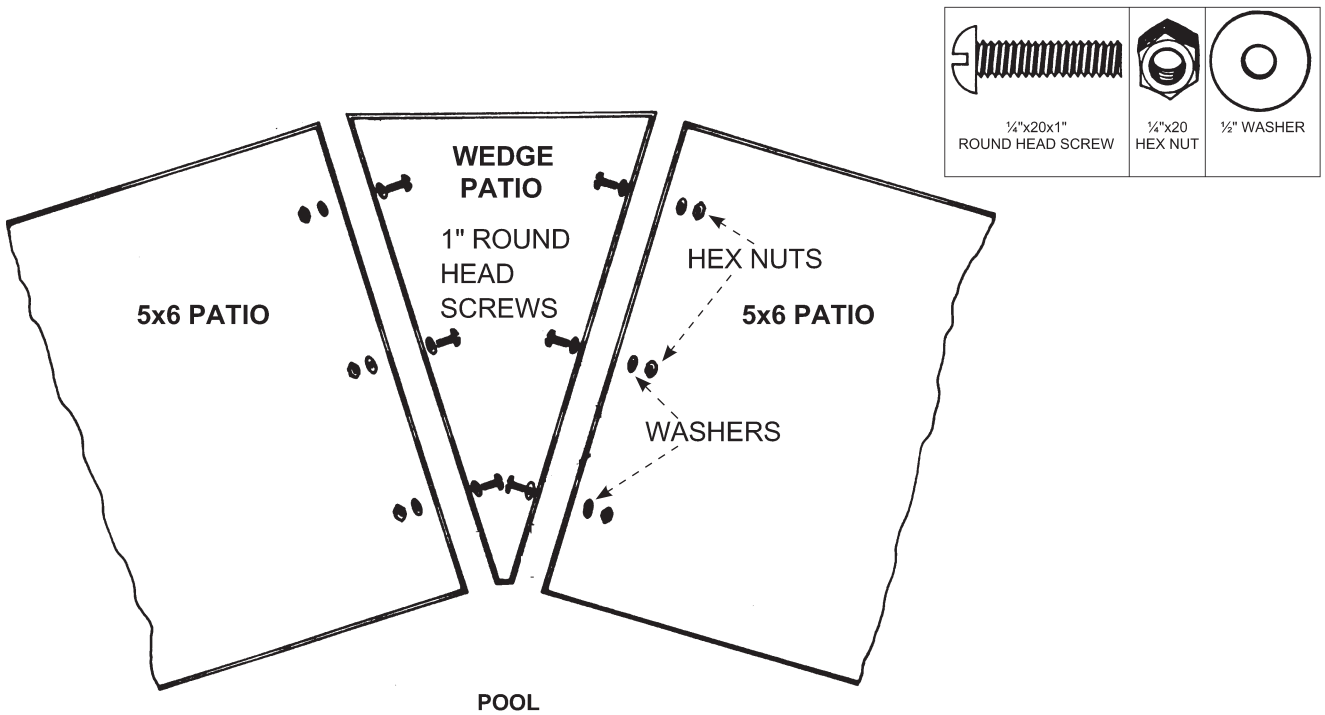


CLOSE-UP #11

Finally, make sure that all the Posts are perfectly straight and tighten all nuts and bolts securely. You may now remove the saw horses or patio blocks and allow your deck to rest on the ground.

5

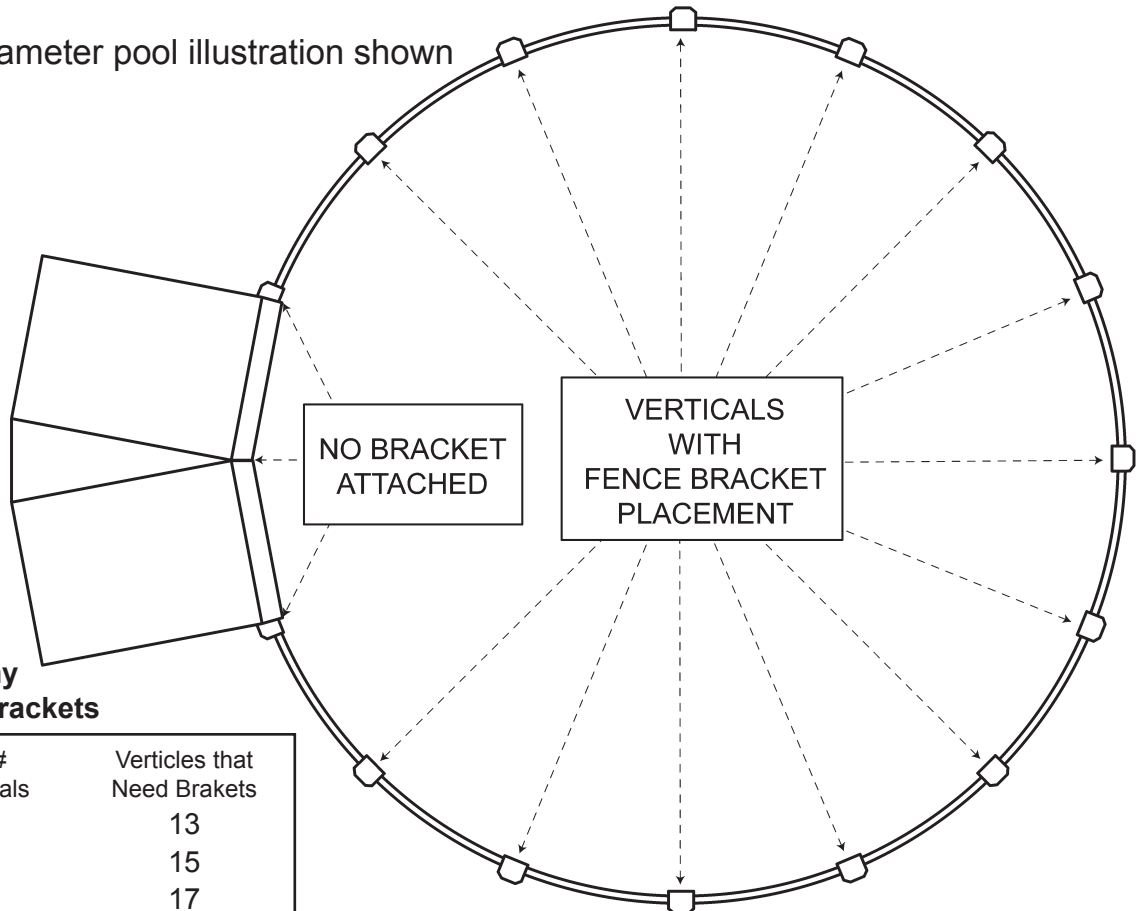
Assemble your Wedge Patio(s) to the 5x6 Patios using the 1" Round Head Screws, Washers and Hex Nuts as shown.



6

FENCE POST BRACKET INSTALLATION

24' Diameter pool illustration shown



Use the chart below to determine how many vertices need fence brackets

Pool Size	Total # of Verticals	Vertices that Need Brackets
24'	16	13
27'	18	15
30'	20	17

Before assembling your pool, take all of the pool Verticals that will be located where the "Walk Around" sections of deck will be located and attach two Fence Post Brackets to each Vertical using the 1/4 x 20 x 3/4" Screws and Washers and Hex Nuts provided as shown below. Fasten securely.

If your pool is already filled with water it will be necessary for you to lower the water level to 2' deep in order to assemble the Fence Post Brackets to the pool.

If the Verticals do not have holes to attach the Post Brackets, simply place the bracket 3" from the top of the Vertical. Then using the Post Bracket as a template drill through the Vertical using a 5/16" drill bit.

You may now assemble your pool. Assemble your pool so that the Verticals to which you attached the Fence Post Brackets are located in the area you want the "Walk Around" deck sections.

You must be very careful to assemble your pool in a way that will correctly position your deck upon completion.

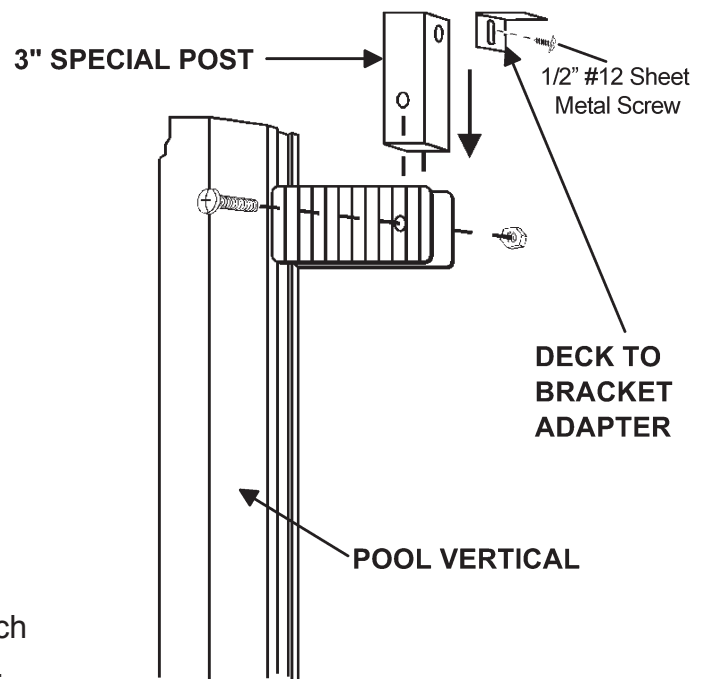
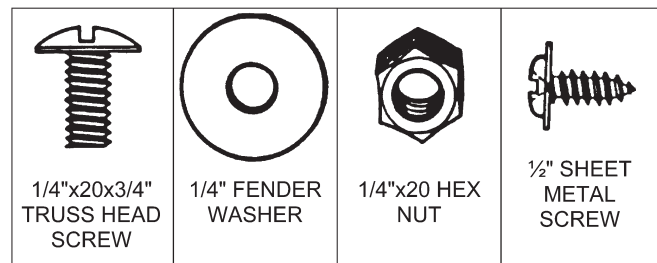
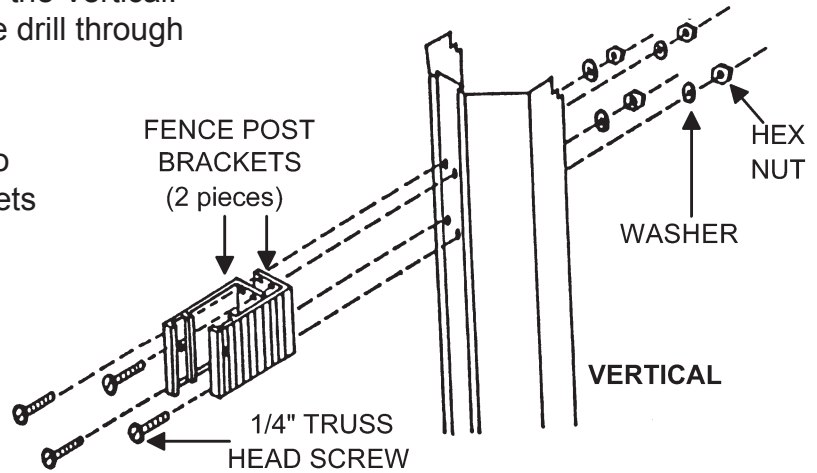
Refer to drawing on previous page.

Take this into account when you place your pools Verticals.

Do not install the top ledges of your pool.

Your deck will be installed instead of the ledges.

If your pool is already assembled you must remove the top ledges.



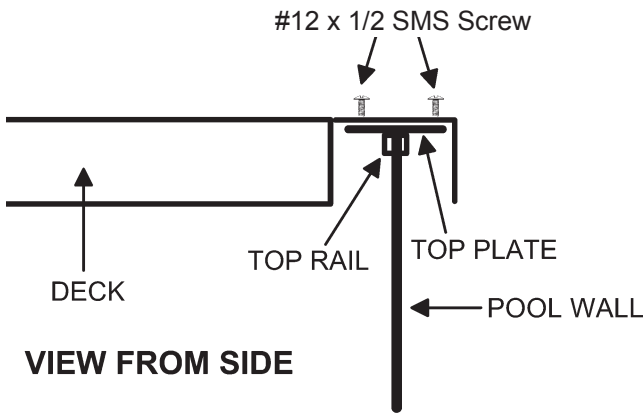
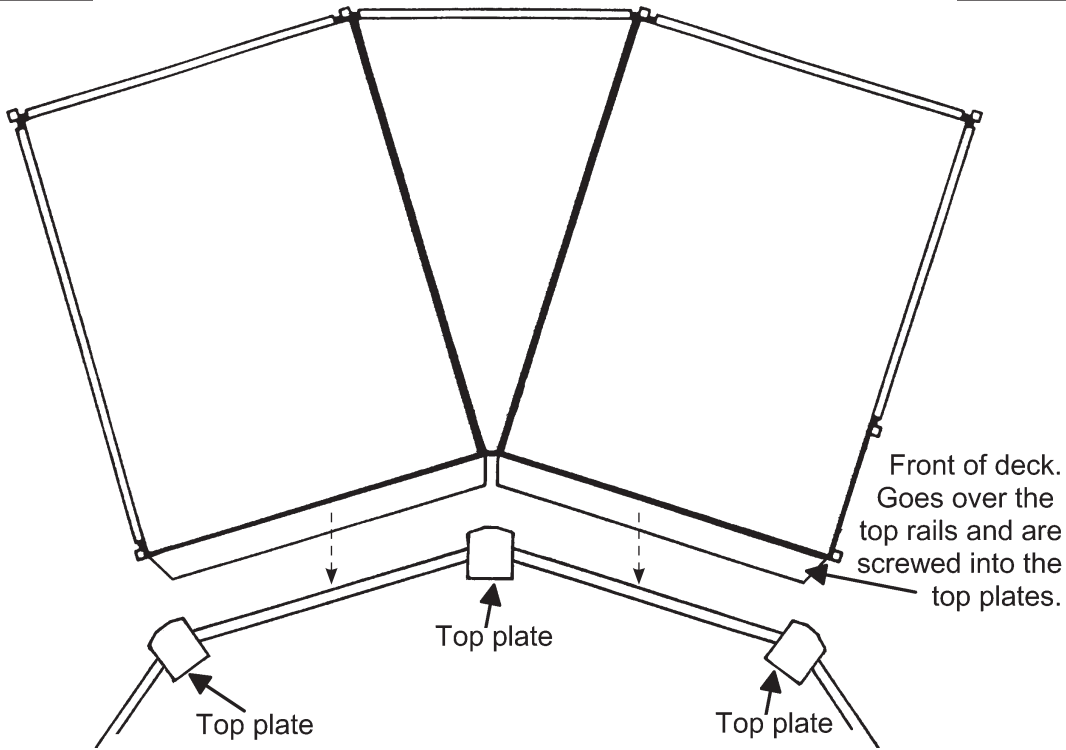
As pictured at right, attach one 3" Special Post to each of the pool Verticals having the Fence Post Brackets.

Use 2" Truss Head Screws and Hex Nuts. Tighten securely.

Attach one Deck To Bracket Adapter securely to each 3" Special Post as illustrated at right using one 1/2" #12 Sheet Metal Screw.

7

Attach your assembled deck to your pool as shown.
Move your deck into its final position.



Drill holes on top of the deck aligning with the holes of the top plates and tighten screws supplied for the removed ledges.

8

IMPORTANT: ONLY HAND TIGHTEN SCREWS AT THIS TIME

Your "Walk Around" Deck sections are identical to each other except for one Left Hand Walk Section and one Right Hand Walk Section.

Separate and identify these sections using the illustrations below.
The illustrations are as viewed from above the deck.



STANDARD WALK



LEFT HAND WALK



RIGHT HAND WALK

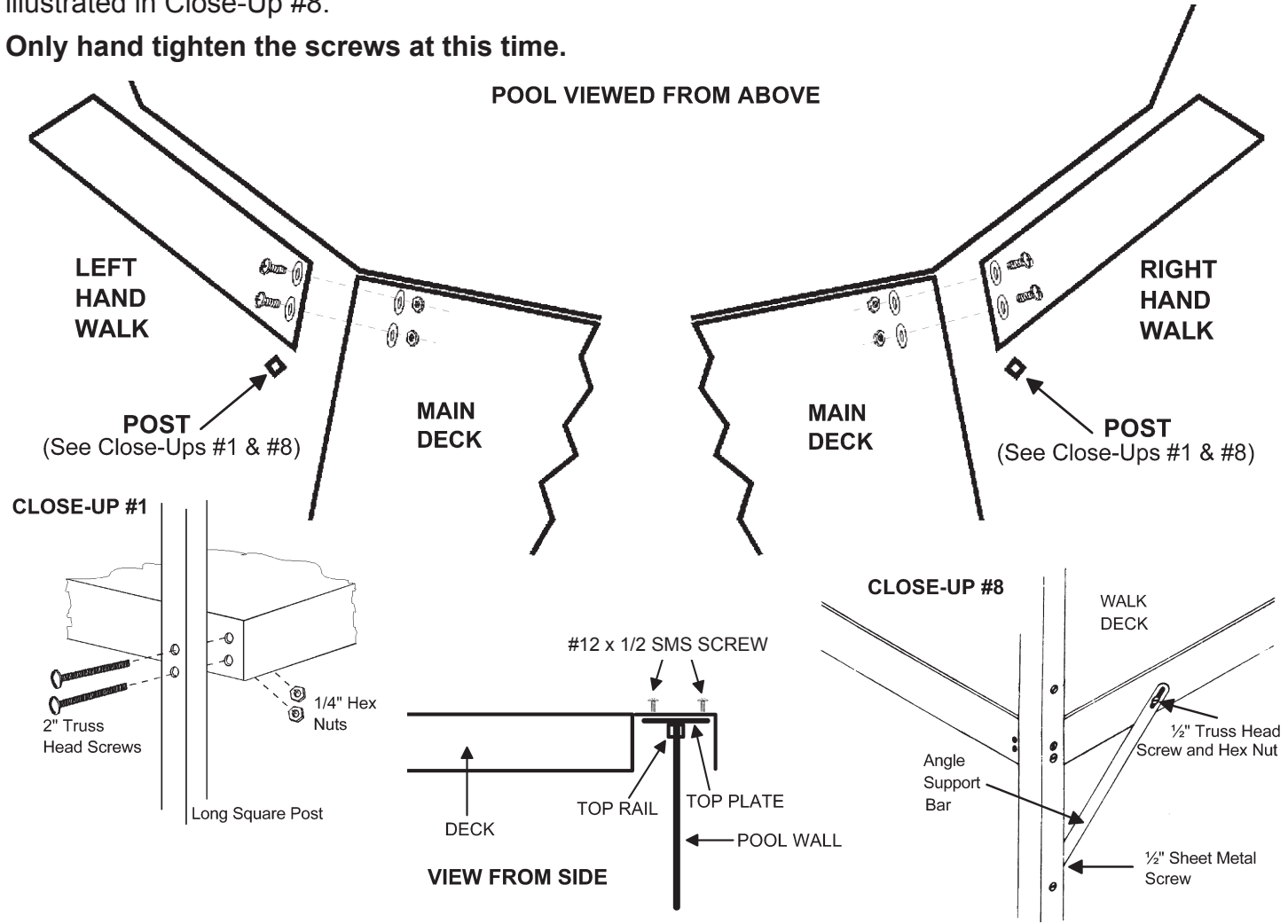
Place the Right and Left Walk sections over Top Plates of the pool as shown.

Attach the Right Hand Walk section and the Left Hand Walk section to the assembled main deck using four 1/4" x 1" Round Head Screws, Washers and Hex Nuts as shown below.

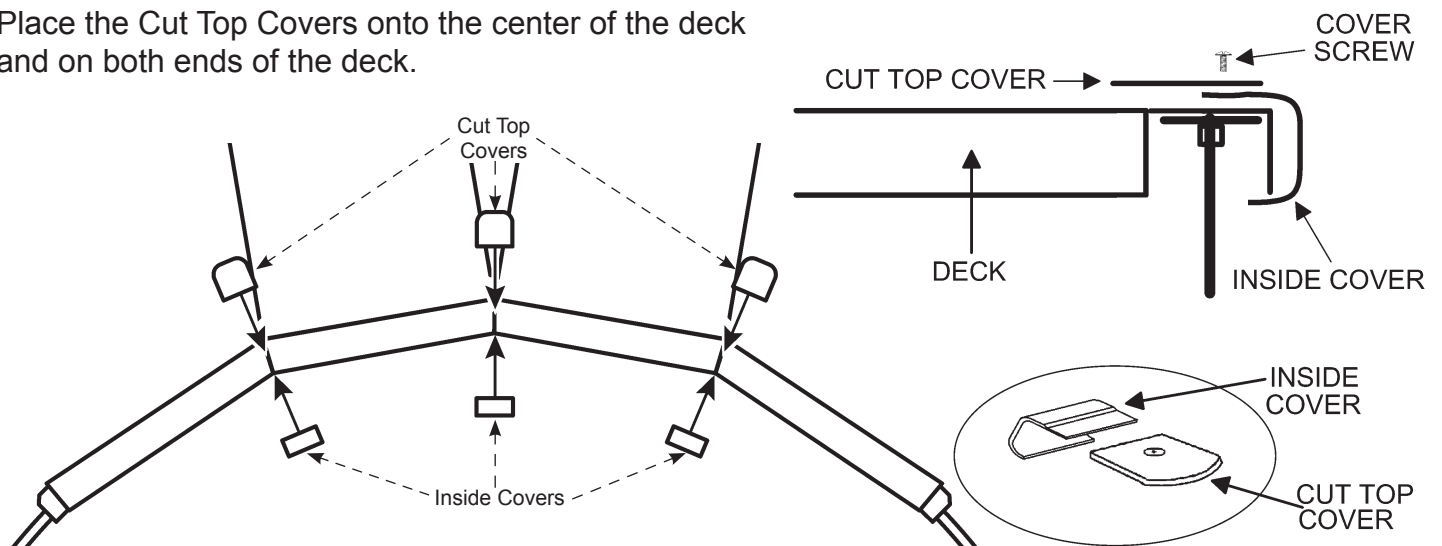
Bolt an 88 1/2" Post to both walk sections in the locations shown below using the hardware described in Close-Up #1.

Attach one Angle Support Bar to each of these Posts and to the Walk Sections of deck in the manner illustrated in Close-Up #8.

Only hand tighten the screws at this time.



Place the Cut Top Covers onto the center of the deck and on both ends of the deck.

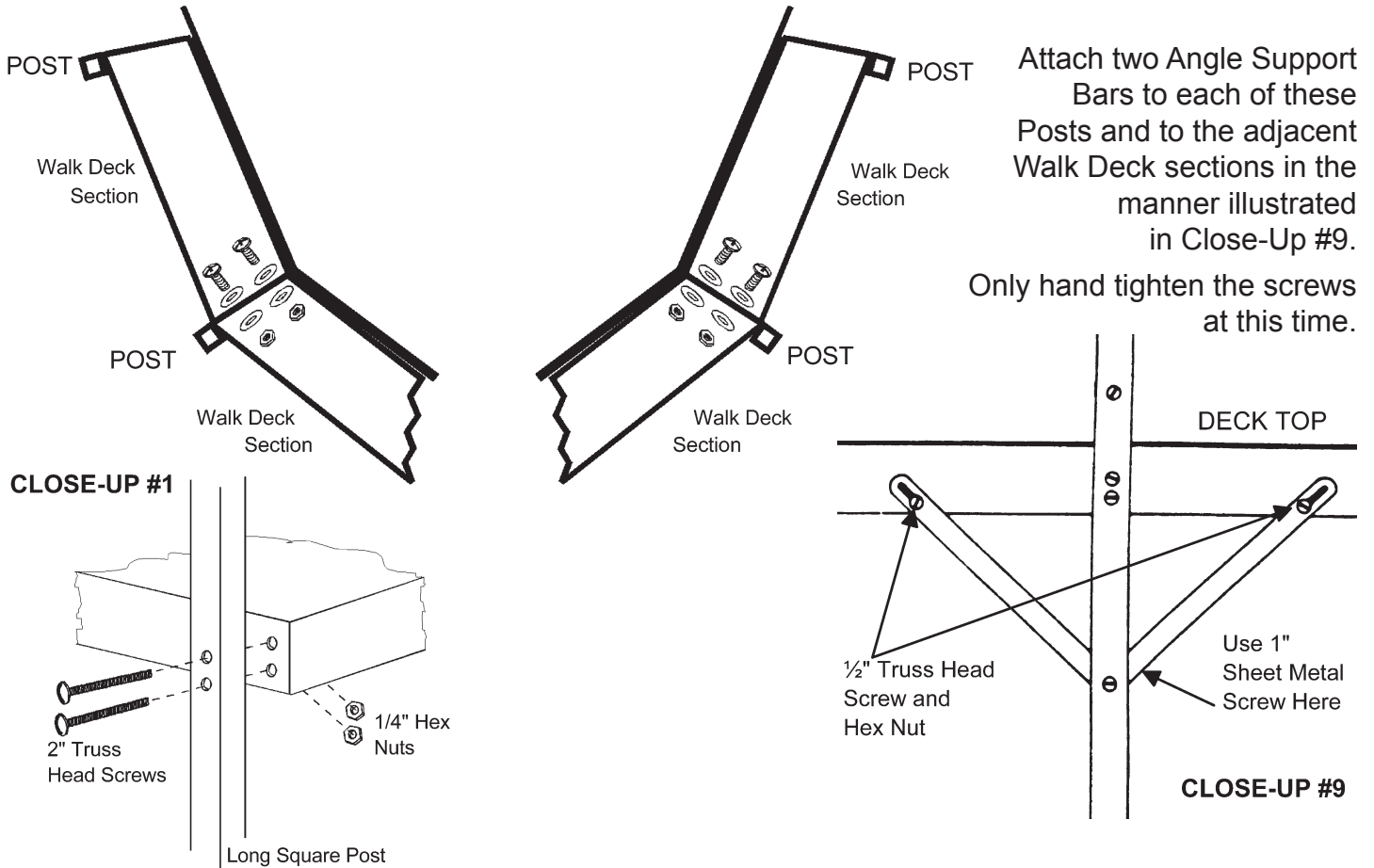


9

IMPORTANT: ONLY HAND TIGHTEN SCREWS AT THIS TIME

Place the remaining Walk Deck sections over the Top Plates and attach to each other all the way around your pool using two ¼" x 1" Round Head Screws, two Washers and two Hex Nuts for each deck section as shown below.

Bolt an 88½" Post to the outside end of each of the Walk Deck Sections as shown below using the hardware described in Close-Up #1.



10

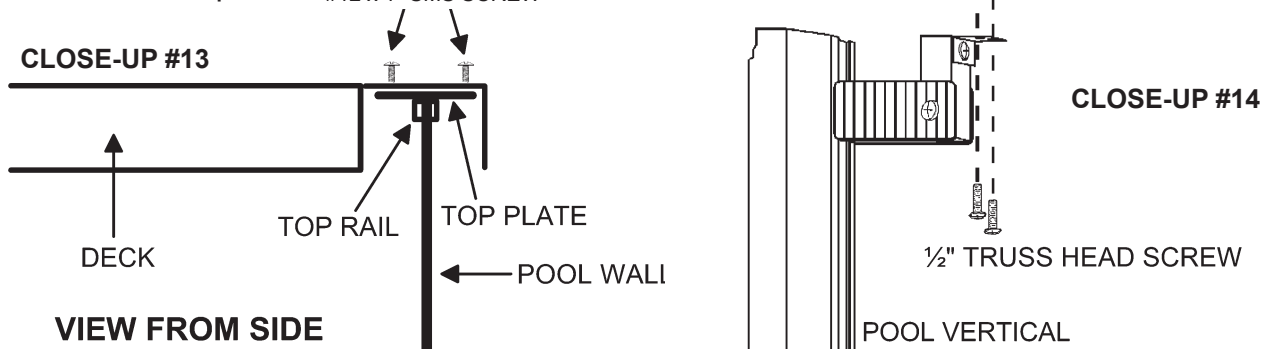
IMPORTANT: ONLY HAND TIGHTEN SCREWS AT THIS TIME

Attach all of the Walk Deck sections to the already assembled Deck To Bracket Adapters in the manner illustrated in Close-Up #14.

Drill holes on top of each Walk Deck section aligning with holes in the Top Plates.

Secure the Walk Deck sections to the Top Plates using the Sheet Metal Screws supplied with the pool.

Refer to Close-up #13. #12 x 1" SMS SCREW



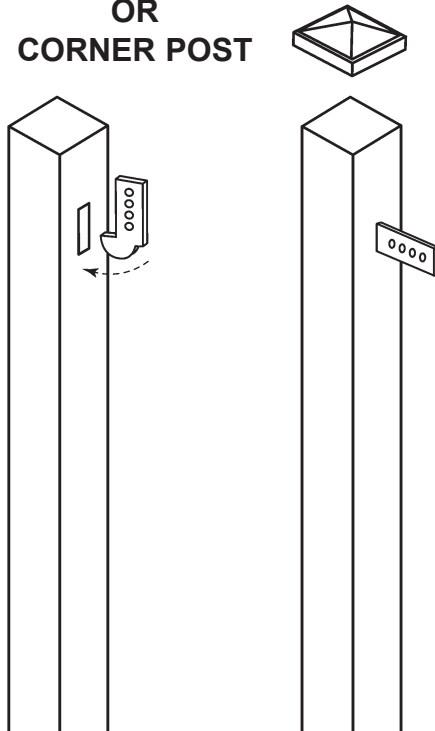
11

You should now make sure that all of the deck components assembled up to this point are level and properly positioned, then tighten all of the hardware securely!

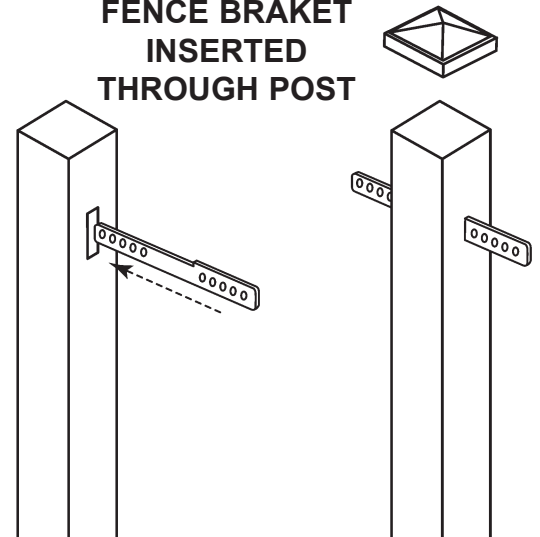
Attach the Universal Fence Brackets to the top of the End or Corner Posts simply by inserting the oval end into the slot in the Post and pressing down as shown.

Next, press one Post Cap to the top of each Post.

END POST OR CORNER POST



STANDARD POST FENCE BRACKET INSERTED THROUGH POST



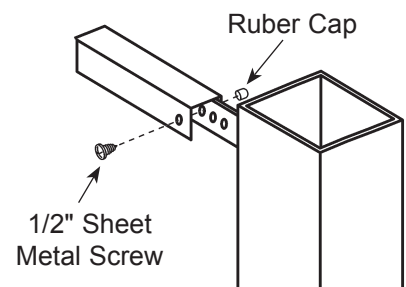
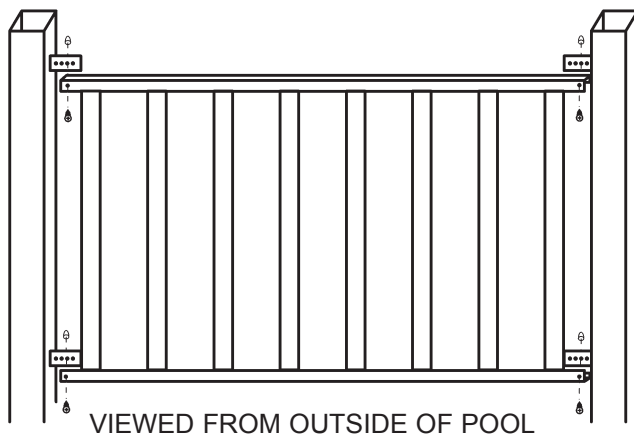
Attach the Straight Fence Brackets to the top of the Standard Posts simply by inserting the shorter end through the slots in the Post until it stops.

Next, press one Post Cap to the top of each Post.

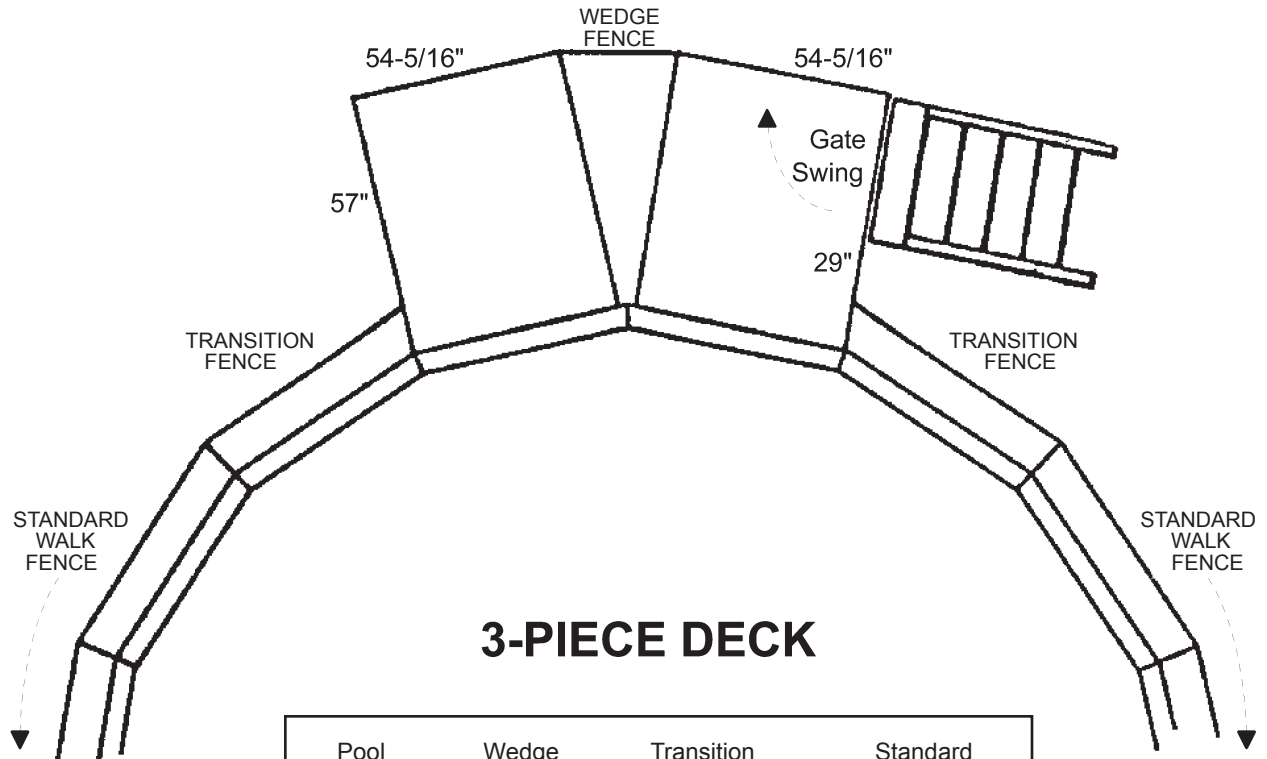
Use the illustrations on the next page to find the location of each size fence.

Attach the Fence portions to the Fence Brackets using the 1/2" Sheet Metal Screws as illustrated at the bottom.

Place one small plastic Screw Cover on the end of each screw.



Fence Placement Illustrations



3-PIECE DECK

Pool Size	Wedge Fence	Transition Fence	Standard Walk Fence
24'	29"	62½"	61"
27'	25-11/16"	61"	59¾"
30'	22"	59¾"	59¾"

Using the Latch, Latch Bar and Hinges as templates, drill the holes in the locations as illustrated at the bottom.

Drill a 5/32 hole for the Latch Bar and Self Closing Hinges. Drill a 7/64 hole for the Latch.

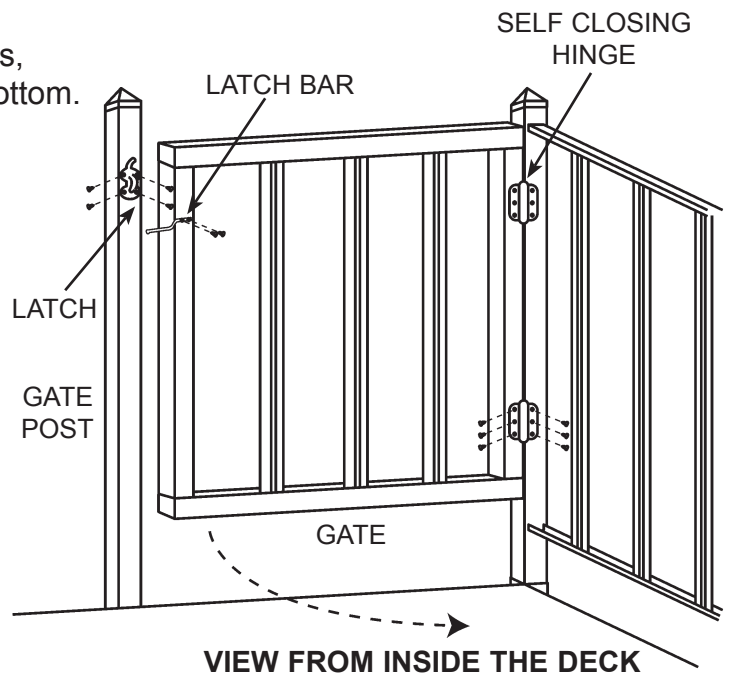
Mount the Hinges and the Gate using 1/2" long Self-Tapping Screws so that the Gate swings on to the deck in the direction of the rear fence.

Mount the Latch Bar to the Gate using the #10x1/2" Self-Tapping Screw.

Mount the Latch to the Gate Post using #6x3/8 long Self-Tapping Screws

(Note: the Latch mounts approximately 21/8" from the top of the Gate).

Test the Gate to insure that it is perfectly aligned and closes and completely latches by itself.



It is very important to periodically test and maintain the Gates proper functioning.

WARNING: Make sure that your pool is not accessible when not in use!!!

12

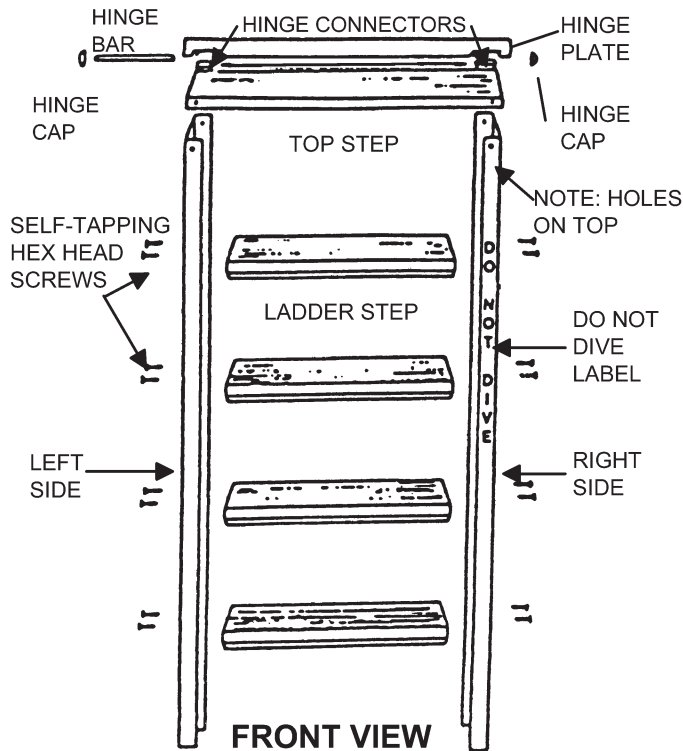
GROUND TO DECK LADDER INSTRUCTIONS

Assemble the four steps to your ladder side rails using the (16) # 14 x 1" self tapping hex head screws. Insert the screws through the ladder side rails and tighten securely to the screw receiver on the underside of the steps.

Slide the two hinge connectors into the slots on the rear side of the top step.

Place the top step on top of the ladder side rails and aligning the holes, insert the (2) 1/4 x 20 x 1/2" long truss head screw through the hinge connector, top step, and the ladder side rails. Fasten with the (2) 1/4 x 20 hex nuts from underneath the top step.

Repeat this procedure for the front of the top step only inserting the screws through the top step and the ladder side rail.



Attach the two handrails to the ladder side rails. Mark the four holes in the side rail and drill through the side rail using a 5/16" drill bit.

Insert the plastic caps over each end of the handrails and attach the handrails to the side rail using the (4) 1/4 x 20 x 2" screws and nuts on each handrail.

Attach the hinge plate to the ladder by inserting the hinge bar through the hinge plate and the two hinge connectors assembled onto the ladder.

Using a hammer gently tap on the two hinge caps onto the exposed ends of the hinge bar.

Position the ladder on the deck. Drill through the hinge plate and the face of the deck using a 5/16" drill bit and attach the ladder to the deck using (2) 1/4 x 20 x 1/2" screws and nuts provided.

Attach the two remaining hand rails to the outside of the two long posts along side the ladder by marking the two holes and drilling through the post using a 5/16" drill bit.

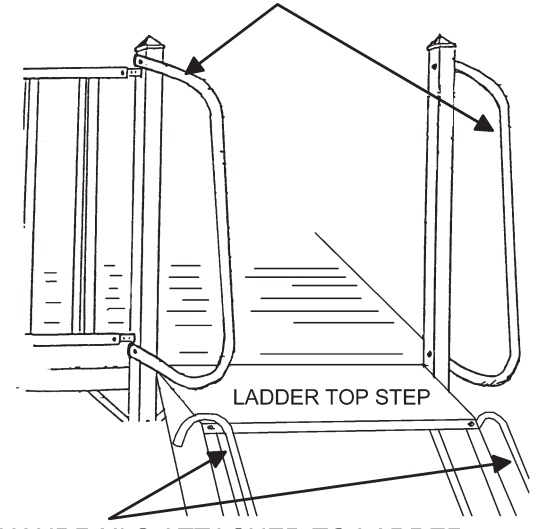
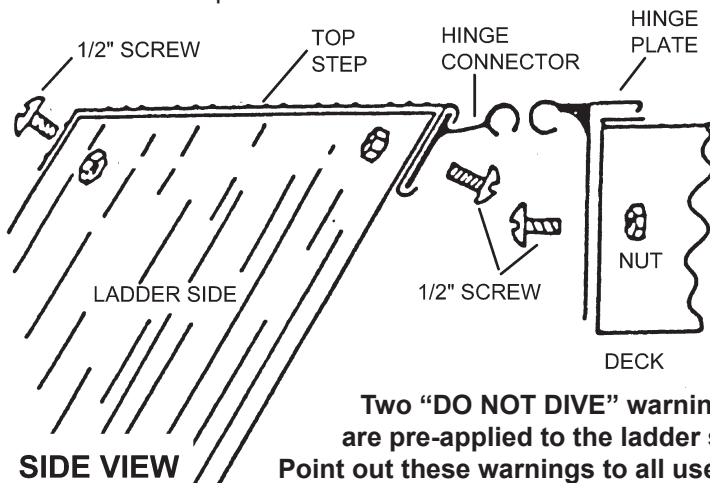
Insert the plastic caps over each end of the handrail and assemble the handrails to the post using the (2) 1/4 x 20 x 3" truss head screws and nuts on each handrail. Position these handrails so that a "HAND HOLD" is accessible from the bottom of the ladder to the top.

YOUR DECK SHOULD BE SECURED TO THE GROUND IN THE EVENT OF ANY STRONG WIND OCCURRENCES.

This may be easily done by driving tent stakes into the ground firmly catching the Bottom Support Channels near each Post.

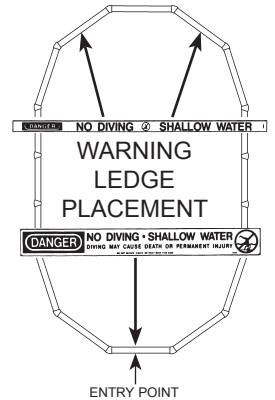
If supplied, assemble your In-Pool Ladder according to the instructions packed in it's carton.

HAND RAILS ATTACHED TO POSTS



13 WARNING LABELS

With your deck you are provided with 5 additional Warning Labels. One Large Label (#490090) is to be permanently affixed to the top of the pool's Top Ledge at the entry point of the pool. The two long, thin labels (#490091) are to be affixed on the inside of the pool's Top Ledge opposite to and facing the entry point of the pool. The two Square Labels (#490021) are to be affixed on the outside edge of the deck by the outside ladder. To affix these labels, simply clean the area where the label is to be applied and peel off the backing and press the label firmly into place. Should you need any additional Labels for any reason, simply order them by part number from your local dealer or direct from the manufacturer.



Consumer Awareness Booklets:

The following books are available through the National Pool & Spa Institute:
 "The Sensible Way To Enjoy Your Pool"...published by the NSPI, October 1983 (revised September 1986),
 "Children Aren't Waterproof"...published by the NSPI,
 "Pool & Spa Emergency Procedures For Infants And Children"...published by the NSPI.

Contact: APSP
 2111 Eisenhower Avenue, Alexandria, Virginia 22314
 (703) 838-0083



SWIM'N PLAY, INC.

Makers of Fine Above Ground Pools®

313 REGINA AVENUE
 RAHWAY, NEW JERSEY 07065-4891

Phone: (732) 574-1500 • Fax: (732) 574-1551

E-mail: info@swimnplay.com

www.swimnplay.com