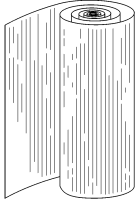


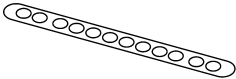
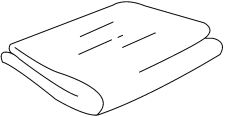

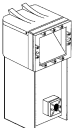

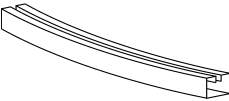


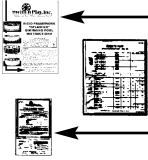



	Key	Description	Part No.	12 ft. x 42 in.	15 ft. x 42 in.	18 ft. x 42 in.
CARTON 1						
	1	12 ft. x 42 in. GRAY PRISM WALL	121654	1	-	-
		15 ft. x 42 in. GRAY PRISM WALL	121505	-	1	-
		18 ft. x 42 in. GRAY PRISM WALL	121506	-	-	1
	11	PLASTIC EDGING	350008	12	15	18
		DO NOT DIVE LABEL	490021	2	2	2
CARTON 2						
	2	42" CLOSURE BAR	200132	2	2	2
	3	12 ft. x 42 in. PORTHOLE LINER	250108	1	-	-
		15 ft. x 42 in. PORTHOLE LINER	250104	-	1	-
		18 ft. x 42 in. PORTHOLE LINER	250105	-	-	1
		42" LADDER	LGMAF 42	1	1	1
		DIRT EATER SKIM FILTER	DES F120	1	1	1
	7	40" WHITE STEEL VERTICAL	241434	12	14	16
	8	RAIL CONNECTOR	241223	24	28	32
	9	BOTTOM RAIL (MILL)	241503	12	-	-
		BOTTOM RAIL (MILL)	241522	-	14	-
		BOTTOM RAIL (MILL)	241523	-	-	16
	10	TOP RAIL (WHITE)	241499	12	-	-
		TOP RAIL (WHITE)	241435	-	14	-
		TOP RAIL (WHITE)	241514	-	-	16
		THANK YOU SHEET	420703	1	1	1

	Key	Description	Part No.	12 ft. x 42 in.	15 ft. x 42 in.	18 ft. x 42 in.
		INSTRUCTIONS	420288	1	1	1
		PACKING LIST	420704-13	1	1	1
		1 YEAR WARRANTY	420289	1	1	1

WALL CLOSURE HARDWARE

	12	1/2" TRUSS HEAD BOLT	460212	21	21	21
	13	1/4" HEX NUT	460030	21	21	21
	14	1/4" LOCKWASHER	460097	21	21	21

RAIL CONNECTOR HARDWARE

	15	1/2" SHEET METAL SCREW	460199	24	28	32
---	----	------------------------	--------	----	----	----

CARTON 3

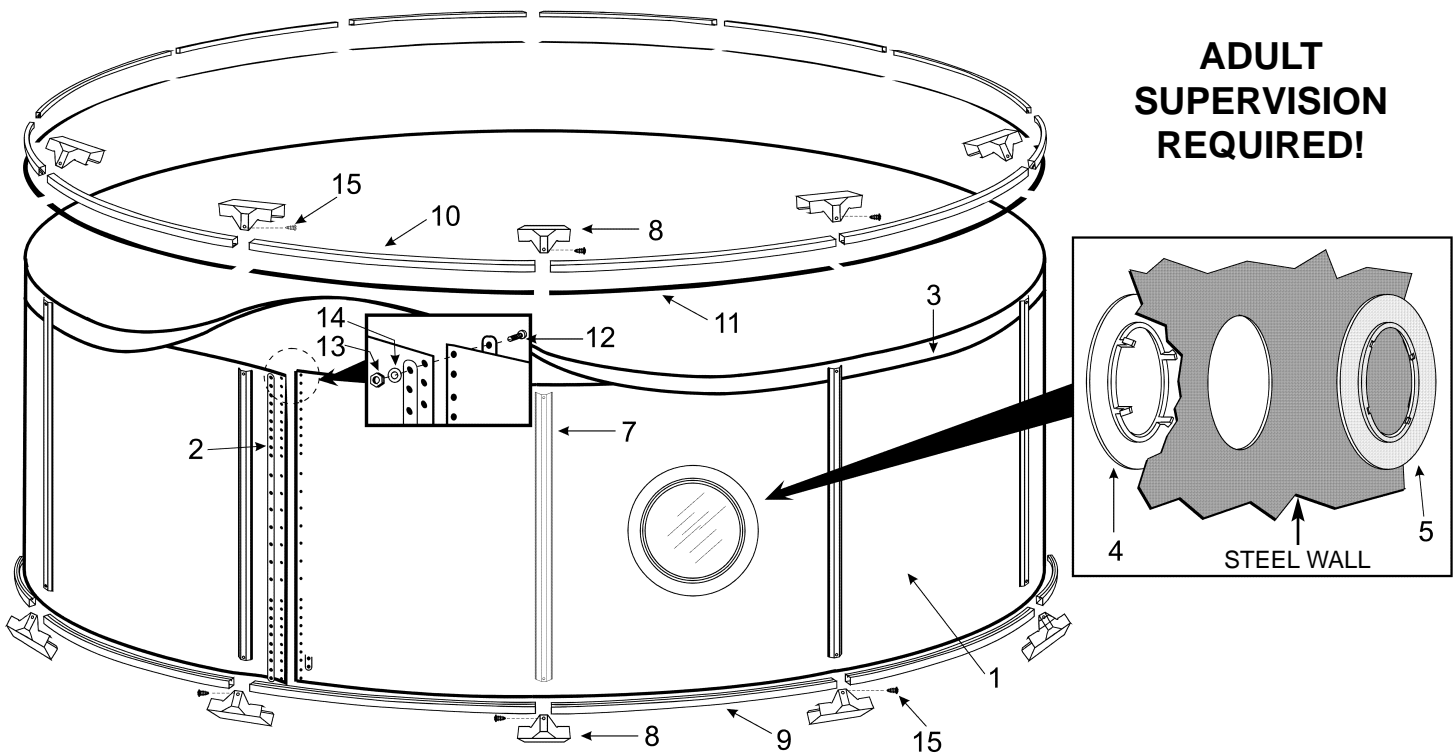
	4	PORT HOLE LENS	361000	1	1	1
	5	PORT HOLE RING	361001	1	1	1

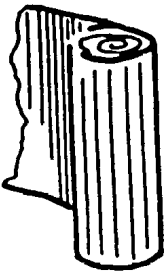
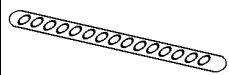

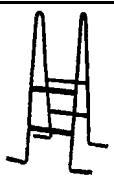

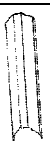
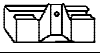
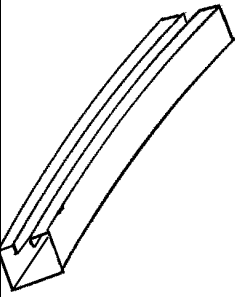

WARNING! POOLS ARE NOT DESIGNED FOR DIVING!

DANGER NO DIVING • SHALLOW WATER
DIVING MAY CAUSE DEATH OR PERMANENT INJURY



DO NOT DEFACE, COVER, OR PAINT OVER THIS SIGN



ITEM	KEY	DESCRIPTION	PART NO.	8 ft x 36 in.	10 ft x 36 in.	12 ft x 36 in.	15 ft x 36 in.	12 ft x 42 in.	15 ft x 42 in.	18 ft x 42 in.
	1	8' X 36" BLUE AQUA FRIENDS WALL	121032	1	-	-	-	-	-	-
		10' X 36" BLUE AQUA FRIENDS WALL	121033	-	1	-	-	-	-	-
		12' X 36" BLUE AQUA FRIENDS	120924	-	-	1	-	-	-	-
		15' X 36" BLUE AQUA FRIENDS	120925	-	-	-	1	-	-	-
		12' X 42" BLUE AQUA FRIENDS	120884	-	-	-	-	1	-	-
		15' X 42" BLUE AQUA FRIENDS	120885	-	-	-	-	-	1	-
		18' X 42" BLUE AQUA FRIENDS	121031	-	-	-	-	-	-	1
	2	36" CLOSURE BAR	200131	2	2	2	2	-	-	-
		42" CLOSURE BAR	200132	-	-	-	-	2	2	2
	3	8' x 36" LINER	250112	1	-	-	-	-	-	-
		10' x 36" LINER	250113	-	1	-	-	-	-	-
		12' x 36" LINER	250102	-	-	1	-	-	-	-
		15' x 36" LINER	250103	-	-	-	1	-	-	-
		12' x 42" LINER	250108	-	-	-	-	1	-	-
		15' x 42" LINER	250104	-	-	-	-	-	1	-
		18' x 42" LINER	250105	-	-	-	-	-	-	1
		36" LADDER	LG AF 36	1	1	1	1	-	-	-
		42" LADDER	LG AF 42	-	-	-	-	1	1	1
		DIRT EATER SKIM FILTER	DES F120	1	1	1	1	1	1	1
	4	33 1/2" WHITE STEEL VERTICAL	241498	9	11	12	16	-	-	-
		40" WHITE STEEL VERTICAL	241434	-	-	-	-	12	14	16
	5	RAIL CONNECTOR	241223	18	22	24	32	24	28	32
	6	BOTTOM RAIL (MILL)	241503	-	-	12	-	12	-	-
		BOTTOM RAIL (MILL)	241504	-	-	-	16	-	-	-
		BOTTOM RAIL (MILL)	241522	-	-	-	-	-	14	-
		BOTTOM RAIL (MILL)	241523	-	-	-	-	-	-	16
	7	TOP & BOTTOM RAIL (WHITE)	241233	18	-	-	-	-	-	-
		TOP & BOTTOM RAIL (WHITE)	241232	-	22	-	-	-	-	-
		TOP RAIL (WHITE)	241499	-	-	12	-	12	-	-
		TOP RAIL (WHITE)	241500	-	-	-	16	-	-	-
		TOP RAIL (WHITE)	241435	-	-	-	-	-	14	-
		TOP RAIL (WHITE)	241514	-	-	-	-	-	-	16
	8	PLASTIC EDGING	350008	8	10	12	15	12	15	18

ITEM	KEY	DESCRIPTION	PART NO.	8 ft x 36 in.	10 ft x 36 in.	12 ft x 36 in.	15 ft x 36 in.	12 ft x 42 in.	15 ft x 42 in.	18 ft x 42 in.
		INSTRUCTIONS	420288	1	1	1	1	1	1	1
		DO NOT DIVE LABEL	490021	2	2	2	2	2	2	2
		PACKING LIST	420618	1	1	1	1	1	1	1
		1 YEAR WARRANTY	420289	1	1	1	1	1	1	1

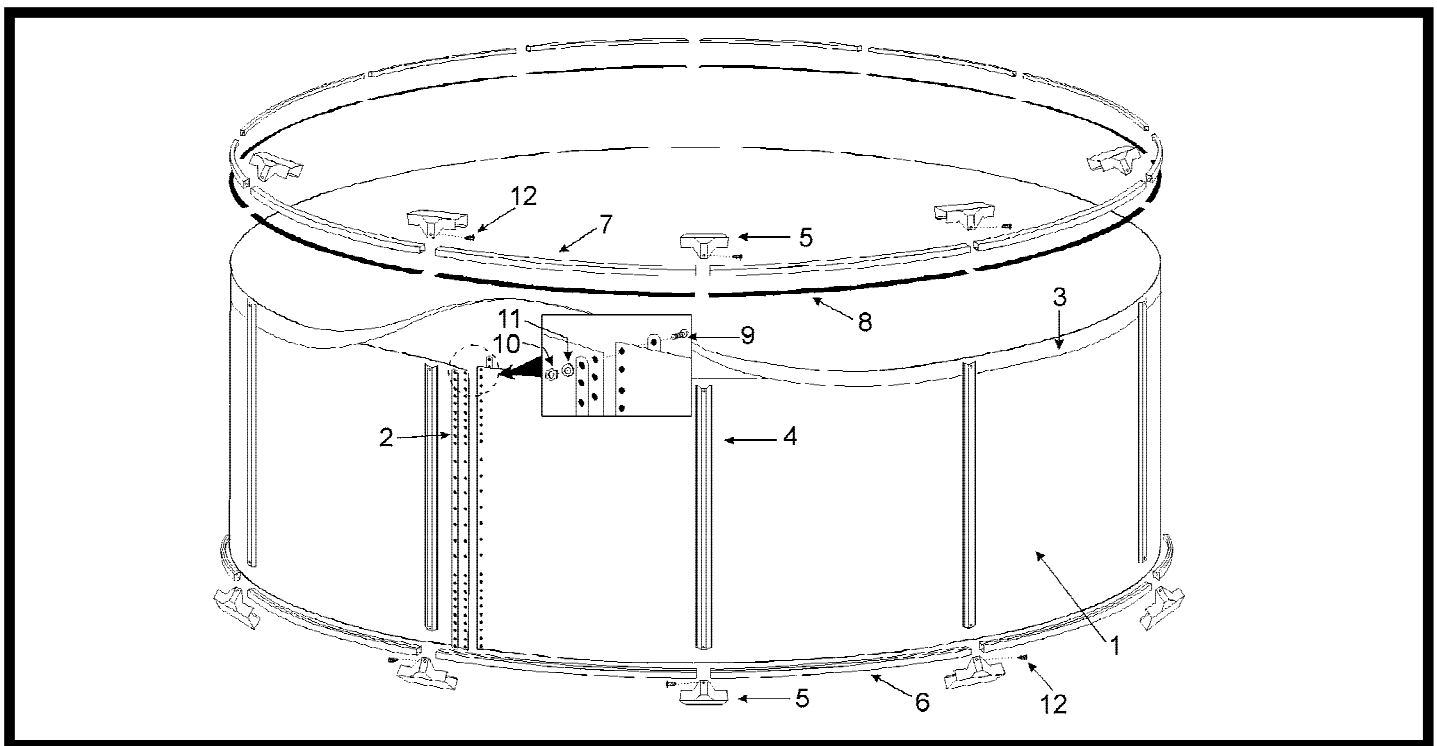
WALL CLOSURE HARDWARE

	9	1/2" TRUSS HEAD BOLT	460212	15	15	15	15	21	21	21
	10	1/4" HEX NUT	460030	15	15	15	15	21	21	21
	11	1/4" LOCKWASHER	460097	15	15	15	15	21	21	21

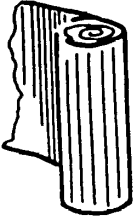
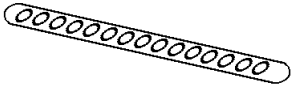

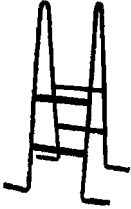
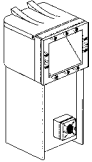
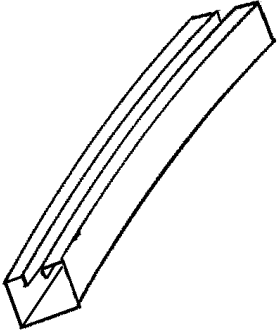
RAIL CONNECTOR HARDWARE


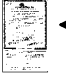


	12	#12 x 1/2" SHEET METAL SCREW	460199	18	22	24	32	24	28	32
--	-----------	------------------------------	--------	----	----	----	----	----	----	----

Warning! Pools are not designed for diving!

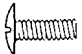




Aqua Family Club

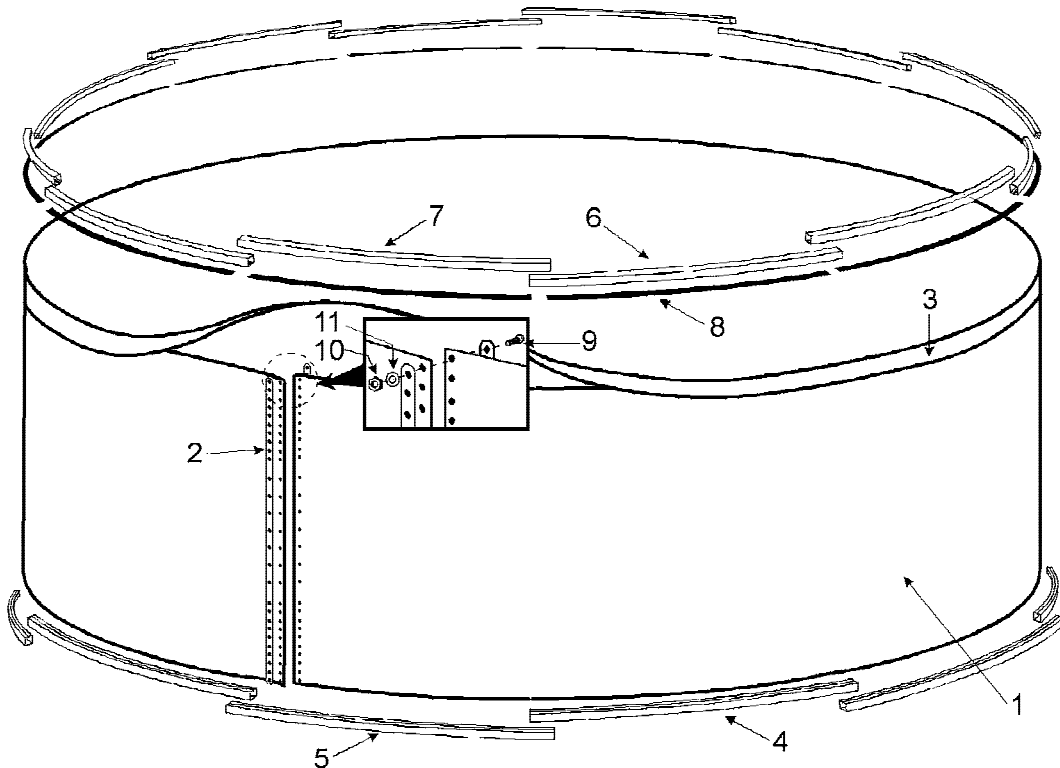
ITEM	KEY	DESCRIPTION	PART NO.	12 ft. x 36 in.	15 ft. x 36 in.
	1	12' x 36" SOLID BLUE WALL	120754	1	-
		12' x 36" SOLID WHITE WALL	120756		
		15' x 36" SOLID BLUEWALL	120755	-	1
		15' x 36" SOLID WHITE WALL	120757		
	2	36" CLOSURE BAR	200131	2	2
	3	12' x 36" LINER	250100	1	-
		15' x 36" LINER	250101	-	1
		36" LADDER	LG AF 36	1	1
		DIRT EATER SKIM FILTER	DES F120	1	1
	4	BOTTOM RAIL (MILL) 34 3/8"	241483	7	-
		BOTTOM RAIL (MILL) 34 1/2"	241485	-	9
	5	BOTTOM RAIL (MILL) 32 3/8"	241482	7	-
		BOTTOM RAIL (MILL) 32 1/2"	241484	-	9
	6	TOP RAIL (WHITE) 34 3/8"	241495	7	-
		TOP RAIL (WHITE) 34 1/2"	241497	-	9
	7	TOP RAIL (WHITE) 32 3/8"	241494	7	-
		TOP RAIL (WHITE) 32 1/2"	241496	-	9

ITEM	KEY	DESCRIPTION	PART NO.	12 ft. x 36 in.	15 ft. x 36 in.
	8	PLASTIC EDGING	350007	12	15
		INSTRUCTIONS	420288	1	1
		DO NOT DIVE LABEL	490021	2	2
		PACKING LIST	420619	1	1

WALL CLOSURE HARDWARE

	9	3/4" TRUSS HEAD BOLT	460212	15	15
	10	1/4" HEX NUT	460030	15	15
	11	1/4" LOCKWASHER	460097	15	15

Warning! Pools are not designed for diving or jumping!



PART NUMBER 420619